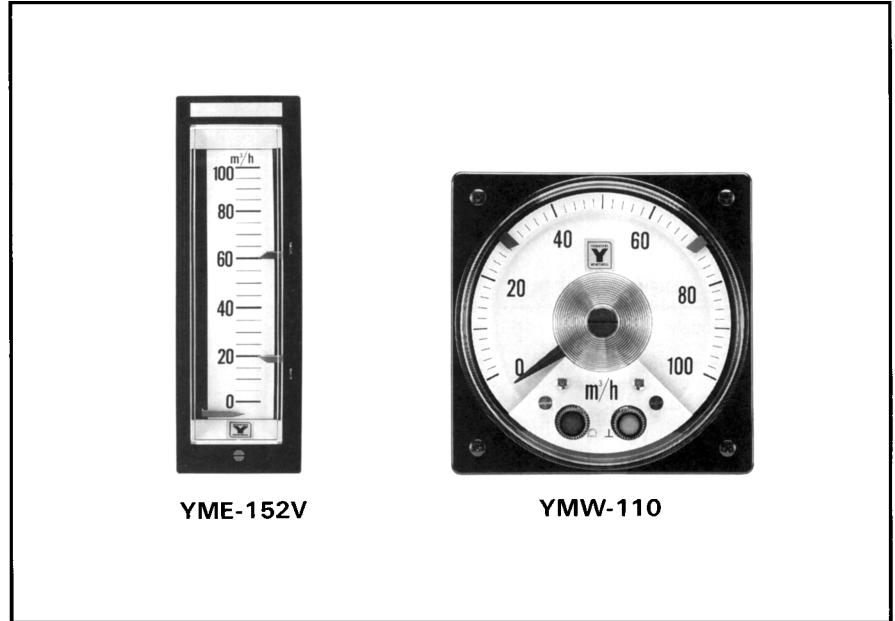


Moving-Coil Type Current or Voltage Signal Indicator (W/Alarm) Model YME-152, YMW-110

Introduction

Moving-coil Type Indicators (YME/YMW) are a current or voltage signal indicator with alarm function, which accept an analog (4 to 20mA DC or 1 to 5V DC) signal and indicates it on a vertical or horizontal (YME), or wide-angle scale (YMW).

They provide a combination of moving-coil type indicating facility and photo-electric relay to allow a desired alarm setting.



YME-152V

YMW-110

Specifications

Item	Model number	Current signal indicator		Voltage signal indicator	
		YME-152	YMW-110	YME-152	YMW-110
Indicating section	Indicating type	Vertical or horizontal	Wide-angle (230°)	Vertical or horizontal	Wide-angle (230°)
	Input	4~20mADC		1~5VDC	
	Input impedance	10Ω or less		1MΩ or more	
	Scale length	100mm	170mm	100mm	170mm
	Scale range	0 to 100% even or 0 to 10√ (square root)			
	Scale character (numeric)	Maximum 3 digits (excluding decimal point), and for those exceeding three digits, uses a factor.			
	Accuracy	±1.5%FS			
Characteristic	Complies with JIS C1102 Indicating Electric Instrument.				
Common section	Power supply	100/110V AC, 200/220V AC (50/60Hz), 24V DC±10%			
	Power consumption	3W or less (w/alarm, 2 points)			
	Ambient temperature	0~50°C			
	Ambient humidity	10 to 90%RH (w/o condensation)			
	Mounting	Panel-mount (Close-contact mount available. YME-152V: Side-to-side close-contact mount possible, YME-152H: Bottom-on-top close-contact mount possible.)			
	Weight	1.3kg	1.5kg	1.3kg	1.5kg
	Paint	(1) Dark beige (2) Black (3) Jade green			
Dimensions	Refer to Dimensions Drawing.				

Item	Model number	YME-152	YMW-110
Alarm section	Operating method	Photo-electric contact less, pointer passing type	
	Output signal	Output hold (output relay)	
	Setting index	Sword type H (upper limit): Red, L (lower limit): Green	
	Setting range	H: 5~100% of the scale, L: 0~95% of the scale	
	Setting facility	HL (upper and lower limits) or H (upper limit)	
	Minimum setting limit	3% of the scale length (between H and L)	
	Allowable pickup error	1.0% of the scale length	
	Dead band	0.5% of the scale length	
	Influence by temperature	0.3% or less (change in pickup value/23°C±10°C)	
	Influence by power voltage	0.3% or less (change in pickup value/±10% of rated voltage)	
	Output relay	One transfer for contact H or L	
	Contact rating	230V AC 2.5A, 30V DC 2.5A (at resistive load)	
	Others	Complies with JEMIS 018.	
	Dielectric strength	1500V AC (between terminal and case, 1 minute)	

Model Number Table

Ex. YMW-110-41HL1

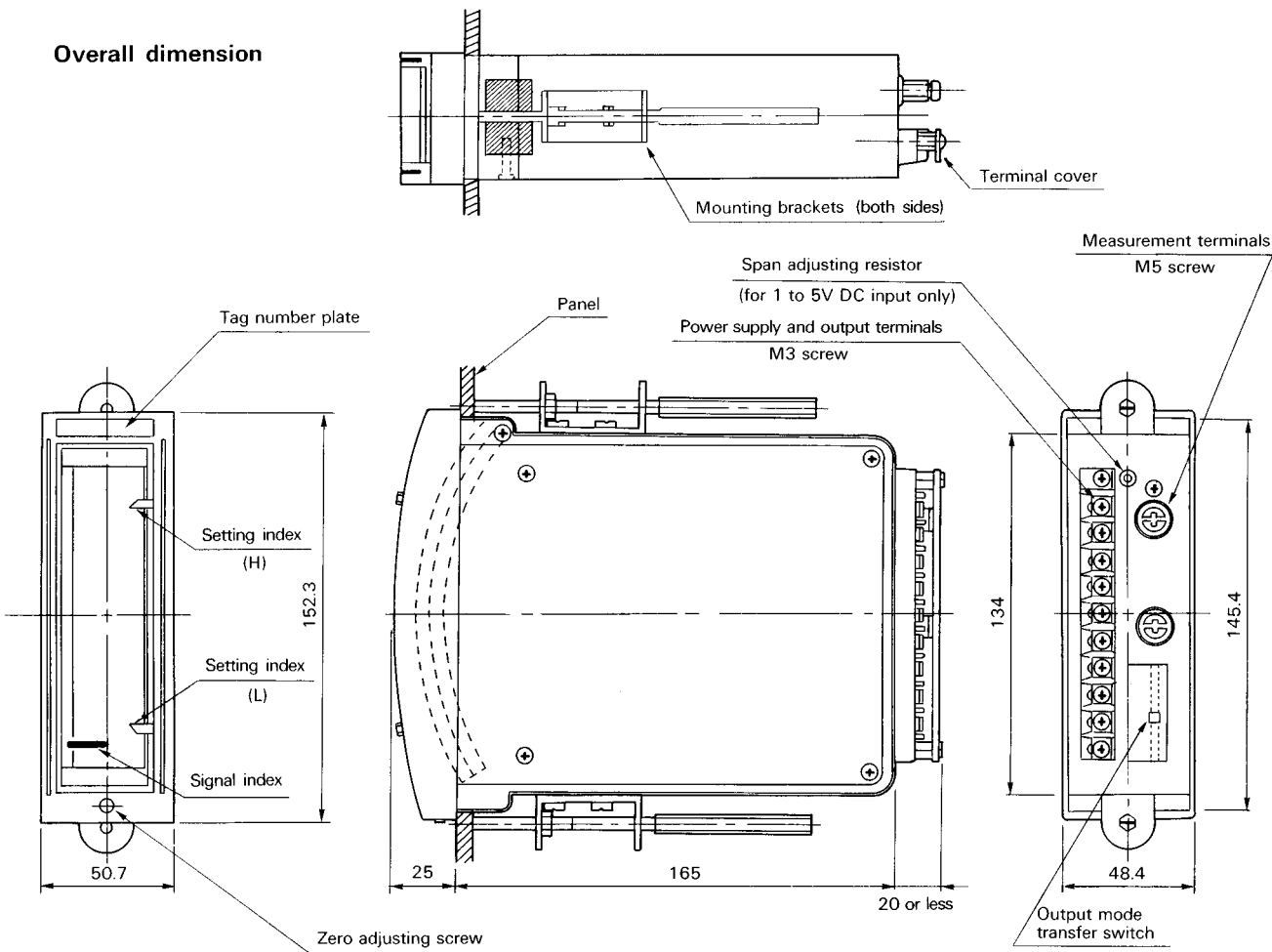
Basic model number	Selections				Description
	Input	Power supply	Alarm	Paint	
YME-152V					Vertical indicator
YME-152H					Horizontal indicator (Semi-standard)
YMW-110					110mm wide-angle indicator
	-1				1 to 5V DC (Semi-standard)
	-4				4 to 20mA DC
	-9				Special input (Refer to Table 1.)
		1			100/110V AC, 200/220V AC, 50/60Hz
		3			24V DC
			H		With 1-point alarm
			HL		With 2-point alarm
				1	Dark beige (Munsell 10YR4.7/0.5)
				2	Black (Munsell N1.2) (Semi-standard)
				3	Jade green (Munsell 7.5BG4/1.5) (Semi-standard)

Table 1. Special input range (For those other than this, consult us.)

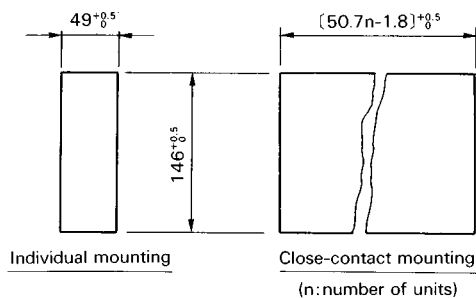
Model number	Current signal indicator		Voltage signal indicator	
	DC	AC	DC	AC
YME-152	500μA~5A	1mA~300mA, 1A, 5A	1V~300V	10V~300V
YMW-110	500μA~5A	1mA~300mA, 1A, 5A	3V~300V	10V~300V

(Unit:mm)

Overall dimension



Panel cutout dimensions



Terminal connection

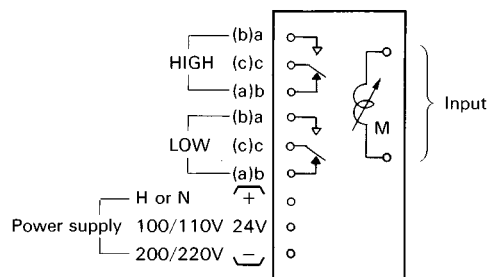
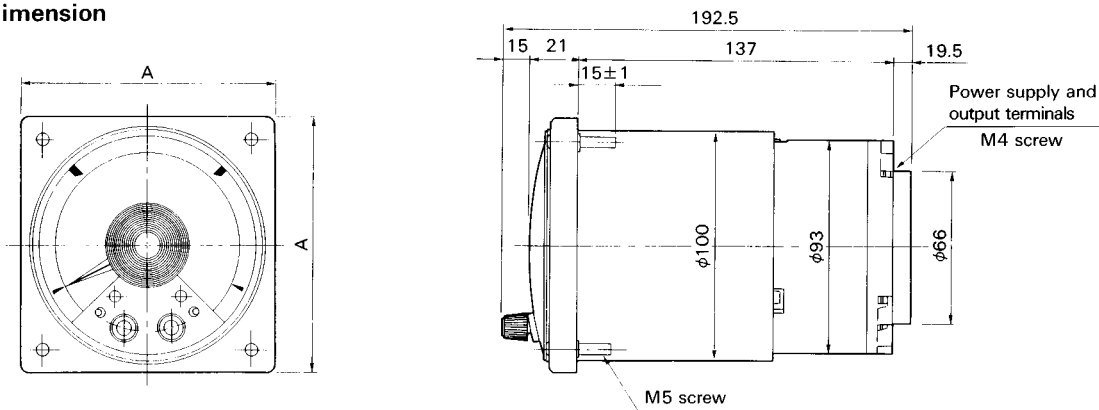
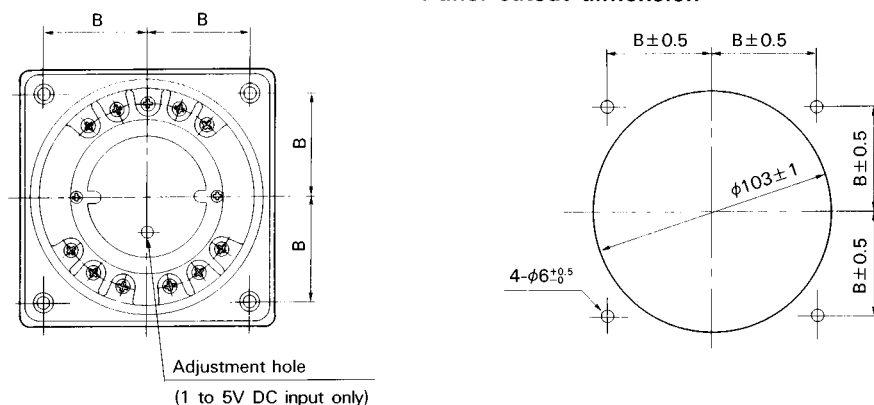


Figure 1. Dimensions and terminal connection drawings of YME

Overall dimension



Panel cutout dimension



Dimensions (mm)

Model number	A	B
YMW-110	110	45

Terminal connection

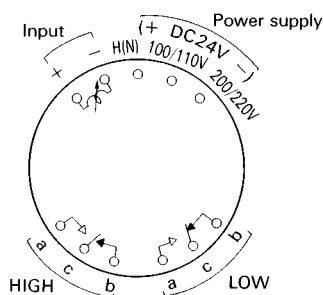


Figure 2. Dimension and terminal connection drawings of YMW

Specifications are subject to change without notice.



Yamatake Corporation

Totate International Building
 2-12-19 Shibuya
 Shibuya-ku Tokyo 150-8316
 Tel : 81-3-3486-2270
 Fax : 81-3-3486-2593

Yamatake-SIC Control Systems Co., Ltd.
 Shanghai Yamatake Jinshan Control Instruments Co., Ltd.
 Yamatake Korea Co., Ltd.
 Yamatake (Thailand) Co., Ltd.
 Yamatake Philippines, Inc.
 PT. Yamatake Berca Indonesia
 Yamatake Controls Singapore Pte. Ltd.
 YCV Corporation

: China 86-10-6326-9844/55
 : China 86-21-5793-5334
 : Korea 82-2-785-0280-2
 : Thailand 66-2-210-0900-7
 : Philippines 63-2-817-6452
 : Indonesia 62-21-230-5538/5539
 : Singapore 65-778-5966
 : U.S.A. 1-602-548-1800

Savemation

Saving through Automation

Yamatake Industrial Systems Co.,Ltd.

<http://www.yamatake.co.jp/>

This has been printed on recycled paper.

9908-Y/Y