

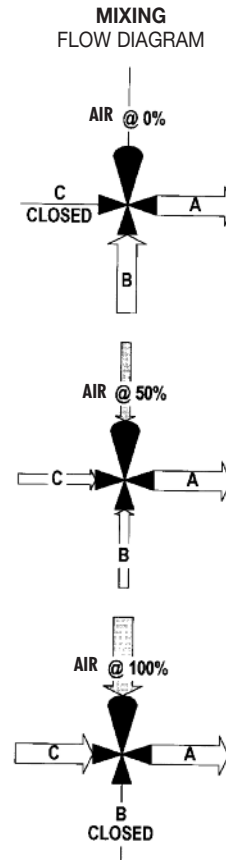
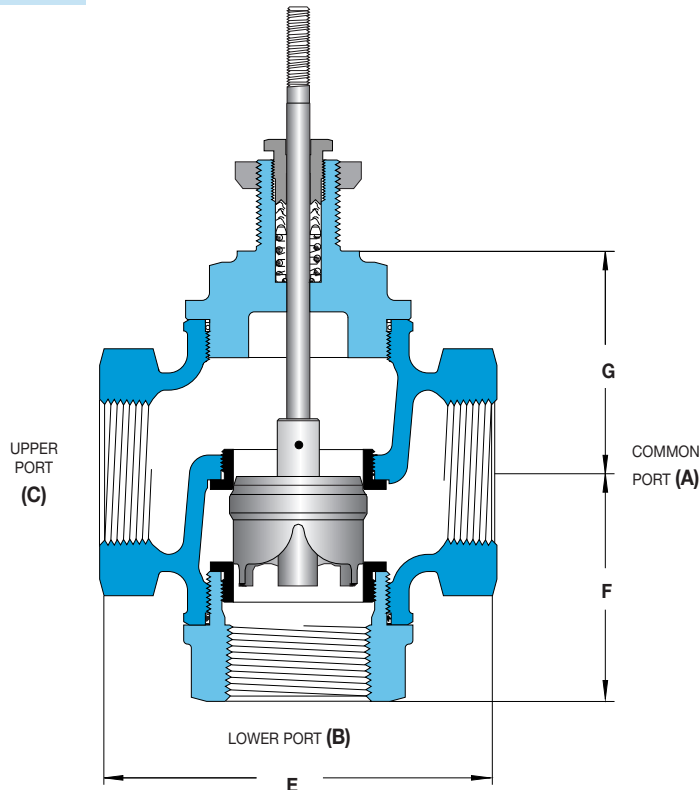
STAINLESS STEEL

Valve Body Selection (for 940 Series Heavy Duty Control Valve)

All dimensions are nominal. Dimensions in [] are in millimeters.

3-WAY • 1/2" – 2"

Mixing



CONTROL VALVES

Trerice 3-Way Valves are not designed for use in steam applications.
To properly control the mixing of two flows, inlet pressures at ports B and C should be as equal as possible.

Specifications

Body Material	Trim Material	Trim Style	Close-off	Connection	Pressure & Temperature Rating
Stainless steel	Stainless steel	Linear	Class IV	Threaded	515 PSI @ 400°F (204°C)

Valve Selection

Mixing				Maximum Close-Off Pressure (psid)		Dimensions			Approximate Shipping Wt.
Valve Body Number	Size		C _v	Actuator		E	F	G	
	Connection (NPT)	Nominal Port		940B	940B w/Positioner				
M18	1/2	1/2"	6.3	210	335	5.0 [127]	2.8 [71]	2.8 [71]	8 lbs [3.6 kg]
M25	3/4	3/4"	8.2	81	335	5.0 [127]	2.8 [71]	2.8 [71]	8 lbs [3.6 kg]
M34	1	1"	10	33	335	5.0 [127]	2.8 [71]	2.8 [71]	8 lbs [3.6 kg]
M56	1 1/2	1 1/2"	20	x	286	6.1 [155]	3.4 [86]	3.5 [89]	15 lbs [6.8 kg]
M67	2	2"	40	x	170	6.5 [165]	3.8 [97]	3.8 [97]	19 lbs [8.6 kg]