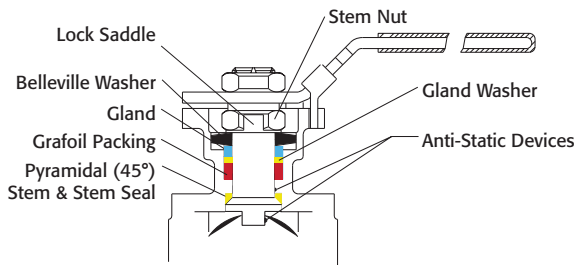


**API 607 - 6th Edition
CERTIFIED**



The F83 Series Firesafe 3-piece ball valves are the finest quality 3-piece valves on the market. The high quality investment castings feature a fully machined bore. The superior live-loaded packing system is accomplished with Belleville washers, Grafoil packing and a unique primary pyramidal stem seal. This advanced sealing system provides protection against stem leaks experienced by ordinary ball valves.

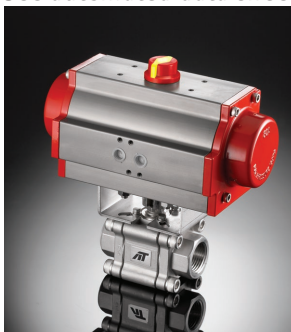


VALVE SIZE	VALVE Cv
1/4"	7
3/8"	8
1/2"	15
3/4"	40
1"	70
1-1/4"	110
1-1/2"	250
2"	430

RTFE seats are standard, but various options are available for seat materials. The 50/50 STFE seat option is excellent for services that call for higher temperatures and more difficult applications including steam. Call us for details.

Easy to Automate!

See automated data sheets for pre-sized assemblies



Pneumatic



Electric

AT A-T Controls, Inc.

Series F83

FIRESAFE

3-Piece Design

Sizes 1/4" - 2"

Full Port Design

Conforms to ASME B16.34

Classes up to 600

1000 to 2000 psi (BPVC) by size

316SS or WCB

Threaded, Socket Weld, or Butt Weld Ends

Superior Live Loaded Packing System

ISO 5211 Actuator Mounting Pad

Blowout Proof Stem w/ Dual Anti-Static Devices

RTFE Seats Standard

Pyramidal Stem Seal Design

Lockable Manual Handle

STANDARDS

DESIGN	ASME B16.34 (fully conforms)
END CONNECTIONS	ASME B16.25, B1.20.1, B16.11
PRESSURE TESTING	API 598
SULFIDE STRESS PROTECTION	NACE MR0175
FIRE TESTING	API 607-6th Edition
MOUNTING	ISO 5211
MARKING SYSTEM FOR VALVES	MSS SP-25, ISO 5209
MATERIAL CERTIFICATION	EN 10204-3.1 MTR
QUALITY ASSURANCE	ISO 9001:2015

HOW TO ORDER MANUAL VALVES

SAMPLE PART #

F83C-TH-0200-XXX-_-_-



See part number matrix for itemized options

SERIES F83 3-Piece

Firesafe

AT A-T Controls, Inc.

9955 International Blvd.
Cincinnati, Ohio 45246
www.atcontrols.com

PHONE (513) 247-5465
FAX (513) 247-5462
sales@atcontrols.com

Series F83

High Performance, Full Port
3-Piece Ball Valve
ISO 5211 Mounting Pad

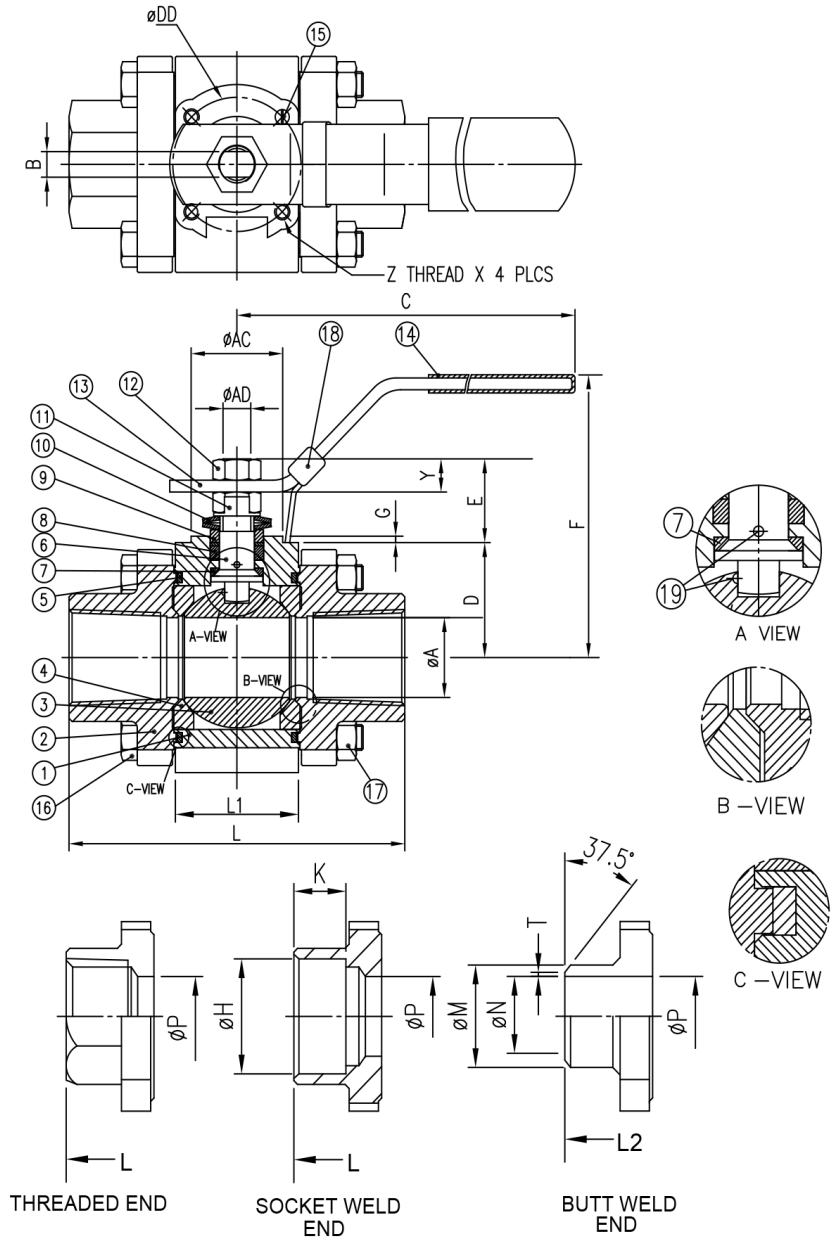
Class 400 to 600
960 to 1480 psi (by size)
1/4" to 2"

API 607 - 6th Edition
CERTIFIED

MATERIALS LIST

NO.	PART NAME	QTY	STAINLESS STEEL	CARBON STEEL	REPAIR KIT
1	BODY	1	ASTM A351 GRADE CF8M	ASTM A216 GRADE WCB	
2	TH END CAP	2	ASTM A351 GRADE CF8M	ASTM A216 GRADE WCB	
2	BW/SW END CAP	2	ASTM A351 GRADE CF3M	ASTM A216 GRADE WCB	
3	BALL	1	1/4" THRU 3/8" ASTM A276 SS316	1/4" THRU 3/8" ASTM A276 SS316	
3	BALL	1	1/2" THRU 4" ASTM A351 GRADE CF8M	1/2" THRU 4" ASTM A351 GRADE CF8M	
4	SEAT	2	RTFE	RTFE	✓
5	JOINT GASKET	2	GRAPHITE	GRAPHITE	✓
6	STEM	1	ASTM A276 SS316	ASTM A276 SS316	
7	STEM SEAL	1	GRAPHITE	GRAPHITE	✓
8	STEM PACKING	1	MG1241	MG1241	✓
9	GLAND BUSHING	1	GRAPHITE	GRAPHITE	
10	BELLEVILLE WASHER	2	AISI 301	AISI 301	
11	LOCK SADDLE	1	AISI 304	AISI 304	
12	STEM NUT	2	AISI 304	AISI 304	
13	HANDLE	1	AISI 304	AISI 304	
14	HANDLE SLEEVE	1	VINYL	VINYL	
15	STOP BOLT	1	AISI 304	AISI 304	
16	BODY BOLT	*	ASTM A193 GRADE B8	ASTM A193 GRADE B8	
17	BODY NUT	*	ASTM A194 GRADE 8	ASTM A194 GRADE 8	
18	HANDLE LOCK	1	AISI 304	AISI 304	
19	ANTI-STATIC DEVICE	2	AISI 316	AISI 316	
20	GLAND WASHER	1	RTFE	RTFE	✓

* 1/4" THRU 2" QTY = 4 PCS
* 2-1/2" QTY = 6 PCS



DIMENSIONS (IN)

SIZE	A	AC	AD	B	C	D	DD	E	F	G	H	K	L	L1	L2	M	N	P	T	Y	Z	ISO 5211	LBS
1/4"	0.39	0.98	0.37	0.256	5.28	1.17	1.417	0.29	2.53	0.02	0.56	0.39	2.55	0.81	2.55	0.56	0.36	0.39	0.06	0.24	M5	F03	1.5
3/8"	0.39	0.98	0.37	0.256	5.28	1.17	1.417	0.29	2.53	0.02	0.69	0.39	2.55	0.81	2.55	0.69	0.49	0.39	0.06	0.24	M5	F03	1.5
1/2"	0.59	0.98	0.37	0.256	5.28	1.14	1.417	0.63	2.81	0.08	1.86	0.39	2.85	0.81	2.95	1.85	0.59	0.59	0.06	0.29	M5	F03	1.5
3/4"	0.79	0.98	0.37	0.256	5.28	1.30	1.417	0.71	2.99	0.08	1.07	0.51	3.36	0.96	3.54	1.07	0.79	0.79	0.06	0.35	M5	F03	1.9
1"	0.98	1.18	0.44	0.315	6.69	1.56	1.654	0.97	3.39	0.08	1.33	0.51	4.15	1.24	4.33	1.34	0.98	0.98	0.06	0.43	M5	F04	3.2
1-1/4"	1.26	1.18	0.44	0.315	6.69	1.79	1.654	1.00	3.65	0.08	1.69	0.51	4.37	1.63	4.53	1.68	1.26	1.26	0.06	0.43	M5	F04	4.0
1-1/2"	1.50	1.38	0.56	0.382	8.15	2.09	1.969	1.19	4.30	0.07	1.93	0.51	5.01	1.91	5.12	1.91	1.50	1.50	0.06	0.48	M6	F05	5.7
2"	1.97	1.38	0.56	0.382	8.15	2.74	1.969	1.02	4.79	0.06	2.41	0.63	5.62	2.22	5.12	2.38	1.97	1.97	0.06	0.50	M6	F05	8.1

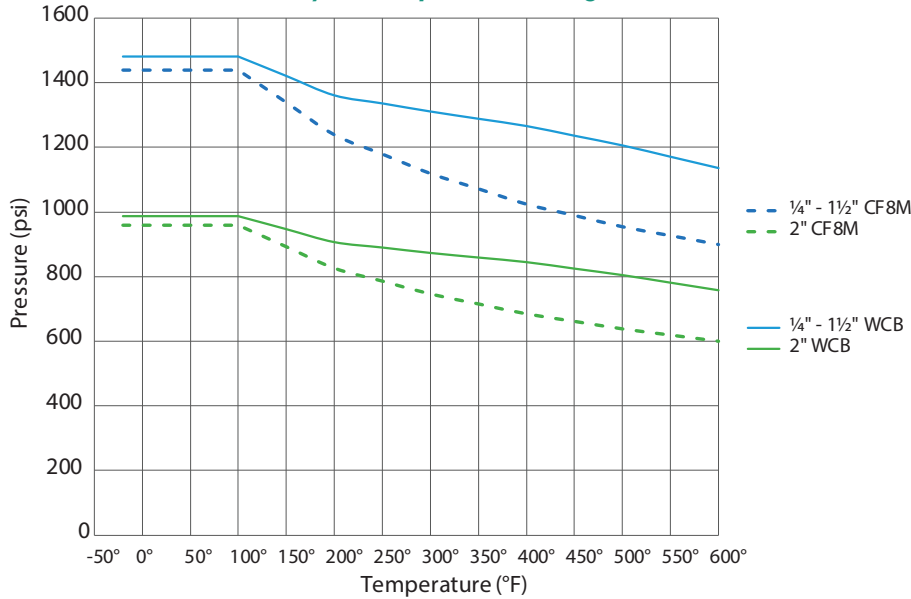
High Performance, Full Port
3-Piece Ball Valve
ISO 5211 Mounting Pad

Classes up to 600
1500 - 2000 psi
(by size)

Series F83

API 607 - 6th Edition
CERTIFIED

Pressure vs. Temperature | Series F83 Body & End Cap Pressure Ratings



Pressure Class B16.34 (2020)				
Size	CF8M		WCB	
	Class	Rating (psi)	Class	Rating (psi)
1/4"	600	1440	600	1480
3/8"	600	1440	600	1480
1/2"	600	1440	600	1480
3/4"	600	1440	600	1480
1"	600	1440	600	1480
1-1/4"	600	1440	600	1480
1-1/2"	600	1440	600	1480
2"	400	960	400	986

Pressure Class/Rating		
SIZE	ASME B16.34-2020 PRESSURE CLASS	BPVC*-2019 PRESSURE RATING (psig)
1/4" - 1"	600	2000
1-1/4" - 1-1/2"	600	1500
2"	400	1500

*ASME Boiler Pressure Vessel Code

Break Away Torque for RTFE Seats	
SIZE	IN-LBS.
1/2"	58
3/8"	58
1/2"	58
3/4"	83
1"	120
1-1/4"	171
1-1/2"	235
2"	398

Cv	
SIZE	Cv
1/4"	7
3/8"	8
1/2"	15
3/4"	40
1"	70
1 1/4"	110
1 1/2"	250
2"	430

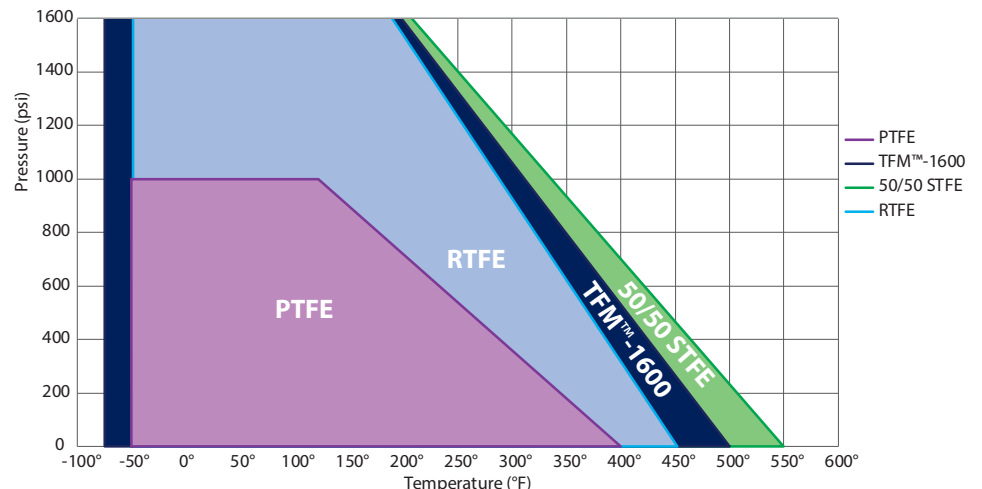
Published torques are based on full differential pressure with clean water. Consult the Application Sizing Guide for assistance with sizing actuators.

F83 Component Temperature Ratings		
COMPONENT	MATERIAL	TEMPERATURE
Packing	Graphite	-100°F to 1000°F
Stem Seal	TFM™-1600	-75°F to 500°F
Gaskets	Graphite	-100°F to 1000°F
Seats (Other Materials Available)	PTFE	-50°F to 400°F
	RTFE (standard)	-50°F to 450°F
	TFM™-1600	-75°F to 500°F
	50/50 STFE	-50°F to 550°F

NOTE:
At temperature, valves are limited by either the valve body/end cap pressure ratings, seat pressure ratings, or packing/stem seal/gaskets; whichever is lower.

Temp	Pressure - Seat Material			
	RTFE	STFE	PTFE	TFM-1600
-75°				2000
-50°	2000	2000	1000	2000
100°	2000	2000	1000	2000
122°	2000	2000	1000	2000
150°	1829	1869	899	1852
200°	1524	1636	719	1587
250°	1220	1402	540	1323
300°	915	1168	360	1058
350°	610	935	180	794
400°	305	701	0	529
450°	0	467		265
500°		234		0
550°		0		

Pressure vs. Temperature | Series F83 Seat Pressure Ratings



Pneumatic Double Acting Automated Ball Valve Package

Series F83 3-Piece Ball Valve

Firesafe

Sizes 1/4" - 2"

Full Port Design

Conforms to ASME B16.34

Classes up to 600
1000 to 2000 psi (BPVC) by size

316SST or WCB

TH, SW, or BW Ends

Superior Live Loaded Packing System

Blowout Proof Stem w/ Dual Anti-Static Devices

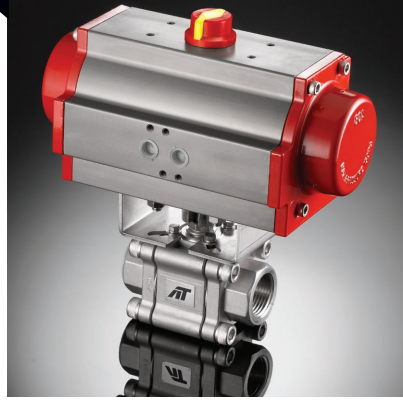
RTFE Seats Standard

Pyramidal Stem Seal Design

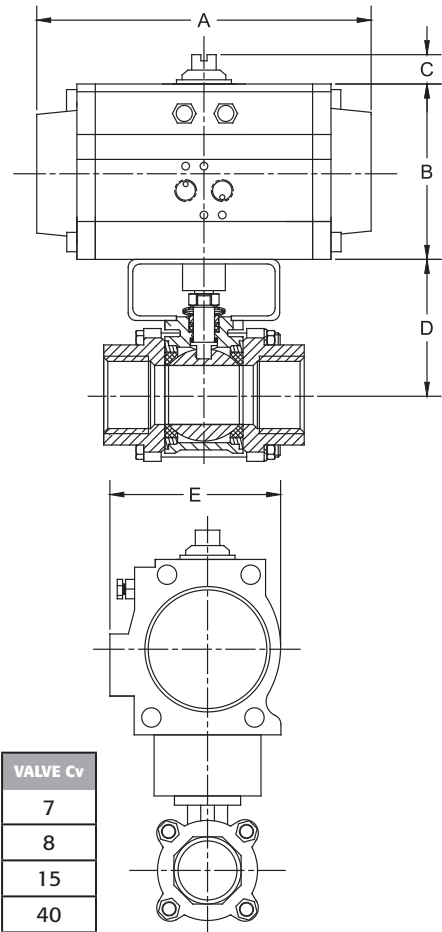
STANDARDS

DESIGN	ASME B16.34 (fully conforms)
END CONNECTIONS	ASME B16.25, B1.20.1, B16.11
PRESSURE TESTING	API 598
SULFIDE STRESS PROTECTION	NACE MR0175
FIRE TESTING	API 607-6th Edition
MOUNTING	ISO 5211
MARKING SYSTEM FOR VALVES	MSS SP-25, ISO 5209
MATERIAL CERTIFICATION	EN 10204-3.1 MTR
QUALITY ASSURANCE	ISO 9001:2015

API 607 - 6th Edition CERTIFIED



Firesafe tested to API-607 (valve only)



DIMENSIONS (IN)

VALVE SIZE	A	B	C	D	E	VALVE Cv
1/4"	5.98	2.76	0.79	2.65	2.58	7
3/8"	5.98	2.76	0.79	2.65	2.58	8
1/2"	5.98	2.76	0.79	2.65	2.58	15
3/4"	7.95	3.43	0.79	2.65	3.29	40
1"	7.95	3.43	0.79	2.78	3.29	70
1-1/4"	7.95	3.43	0.79	2.90	3.29	110
1-1/2"	9.29	4.49	0.79	3.13	4.41	250
2"	9.29	4.49	0.79	3.42	4.41	430

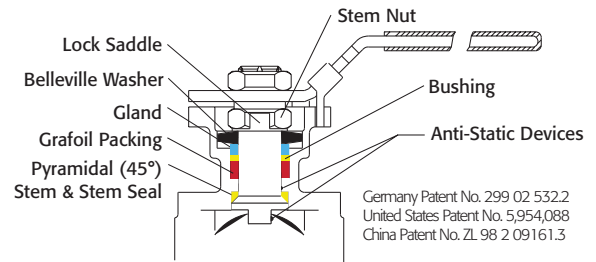
DIMENSIONS SHOWN ARE FOR ASSEMBLIES SIZED FOR 80 PSI SUPPLY

SERIES F83 3-Piece

Firesafe

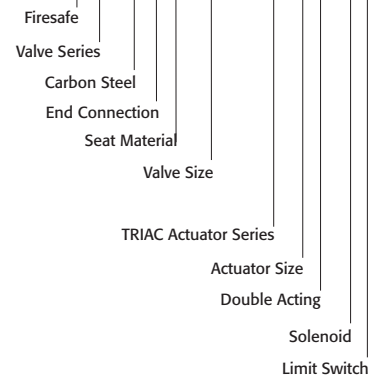
SIZED FOR 80 psi AIR SUPPLY	
SIZE	MODEL
1/4"	F83-TX-025/TR1D-XX
3/8"	F83-TX-038/TR1D-XX
1/2"	F83-TX-050/TR1D-XX
3/4"	F83-TX-075/2R2D-XX
1"	F83-TX-100/2R2D-XX
1-1/4"	F83-TX-125/2R2D-XX
1-1/2"	F83-TX-150/2R3D-XX
2"	F83-TX-200/2R3D-XX

SIZED FOR 60 psi AIR SUPPLY	
SIZE	MODEL
1/4"	F83-TX-025/TR1D-XX
3/8"	F83-TX-038/TR1D-XX
1/2"	F83-TX-050/TR1D-XX
3/4"	F83-TX-075/2R2D-XX
1"	F83-TX-100/2R2D-XX
1-1/4"	F83-TX-125/2R2D-XX
1-1/2"	F83-TX-150/2R3D-XX
2"	F83-TX-200/2R4D-XX



Germany Patent No. 299 02 532.2
United States Patent No. 5,954,088
China Patent No. ZL 98 2 09161.3

SAMPLE PART # F83C-TX-100/2R2D-XX



See valve part number matrix for complete part number and options.

OPTIONS

DESCRIPTION	PART NO. SUFFIX	DESCRIPTION	PART NO. SUFFIX
TYPE 4 Solenoid	(A)	TYPE 4 Limit Switch (2) spdt	(A)
TYPE 7 Solenoid	(B)	TYPE 7 Limit Switch (2) spdt	(B)
Intrinsically Safe Solenoid	(C)	Intrinsically Safe Limit Switch	(C)

Other options available - call for details
Actuators are sized based on clean/clear fluid.

Pneumatic Spring Return Automated Ball Valve Package

Series F83 3-Piece Ball Valve

Firesafe

Sizes 1/4" - 2"

Full Port Design

Conforms to ASME B16.34

Classes up to 600
1000 to 2000 psi (BPVC) by size

316SST or WCB

TH, SW, or BW Ends

Superior Live Loaded Packing System

Blowout Proof Stem w/ Dual Anti-Static Devices

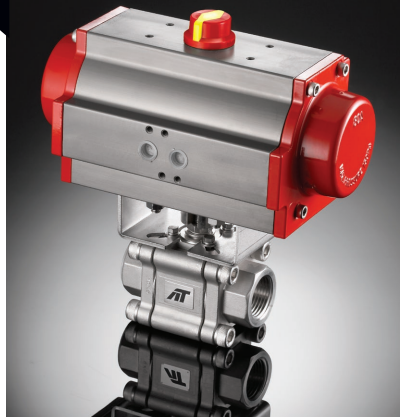
RTFE Seats Standard

Pyramidal Stem Seal Design

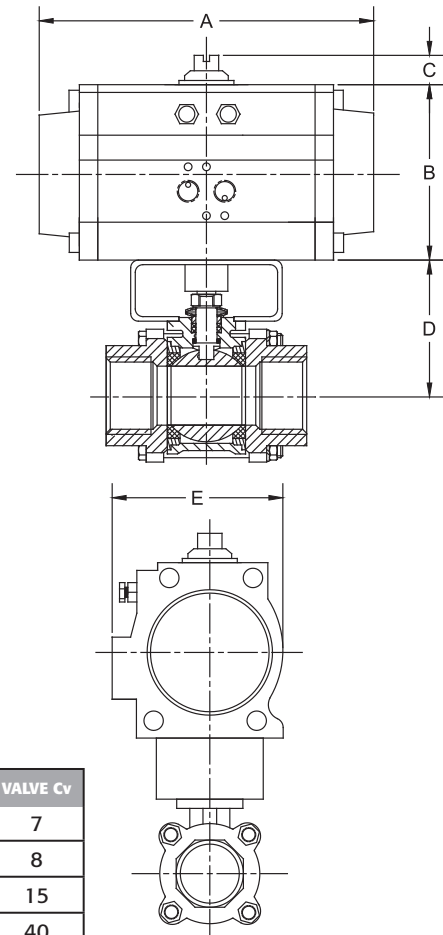
STANDARDS

DESIGN	ASME B16.34 (fully conforms)
END CONNECTIONS	ASME B16.25, B1.20.1, B16.11
PRESSURE TESTING	API 598
SULFIDE STRESS PROTECTION	NACE MR0175
FIRE TESTING	API 607-6th Edition
MOUNTING	ISO 5211
MARKING SYSTEM FOR VALVES	MSS SP-25, ISO 5209
MATERIAL CERTIFICATION	EN 10204-3.1 MTR
QUALITY ASSURANCE	ISO 9001:2015

**API 607 - 6th Edition
CERTIFIED**



Firesafe tested to API-607
(valve only)



DIMENSIONS (IN)

VALVE SIZE	A	B	C	D	E	VALVE Cv
1/4"	7.95	3.43	0.79	2.65	3.29	7
3/8"	7.95	3.43	0.79	2.65	3.29	8
1/2"	7.95	3.43	0.79	2.65	3.29	15
3/4"	7.95	3.43	0.79	2.62	3.29	40
1"	9.29	4.49	0.79	2.78	4.41	70
1-1/4"	9.29	4.49	0.79	2.90	4.41	110
1-1/2"	9.29	4.49	0.79	3.13	4.41	250
2"	10.87	4.88	0.79	3.42	4.82	430

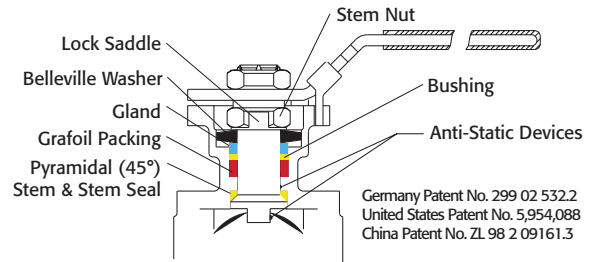
DIMENSIONS SHOWN ARE FOR ASSEMBLIES SIZED FOR 80 PSI SUPPLY

SERIES F83 3-Piece

Firesafe

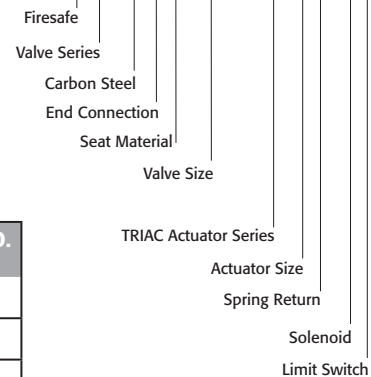
SIZED FOR 80 psi AIR SUPPLY	
SIZE	MODEL
1/4"	F83-TX-025/2R2S-XX
3/8"	F83-TX-038/2R2S-XX
1/2"	F83-TX-050/2R2S-XX
3/4"	F83-TX-075/2R3S-XX
1"	F83-TX-100/2R3S-XX
1-1/4"	F83-TX-125/2R3S-XX
1-1/2"	F83-TX-150/2R3S-XX
2"	F83-TX-200/2R4S-XX

SIZED FOR 60 psi AIR SUPPLY	
SIZE	MODEL
1/4"	F83-TX-025/2R2S-XX
3/8"	F83-TX-038/2R2S-XX
1/2"	F83-TX-050/2R2S-XX
3/4"	F83-TX-075/2R3S-XX
1"	F83-TX-100/2R3S-XX
1-1/4"	F83-TX-125/2R3S-XX
1-1/2"	F83-TX-150/2R4S-XX
2"	F83-TX-200/2R4S-XX



Germany Patent No. 299 02 532.2
United States Patent No. 5,954,088
China Patent No. ZL 98 2 09161.3

SAMPLE PART #
F83C-TX-050/2R2S-XX



See valve part number matrix for complete part number and options.

OPTIONS

DESCRIPTION	PART NO. SUFFIX	DESCRIPTION	PART NO. SUFFIX
TYPE 4 Solenoid	(A)	TYPE 4 Limit Switch (2) spdt	(A)
TYPE 7 Solenoid	(B)	TYPE 7 Limit Switch (2) spdt	(B)
Intrinsically Safe Solenoid	(C)	Intrinsically Safe Limit Switch	(C)

Other options available - call for details
Actuators are sized based on clean/clear fluid.

Electric

Automated Ball Valve Package Series F83 3-Piece Ball Valve

Firesafe

Sizes 1/4" - 2"

Full Port Design

Conforms to ASME B16.34

Classes up to 600
1000 to 2000 psi (BPVC) by size

316SST or WCB

TH, SW, or BW Ends

Superior Live Loaded Packing System

Blowout Proof Stem w/ Dual
Anti-Static Devices

RTFE Seats Standard

Pyramidal Stem Seal Design

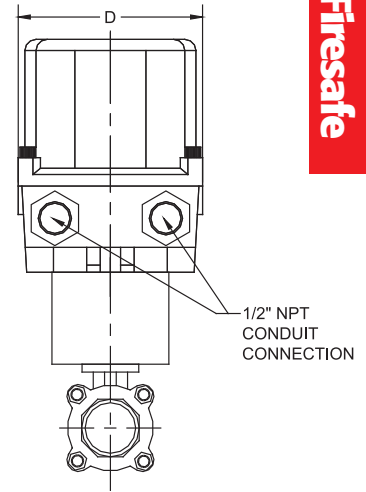
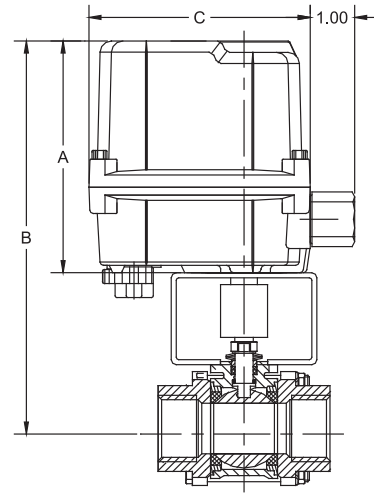
STANDARDS

DESIGN	ASME B16.34 (fully conforms)
END CONNECTIONS	ASME B16.25, B1.20.1, B16.11
PRESSURE TESTING	API 598
SULFIDE STRESS PROTECTION	NACE MRO175
FIRE TESTING	API 607-6th Edition
MOUNTING	ISO 5211
MARKING SYSTEM FOR VALVES	MSS SP-25, ISO 5209
MATERIAL CERTIFICATION	EN 10204-3.1 MTR
QUALITY ASSURANCE	ISO 9001:2015

**API 607 - 6th Edition
CERTIFIED**



Firesafe tested to API-607
(valve only)



DIMENSIONS (IN)

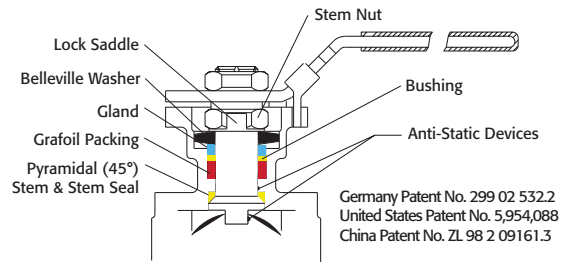
VALVE SIZE	A	B	C	D	VALVE Cv
1/4"	5.24	7.89	4.94	4.08	7
3/8"	5.24	7.89	4.94	4.08	8
1/2"	5.24	7.89	4.94	4.08	15
3/4"	5.24	7.89	4.94	4.08	40
1"	5.24	8.02	4.94	4.08	70
1-1/4"	5.24	8.14	4.94	4.08	110
1-1/2"	5.24	8.29	4.94	4.08	250
2"	5.24	8.66	4.94	4.08	430

ON-OFF	
SIZE	MODEL
1/4"	F83-TX-025/WEA1-XX
3/8"	F83-TX-038/WEA1-XX
1/2"	F83-TX-050/WEA1-XX
3/4"	F83-TX-075/WEA1-XX
1"	F83-TX-100/WEA1-XX
1-1/4"	F83-TX-125/WEA1-XX
1-1/2"	F83-TX-150/WEA1-XX
2"	F83-TX-200/WEA1-XX

MODULATING	
SIZE	MODEL
1/4"	F83-TX-025/WEA2-XX
3/8"	F83-TX-038/WEA2-XX
1/2"	F83-TX-050/WEA2-XX
3/4"	F83-TX-075/WEA2-XX
1"	F83-TX-100/WEA2-XX
1-1/4"	F83-TX-125/WEA2-XX
1-1/2"	F83-TX-150/WEA2-XX
2"	F83-TX-200/WEA2-XX

OPTIONS
DESCRIPTION
24 VAC/24 VDC/220VAC
Feedback potentiometer

NOTE: Heater and thermostat standard
(2) auxiliary switches standard
Other options available - call for details
Actuators are sized based on clean/clear fluid.



Germany Patent No. 299 02 532.2
United States Patent No. 5,954,088
China Patent No. ZL 98 2 09161.3

MANUAL VALVE

SAMPLE PART #

F83C-TH-0200-XXX-X-__

- (1) Prefix
- (2) Valve Series
- (3) Body/Ball/Stem Material
- (4) End Connection
- (5) Valve Size
- (6) Seat, Lining & Trim Material
- (7) Special Designation
- (8) Additional Specials
- (9,10,11) Options

See valve part number matrix for complete part number and options.

HOW TO ORDER: Manual Valves w/ Options

Series F83

API 607 - 6th Edition
CERTIFIED

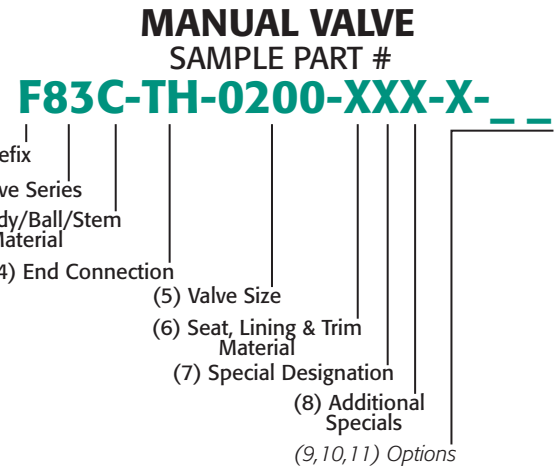
1	Prefix
F	Firesafe Tested

2	Valve Series
83	3 pc. 2000 psi max, Regular Port

3	Body/Ball/Stem Material
Blank	Valve Series Standard (316SS)
C	Carbon Steel Body

4	End Connection
TH	NPT Ends
SW	Socket Weld Ends
BW	Butt Weld Ends
EW	Extended Butt Weld Ends
TE	NPT x Extended Butt Weld
TS	NPT x Socket Weld
TB	NPT x Butt Weld
XX	Configurable End Connection

5	Valve Size	
0050	1/2"	0150 1-1/2"
0075	3/4"	0200 2"
0100	1"	0250 2-1/2"
0125	1-1/4"	



6	Seat, Lining & Trim Materials
X	Reinforced TFE Seats (RTFE)
P	Virgin TFE Seats (PTFE)
S	50/50 STFE Seats
C	25% CS Powder/75% TFE Seats (CTFE)
T	TFM™-1600 Seats
E	All TFM™-1600 Seats, Seals, & Packing
A	50% SS Powder/50% TFM™-1600 Seats (STFM)

TFM™ is a trademark of Dyneon™, a 3M Company.

7	Special Designation
X	No Specials/Series Standard
G	Gear Operator
H	Gear Operator w/ Lockout Plate
O	Oval Handle (available on some)
S	Spring Return (Direct Mount Only)
4	4" Lockable Stem Extension

8	Additional Specials
X	No Specials, Series Standard
O	Oxygen Cleaned
V	Vented Ball
E	Bonnet Extension Lockable Handle
F	Fugitive Emissions Bonnet
D	Degreased & Bagged
A	Vented Ball, Degreased & Bagged
B	Vented Ball, Oxygen Cleaned

OPTIONS:

9	Special Designation
Blank	No Designation, Valve Series Standard
X	Multiple Option Designation
H	Hard Coated (HMF) Ball

10	O-Ring
Blank	No Designation, Valve Series Standard
X	Multiple Option Designation

11	Additional Specials
Blank	No Designation, Valve Series Standard
X	Multiple Option Designation
B	B7M Bolting
E	CE/PED Certified
M	Marine Epoxy Coating

Series F83

API 607 - 6th Edition
CERTIFIED

HOW TO ORDER: Automated Valves

1	Prefix
F	Firesafe Tested

2	Valve Series
83	3 pc. 2000/1500 psi, Regular Port

3	Body/Ball/Stem Material
Blank	Valve Series Standard (316SST)
C	Carbon Steel Body

4	End Connection
T	NPT Ends
S	Socket Weld Ends
B	Butt Weld Ends
E	Extended Butt Weld Ends
M	NPT x Socket Weld
P	NPT x Butt Weld

5	Seat, Lining & Trim Materials
X	Reinforced TFE Seats (RTFE)
P	Virgin TFE Seats (PTFE)
S	50/50 STFE Seats
C	25% CS Powder/75% TFE Seats (CTFE)
T	TFM™-1600 Seats
E	All TFM™-1600 Seats, Seals, & Packing
A	50% SS Powder/50% TFM™-1600 Seats (STFM)

6	Valve Size			
025	1/4"	125	1-1/4"	
038	3/8"	150	1-1/2"	
050	1/2"	200	2"	
075	3/4"	250	2-1/2"	
100	1"			

7	Actuator - Pneumatic (DA)			
TRYD	TR10DA	2R7D	2R500DA	
TR1D	TR20DA	2R8D	2R850DA	
2R2D	2R40DA	2R9D	2R1200DA	
2R3D	2R80DA	2R0D	2R1750DA	
2R4D	2R130DA	2RAD	2R2500DA	
2R5D	2R200DA	2RBD	2R3500DA	
2R6D	2R300DA			

7	Actuator - Pneumatic (SR)			
TR1S	TR20SR	2R7S	2R500SR	
2R2S	2R40SR	2R8S	2R850SR	
2R3S	2R80SR	2R9S	2R1200SR	
2R4S	2R130SR	2R0S	2R1750SR	
2R5S	2R200SR	2RAS	2R2500SR	
2R6S	2R300SR	2RBS	2R3500SR	

7	Actuator - Pneumatic Stainless (DA)			
S21D	S2-052DA	S25D	S2-125DA	
S22D	S2-063DA	S26D	S2-140DA	
S23D	S2-083DA	S27D	S2-160DA	
S24D	S2-105DA	S28D	S2-210DA	

7	Actuator - Pneumatic Stainless (SR)			
S21S	S2-052SR	S25S	S2-125SR	
S22S	S2-063SR	S26S	S2-140SR	
S23S	S2-083SR	S27S	S2-160SR	
S24S	S2-105SR	S28S	S2-210SR	

7	Actuator - Electric (On-Off)			
WEX1	WE-350	WEG1	WE-5200	
WEA1	WE-500	WEH1	WE-6900	
WEB1	WE-690	WEJ1	WE-10500	
WEC1	WE-1350	WEK1	WE-17500	
WED1	WE-1700	WEL1	WE-25900	
WEE1	WE-2640	WEM1	WE-53000	
WEF1	WE-4400	WEN1	WE-80000	

7	Actuator - Electric (Modulating)			
WEA2	WEM-500	WEH2	WEM-6900	
WEB2	WEM-690	WEJ2	WEM-10500	
WEC2	WEM-1350	WEK2	WEM-17500	
WED2	WEM-1700	WEL2	WEM-25900	
WEE2	WEM-2640	WEM2	WEM-53000	
WEF2	WEM-4400	WEN2	WEM-80000	
WEG2	WEM-5200			

OPTIONS:

8	Accessories/Options	Model no.
X	No Specials	
A	TYPE 4 Solenoid 120VAC	TVCS-X411-4N-A120
B	TYPE 7 Solenoid 120VAC	TVCG-X411-7N-A120
C	Intrinsically Safe Solenoid	TVIS-X411-4N-D24
D	TYPE 4 Solenoid 24VDC	TVCS-X411-4N-D24
F	TYPE 7 Solenoid 24VDC	TVCG-X411-7N-D24
Q	TYPE 4 SST Solenoid 120VAC	TVSS-X411-4N-A120
M	TYPE 7 SST Solenoid 120VAC	TVSS-X411-7N-A120
L	TYPE 4 SST Solenoid 24VDC	TVSS-X411-4N-D24
N	TYPE 7 SST Solenoid 24VDC	TVSS-X411-7N-D24
P	Pneumatic Positioner	PPR-1200
E	Electro-Pneumatic Positioner	EPR-1000
R	24VDC Electric Actuator	
S	220VAC Electric Actuator	
T	Other Voltage Electric Actuator	
W	12VDC Electric Actuator	
Y	24VAC Electric Actuator	

* No voltage specified on electric assemblies denotes 120VAC

9	Accessories	Model no.
X	No Specials	
A	TYPE 4 Limit Switch	APL-210N/APL-310N
B	TYPE 7 Limit Switch	APL-510N
C	Intrinsically Safe Limit Switch	APL-218N
Q	TYPE 4 SST Limit Switch	APL-910N
M	TYPE 7 SST Limit Switch	APL-510S
1	HS1 High Speed Electric	
2	HS2 High Speed Electric	

10	Special Designation
Blank	No Designation, SST Stem

TFM™ is a trademark of Dyneon™, a 3M Company.

AUTOMATED VALVE

SAMPLE PART #

F83C-TX-100/2R3D-XX-

