



# PROCESS GAUGES

## GEARLESS, DIRECT DRIVE PRESSURE GAUGES

Designed to perform on any application

### ADVANTAGES

#### ONE MOVING PART

Unmatched vibration, pulsation and shock performance. No linkages, springs, gears, or liquid fill to wear, break or leak.

#### OOPS! PROOF

Proof pressure (over-pressure) of 150% F.S. exceeds industry standards. Survives the day to day beatings of an unpredictable industrial environment.

#### TEMPERATURE HERO

Trusted in extremes from -65°F up to 600°F media. Accuracy is 25% less affected by temp fluctuations. Inconel Element = Low Coefficient of Thermal Expansion

#### AEROSPACE QUALITY | MILITARY TRUSTED

Direct Drive is demanded on critical applications. The same military grade Direct Drive technology used in our Aerospace and Military designs is used in our industrial gauges for commercial applications.

#### MINI-SEAL COMPATIBILITY

Requires 85% less fill fluid than the competition. Accuracy is 50% less affected by temps above 68°F. Low volume design enables performance on mini-diaphragm seals providing performance advantages and cost savings.

**Lifetime Limited Warranty**



**ACCURACY** (Ref. @ 68°F, ±2°F)  
±0.5% F.S. at M.S. / ±1.0% F.S.  
±0.5% F.S. (Grade 2A)

**RANGE AVAILABILITY**  
Vacuum – 15,000 psi (or equivalent)  
Single Scale, Dual Scale, Vacuum and Compound  
psi, bar, kPa, MPa, kg/cm<sup>2</sup>, inHg, mmHg

**DIAL**  
Stainless Steel, Powder Coated Finish  
Standard: White with Black Markings  
Ray Series: Neon Yellow, Black Markings, Red Pointer

**WINDOW**  
Acrylic  
Tempered Glass

**POINTER**  
Anodized Aluminum  
Zero-adjustable

**CONNECTION**  
316 SS or Monel  
¼ or ½ NPT (other options available)  
Welded Mini-Seal (316 SS or Hastelloy C-276)

**WETTED PARTS**  
Inconel X-750  
300-series SS  
Silver Braze (nickel available)

**BURST PRESSURE**  
500% F.S. pressure or 25,000 psi

**PROOF PRESSURE**  
150% F.S. for gauges ≤ 5,000 psi  
125% F.S. for gauges ≥ 5,000 psi

**CUSTOMIZATION AVAILABLE. CONTACT THE FACTORY.**

## CASE CONFIGURATIONS

### ABS PLASTIC

#### COLORS

Black, Blue, Green, Red, White, Yellow (availability varies by size)

#### OPERATING TEMPERATURE

Process: -65°F to 250°F

Ambient: -65°F to 190°F



2.5", 4.5", 6", 8.5"  
Front Flange



2.5", 4.5", 6"  
No Flange



2.5", 4.5", 6"  
Rear Flange



3.5", 4.5"  
Turret

### METAL

### MILITARY GRADE

### HIGH TEMP

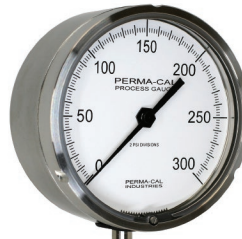
High performance cases providing extreme temperature, chemical and shock resistance.



2.5" No Flange  
Aluminum



4.5" No Flange  
SS Case, Alum. Ring



4.5" No Flange  
Stainless Steel



3.5", 4.5", 8.5"  
Rear Flange  
Aluminum/Skydrol



4.5" Turret  
Glass-Filled Nylon

#### COLORS

SS and Aluminum: Powder Coated Finish (specify color)

Skydrol: Purple Anodized Ring, Unpainted Case

Glass-Filled Nylon: Available in yellow only

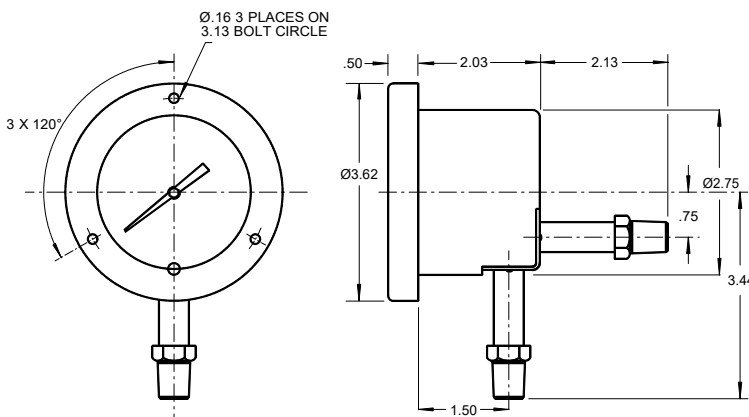
#### OPERATING TEMPERATURE

Process: -65°F to 600°F

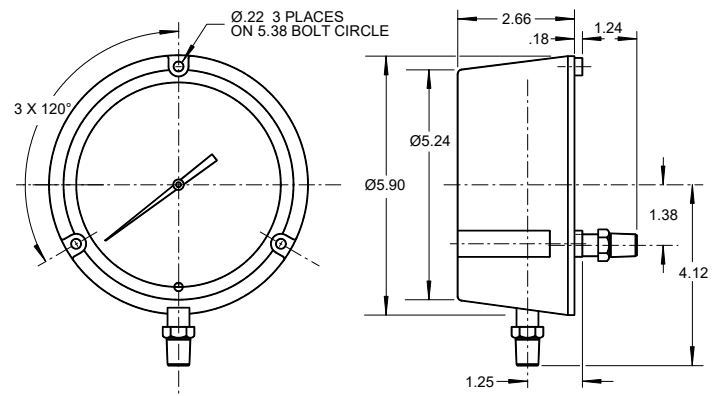
Ambient: -65°F to 400°F

CALIBRATION CERTIFICATE AVAILABLE.

## DIMENSIONAL SPECS (common sizes)



2.5" Front Flange



4.5" Turret