

RCE4L & RCE4

Switch Box

For open and closed position

RCE4L and RCE4 are mounted on the RC200-series according to VDI/VDE 3845, NAMUR on the top side of the actuator and are operated by its shaft.

In the standard design, the switch box is supplied with two microswitches which are effected by two independently adjustable cams.

Terminal strip with 8 x terminals and 2 x cable entries enables quick and easy wiring to the control system and solenoid valve.

Can be fitted together with our visual indication.

RCE4, which is higher than RCE4L, enables mounting of several microswitches or inductive sensors.



Standard

Material

Shaft, mounting bracket: Stainless steel
 Base plate: Anodized aluminium
 Cover: Aluminium, powder coated Epoxy

Switches

Type V3 (2x), -25 to +80 °C

Load

6A 250 V ~, 0,6A 125V=, 0,3A 250V=

Enclosure

IP 67

Entries

M20

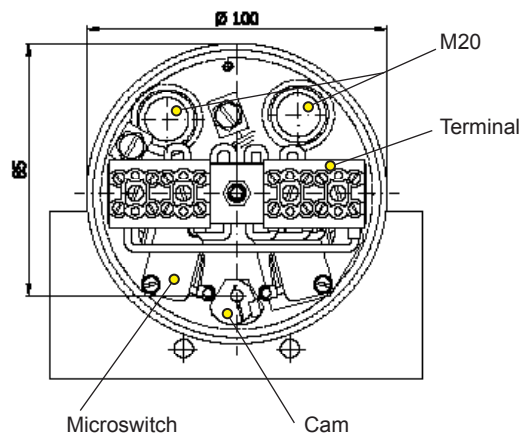
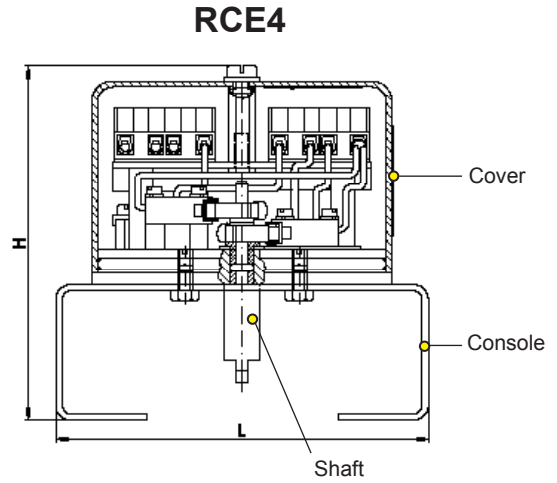
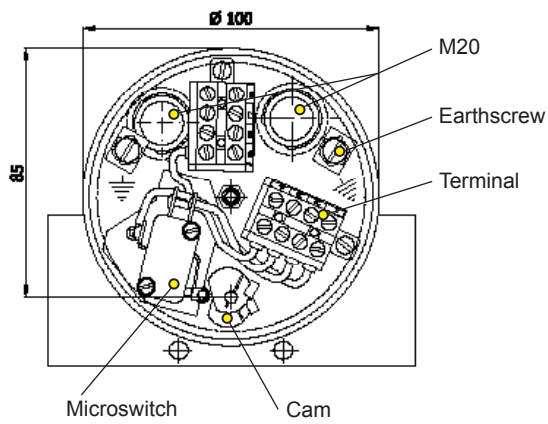
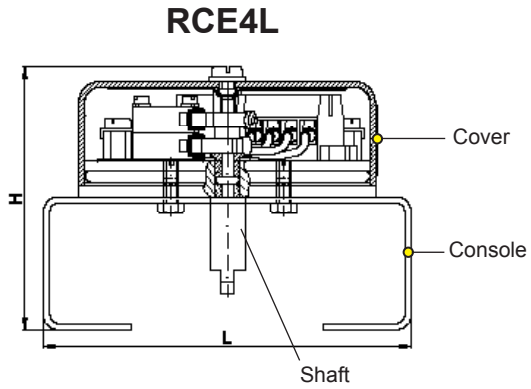
Options

- Enhanced corrosion protection
- Cover in transparent Macrolon
- For max. 4 microswitches or inductive sensors
- Pneumatic switches
- Gold plated switches
- Continuous indication with the aid of a potentiometer 1k Ohm
- High temperature design up to +140 °C
- CE 0470 Ex II 2 G D EEx ib IIC T5, T6
- Other cable entries on request

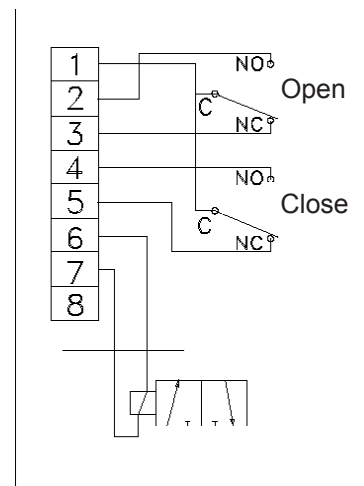
Inductive sensors:

IFM NS 5002 NAMUR
 IFM NS 5009 NAMUR
 IFM IS 5001 10-30V DC PNP 3-wire
 IFM IS 5026 5-36V DC 2-wire Quadro-norm
 IFM IN 0081 20-250 AC/DC (E4)
 Pepperl + Fuchs NJ2-V3-N
 Pepperl + Fuchs NBB2-V3-E2

For further information about special switches an wiring diagram, please contact Remote Control



Standard wiring diagram for RCE4L and RCE4



RCS-459

We reserve the right to make changes without notice.

Measurements

	E4L		E4	
	H	L	H	L
RC210	90	68	120	68
RC220-RC265	90	110	120	110
RC270-RC280, RC88	100	160	130	160
RCG90-RCG100	155*	200*	185*	200*

*Not VDI/VDE- Console

Ref No 381F / Art No 980381

