

Model	WLD1400
Sizes	1/2", 3/4", 1", 1 1/2", 2"
Connections	NPT
Body Material	Ductile Iron
PMO Max. Operating Pressure	300 PSIG
TMO Max. Operating Temperature	450°F
PMA Max. Allowable Pressure	300 PSIG up to 450°F
TMA Max. Allowable Temperature	450°F @ 300 PSIG



Typical Applications

The **WLD1400 Series** is used on air and gas applications as drip traps on piping runs as well as drainage for systems and various process vessels that have moderate condensate loads.

How It Works

The WLD1400 Series liquid drainers contain a float-operated valve. When liquid enters the drainer, the float rises opening the valve which allows liquid to be drained.

Features

- All stainless steel internals
- Hardened valve seat for longer service life
- Ductile Iron body
- In-line repairable

Sample Specification

The liquid drain trap shall be float operated with a ductile iron body, all stainless steel internals and a hardened valve seat. The unit shall be in-line repairable and equipped with a FNPT threaded connection for the use of a balance line.

Installation

The installation should include isolation valves to facilitate maintenance and an in-line strainer. The trap must be level and upright for the float mechanism to operate. Trap must be adequately sized and properly located in the system. Installation may require an equalizing or balancing line connected from top of drainer body to the above piping, for proper drainage.

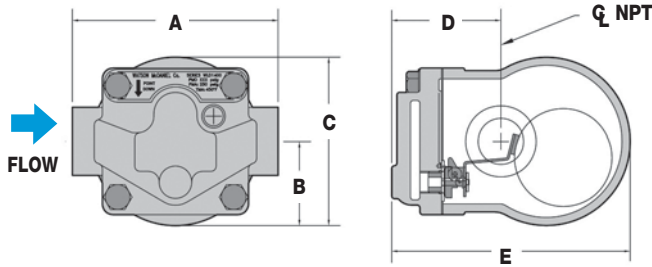
Maintenance

All working components can be replaced with the drain trap remaining in the pipeline. Repair kits include float, valve seat & disc, and gaskets. For full maintenance details see Installation and Maintenance Manual.

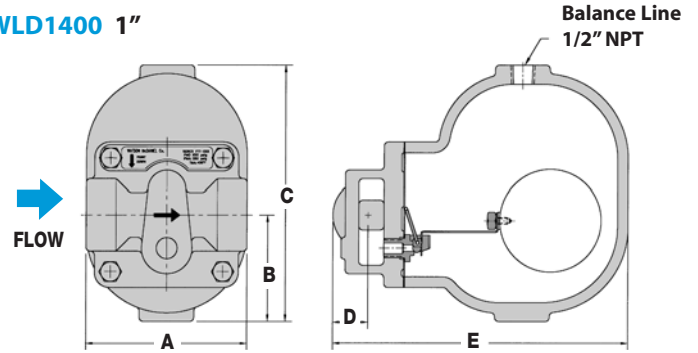
MATERIALS

Body & Cover	Ductile Iron
Gasket	Garlock 3400
Cover Screws	Stainless Steel, Gr 5
Float	Stainless Steel, AISI 304
Internals	Stainless Steel, 300 Series
Valve Seat	Stainless Steel, 17-4 PH
Valve Disc	Stainless Steel, AISI 420F

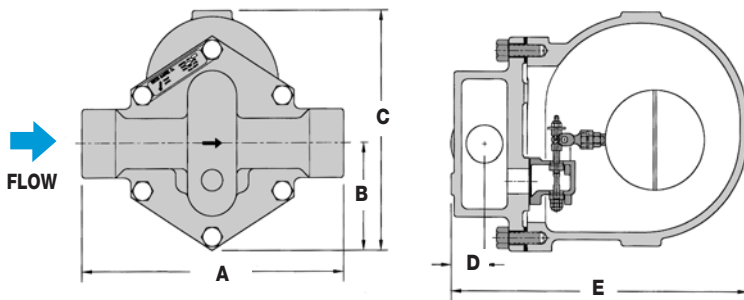
WLD1400 1/2" & 3/4"



WLD1400 1"



WLD1400 1 1/2" & 2"



DIMENSIONS & WEIGHTS – inches/pounds						
Size	A	B	C	D	E	Weight
1/2", 3/4"	4.8	1.9	3.9	2.5	5.5	6
1"	4.8	3.1	7.5	1.1	8.8	16
1 1/2"	10.6	4.3	9.6	1.4	12	40
2"	11.9	4.3	9.6	1.4	12	40

How to Size / Order

Determine the capacity (lbs/hr) required at the specified differential pressure. Locate differential pressure on capacity chart; move down column to capacity required. Make sure to select the correct model based on the maximum inlet pressure.

Example:

Required to drain 3,500 lbs/hr at a differential pressure of 2 PSI. The maximum inlet pressure is 15 PSIG.

Select Model: **WLD1416-N-065**, 1 1/2", capacity up to 4,300 lbs/hr based on 2 PSI differential pressure. PMO = 65 PSI

Capacity in lbs/hr is based on differential pressure across the drainer. Select a model with an equal or higher PMO (max. operating pressure) than the maximum inlet pressure to the drainer. If the pressure to the drainer exceeds the PMO, the drainer may not open. If discharging to atmosphere, the differential pressure is equal to the inlet pressure.

CAPACITIES – Cold Water (lbs/hr)

Model Code	Size	PMO (PSIG)	Orifice Size	Differential Pressure (PSI)																
				1	2	5	10	15	20	30	50	65	75	100	125	145	200	225	300	
WLD1412-N-065	1/2"	65	.157"	250	340	530	730	880	1010	1230	1560	1770								
WLD1413-N-065	3/4"	65	.157"	250	340	530	730	880	1010	1230	1560	1770								
WLD1414-N-065	1"	65	.273"	980	1360	2090	2910	3520	4040	4890	6220	7050								
WLD1416-N-065	1 1/2"	65	.157"	3125	4300	6600	9350	11225	13250	16350	20950	23500								
WLD1417-N-065	2"	65	.273"	10600	14900	23300	31500	38150	44750	53600	69200	76375								
WLD1412-N-145	1/2"	145	.100"	110	150	230	320	380	440	530	680	770	940	1050	1130	1200				
WLD1413-N-145	3/4"	145	.100"	110	150	230	320	380	440	530	680	770	940	1050	1130	1200				
WLD1414-N-145	1"	145	.202"	490	670	1040	1440	1750	2000	2430	3090	3500	4290	4760	5110	5350				
WLD1416-N-145	1 1/2"	145	.100"	1575	2175	3400	4650	5525	6325	7750	9925	11000	12300	13975	15300	16500				
WLD1417-N-145	2"	145	.202"	3875	5450	8575	11500	12350	13200	20950	27175	31050	34150	38500	42225	45950				
WLD1412-N-225	1/2"	225	.079"	60	80	130	180	220	250	300	380	430	530	590	630	690	740	780		
WLD1413-N-225	3/4"	225	.079"	60	80	130	180	220	250	300	380	430	530	590	630	690	740	780		
WLD1414-N-225	1"	225	.184"	320	450	690	960	1160	1330	1610	2050	2330	2850	3170	3400	3710	3960	4100		
WLD1416-N-250	1 1/2"	250	.079"	1000	1375	2150	3050	3600	4100	5025	6400	7300	8050	8900	9750	10550	12450	13150		
WLD1417-N-250	2"	250	.184"	1900	2675	4250	5850	7000	8225	10050	12950	15125	16700	18300	20200	22100	25850	27100		
WLD1414-N-300	1"	300	.153"	230	320	500	690	840	960	1170	1480	1680	2060	2290	2460	2680	2860	3020	3460	