



## USER INSTRUCTIONS

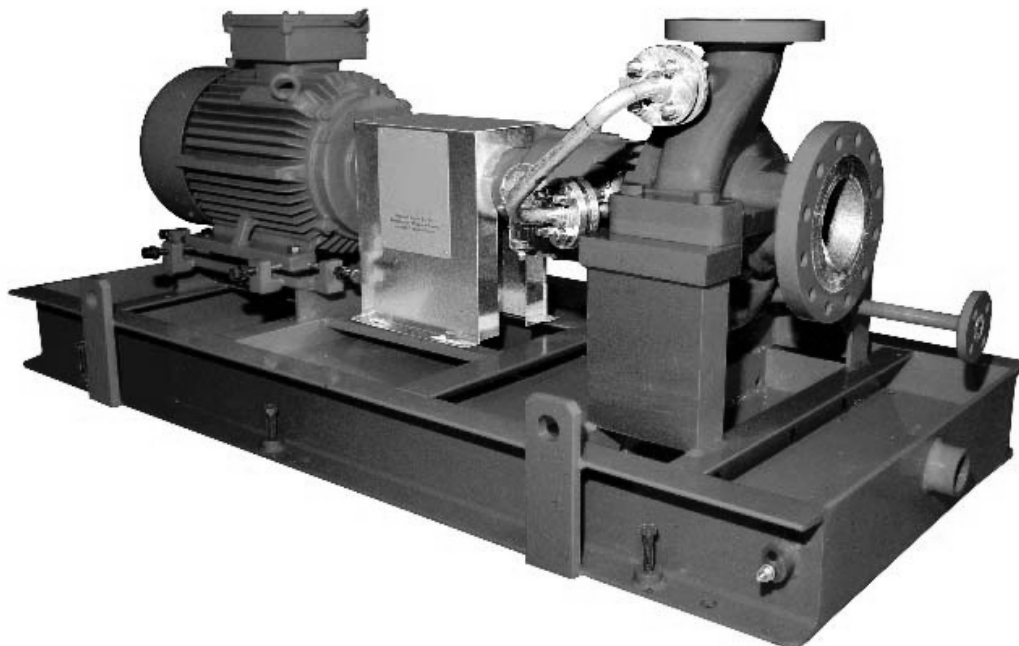
### **IDP<sup>®</sup> HPX WITH PACKING GLAND centrifugal pumps**

Single stage, single suction, radially split volute type centrifugal pumps

PCN=87900033 – 06/14 (E) Original instructions

---

**Installation  
Operation  
Maintenance**



***These instructions must be read prior to installing,  
operating, using and maintaining this equipment.***

***Experience In Motion***



**CONTENTS**

	<b>PAGE</b>		
CONTENTS .....	2	6.5 Tools required.....	34
1 INTRODUCTION AND SAFETY .....	4	6.6 Fastener torques .....	34
1.1 General .....	4	6.7 Disassembly .....	36
1.2 CE marking and approvals.....	4	6.8 Examination of parts.....	38
1.3 Disclaimer .....	4	6.9 Assembly .....	39
1.4 Copyright.....	4	7 FAULTS; CAUSES AND REMEDIES.....	42
1.5 Duty conditions .....	4	8 PARTS LIST AND DRAWINGS .....	42
1.6 Safety .....	5	9 CERTIFICATION.....	59
1.7 Nameplate and safety labels.....	8	10 OTHER RELEVANT DOCUMENTATION AND	
1.8 Specific machine performance.....	8	MANUALS .....	59
1.9 Noise level.....	9	10.1 Supplementary User Instruction manuals ....	59
2 TRANSPORT AND STORAGE .....	10	10.3 Additional sources of information .....	59
2.1 Consignment receipt and unpacking.....	10		
2.2 Handling .....	10		
2.3 Lifting.....	10		
2.4 Storage.....	10		
2.5 Recycling and end of product life.....	12		
3 PUMP DESCRIPTION.....	12		
3.1 Configurations.....	12		
3.2 Nomenclature.....	12		
3.3 Design of major parts.....	13		
3.4 Performance and operating limits .....	14		
4 INSTALLATION.....	15		
4.1 Location.....	15		
4.2 Part assemblies .....	15		
4.3 Foundation .....	15		
4.4 Grouting .....	17		
4.6 Piping .....	20		
4.7 Final shaft alignment check .....	22		
4.8 Electrical connections .....	22		
4.9 Protection systems.....	22		
5 COMMISSIONING, START-UP, OPERATION AND			
SHUTDOWN.....	23		
5.1 Pre-commissioning procedure .....	23		
5.2 Pump Lubricants .....	27		
5.3 Direction of rotation.....	28		
5.4 Guarding .....	28		
5.5 Priming and auxiliary supplies .....	29		
5.6 Starting the pump.....	29		
5.7 Operating checks .....	29		
5.8 Normal Start Up .....	31		
5.9 Stopping the pump.....	31		
5.10 Hydraulic, mechanical and.....	31		
electrical duty .....	31		
6 MAINTENANCE.....	31		
6.1 General .....	31		
6.2 Maintenance schedule .....	32		
6.3 Spare parts.....	33		
6.4 Recommended spares (according to API).....	34		

**INDEX**

	<b>PAGE</b>		<b>PAGE</b>
Additional sources (10.3).....	59	Recycling (2.5) .....	12
Alignment of shafting (see 4.5, 4.7 and 4.3)		Replacement parts (see 6.3 and 6.4).....	33/34
Assembly (6.9).....	38	Running the pump (5.6) .....	29
ATEX marking (1.6.4.2) .....	7	Safety action (1.6.3) .....	5
CE marking and approvals (1.2).....	4	Safety markings (1.6.1) .....	5
Certification (9) .....	59	Safety, protection systems (see 1.6 and 4.9)	
Change notes (10.2) .....	59	Sectional drawings (8).....	44
Clearances (see 6.9) .....	38	Sound level (see 1.9, Noise level).....	9
Commissioning and operation (see 5).....	23	Sources, additional information (10.3) .....	55
Compliance, ATEX (1.6.4.1).....	6	Spare parts (6.3) .....	33
Configurations (3) .....	12	Specific machine performance (1.8) .....	8
Copyright (1.4).....	4	Starting the pump (5.6) .....	29
Design of major parts (3.3) .....	13	Stop/start frequency (5.7.5).....	30
Direction of rotation (5.3) .....	28	Stopping and shutdown (5.9) .....	31
Disassembly (6.7) .....	36	Storage, pump (2.4) .....	10
Disclaimer (1.3).....	4	Storage, spare parts (6.3.2) .....	33
Dismantling (see 6.7, Disassembly) .....	36	Supplementary manuals or information sources.....	59
Drawings (8) .....	44	Tools required (6.5).....	34
Duty conditions (1.5).....	4	Torques for fasteners (6.6).....	34
Electrical connections (4.8) .....	22	Trouble-shooting (see 7) .....	42
End of product life (2.5) .....	12	Vibration (5.7.5).....	30
Examination of parts (6.8) .....	38	Warning labels (1.7.2) .....	8
Fastener torques (6.6) .....	34		
Faults; causes and remedies (7) .....	42		
General assembly drawings (see 8.16).....	59		
Grouting (4.4).....	17		
Guarding (5.4).....	28		
Handling (2.2) .....	10		
Hydraulic, mechanical and electrical duty (5.10).....	31		
Impeller clearance (6.9).....	38		
Inspection (6.2) .....	32		
Installation (4) .....	15		
Lifting (2.3).....	10		
Location (4.1).....	15		
Lubrication (see 5.1.1, 5.2 and 6.2.3)			
Lubrication schedule (see 5.2, Pump lubricants) ....	27		
Maintenance (6).....	31		
Maintenance schedule (6.2) .....	32		
Name nomenclature (3.2).....	12		
Nameplate (1.7.1) .....	8		
Operating limits (3.4) .....	14		
Ordering spare parts (6.3.1) .....	33		
Part assemblies (4.2).....	15		
Parts lists (8) .....	44		
Performance (3.4).....	14		
Piping (4.6) .....	20		
Pre-commissioning (5.1).....	23		
Protection systems (4.9).....	22		
Priming and auxiliary supplies (5.5).....	29		
Reassembly (see 6.9, Assembly) .....	38		
Receipt and unpacking (2.1).....	10		
Recommended fill quantities (see 5.2.2) .....	28		
Recommended oil lubricants (5.2.1).....	27		
Recommended spares (6.4) .....	34		

## **1 INTRODUCTION AND SAFETY**

### **1.1 General**



***These Instructions must always be kept close to product's operating location or directly with the product.***

Flowserve's products are designed, developed and manufactured with state-of-the-art technologies in modern facilities. The unit is produced with great care and commitment to continuous quality control, utilising sophisticated quality techniques, and safety requirements.

Flowserve is committed to continuous quality improvement and being at service for any further information about the product in its installation and operation or about its support products, repair and diagnostic services.

These instructions are intended to facilitate familiarization with the product and its permitted use. Operating the product in compliance with these instructions is important to help ensure reliability in service and avoid risks. The instructions may not take into account local regulations; ensure such regulations are observed by all, including those installing the product. Always coordinate repair activity with operations personnel, and follow all plant safety requirements and applicable safety and health laws/regulations.



***These instructions must be read prior to installing, operating, using and maintaining the equipment in any region worldwide. The equipment must not be put into service until all the conditions relating to safety, noted in the instructions, have been met. Failure to follow and apply the present user instructions is considered to be misuse. Personal injury, product damage, delay or failure caused by misuse are not covered by the Flowserve warranty.***

### **1.2 CE marking and approvals**

It is a legal requirement that machinery and equipment put into service within certain regions of the world shall conform with the applicable CE Marking Directives covering Machinery and, where applicable, Low Voltage Equipment, Electromagnetic Compatibility (EMC), Pressure Equipment Directive (PED) and Equipment for Potentially Explosive Atmospheres (ATEX).

Where applicable, the Directives and any additional Approvals, cover important safety aspects relating to machinery and equipment and the satisfactory provision of technical documents and safety instructions. Where applicable this document incorporates information relevant to these Directives and Approvals. To confirm the Approvals applying and if the product is CE marked, check the serial number plate markings and the Certification, see section 9, *Certification*.

### **1.3 Disclaimer**

***Information in these User Instructions is believed to be reliable. In spite of all the efforts of Flowserve to provide sound and all necessary information the content of this manual may appear insufficient and is not guaranteed by Flowserve as to its completeness or accuracy.***

Flowserve manufactures products to exacting International Quality Management System Standards as certified and audited by external Quality Assurance organisations. Genuine parts and accessories have been designed, tested and incorporated into the products to help ensure continued product quality and performance in use. As Flowserve cannot test parts and accessories sourced from other vendors the incorrect incorporation of such parts and accessories may adversely affect the performance and safety features of the products. The failure to properly select, install or use authorised Flowserve parts and accessories is considered to be misuse. Damage or failure caused by misuse is not covered by Flowserve's warranty. In addition, any modification of Flowserve products or removal of original components may impair the safety of these products in their use.

### **1.4 Copyright**

All rights reserved. No part of these instructions may be reproduced, stored in a retrieval system or transmitted in any form or by any means without prior permission of Flowserve Corporation.

### **1.5 Duty conditions**

This product has been selected to meet the specifications of your purchaser order. The acknowledgement of these conditions has been sent separately to the Purchaser. A copy should be kept with these instructions.



***The product must not be operated beyond the parameters specified for the application. If there is any doubt as to the suitability of the product for the application intended, contact Flowserve for advice, quoting the serial number.***


If the conditions of service on your purchase order are going to be changed (for example liquid pumped, temperature or duty) it is requested that the user seeks Flowserve's written agreement before start up.


Always co-ordinate repair activity with operations and health and safety personnel, and follow all plant safety requirements and applicable safety and health laws and regulations.


## 1.6 Safety

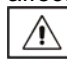
### 1.6.1 Summary of safety markings

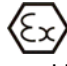
These user instructions contain specific safety markings where non-observance of an instruction would cause hazards. The specific safety markings are:


 **DANGER** This symbol indicates electrical safety instructions where non-compliance will involve a high risk to personal safety or the loss of life.

 This symbol indicates safety instructions where non-compliance would affect personal safety and could result in loss of life.

 This symbol indicates "hazardous and toxic fluid" safety instructions where non-compliance would affect personal safety and could result in loss of life.

 This symbol indicates safety instructions where non-compliance will involve some risk to safe operation and personal safety and would damage the equipment or property.

 This symbol indicates explosive atmosphere marking according to ATEX. It is used in safety instructions where non-compliance in the hazardous area would cause the risk of an explosion.

 This symbol is used in safety instructions to remind not to rub non-metallic surfaces with a dry cloth; ensure cloth is damp. It is used where non-compliance in the hazardous area would cause the risk of an explosion.

**Note:** This sign is not a safety symbol but indicates an important instruction in the assembly process.

### 1.6.2 Personnel qualification and training


All personnel involved in the operation, installation, inspection and maintenance of the unit must be qualified to carry out the work involved. If the personnel in question do not already possess the necessary knowledge and skill, appropriate training and instruction must be provided. If required the operator may commission the manufacturer / supplier to provide applicable training.


### 1.6.3 Safety action

***This is a summary of conditions and actions to help prevent injury to personnel and damage to the environment and to equipment. For products used in potentially explosive atmospheres section 1.6.4 also applies.***

 **CAUTION** PREVENT EXCESSIVE EXTERNAL PIPE LOAD


Do not use pump as a support for piping. Do not mount expansion joints, unless allowed by Flowserve in writing, so that their force, due to internal pressure, acts on the pump flange.

 **CAUTION** ENSURE CORRECT LUBRICATION  
(See section 5, *Commissioning, start-up, operation and shutdown.*)


 **CAUTION** START THE PUMP WITH OUTLET VALVE PART OPENED  
(Unless otherwise instructed at a specific point in the user instructions.)

This is recommended to minimise the risk of overloading and damaging the pump and motor at full or zero flow. Pumps may be started with the valve further open only on installations where this situation cannot occur. The pump outlet control valve may need to be adjusted to comply with the duty following the run-up process. (See section 5, *Commissioning start-up, operation and shutdown.*)

 **CAUTION** NEVER RUN THE PUMP DRY

 **CAUTION** INLET VALVES TO BE FULLY OPEN WHEN PUMP IS RUNNING

Running the pump at zero flow or below the recommended minimum flow continuously will cause damage to the pump itself and to the seal.

 **CAUTION** DO NOT RUN THE PUMP AT ABNORMALLY HIGH OR LOW FLOW RATES

Operating at a flow rate higher than normal or at a flow rate with no back pressure on the pump may overload the motor and cause cavitation. Low flow rates may cause a reduction in pump/bearing life, overheating of the pump, instability and cavitation/vibration.

 **DANGER** NEVER DO MAINTENANCE WORK WHEN THE UNIT IS CONNECTED TO POWER



**HAZARDOUS LIQUIDS**

When the pump is handling hazardous liquids care must be taken to avoid exposure to the liquid by appropriate siting of the pump, limiting personnel access and by operator training. If the liquid is flammable and/or explosive, strict safety procedures must be applied.

***Gland packing must not be used when pumping hazardous liquids.***



**DRAIN THE PUMP AND ISOLATE PIPEWORK BEFORE DISMANTLING THE PUMP**

The appropriate safety precautions should be taken where the pumped liquids are hazardous.



**FLUORO-ELASTOMERS (When fitted.)**

When a pump has experienced temperatures over 250 °C (482 °F), partial decomposition of fluoro-elastomers (eg Viton) will occur. In this condition these are extremely dangerous and skin contact must be avoided.



**HANDLING COMPONENTS**

Many precision parts have sharp corners and the wearing of appropriate safety gloves and equipment is required when handling these components. To lift heavy pieces above 25 kg (55 lb) use a crane appropriate for the mass and in accordance with current local regulations.



**GUARDS MUST NOT BE REMOVED WHILE THE PUMP IS OPERATIONAL**

The unit must not be operated unless coupling guard is in place. Failure to observe this warning could result in injury to operating personnel.



**THERMAL SHOCK**

Rapid changes in the temperature of the liquid within the pump can cause thermal shock, which can result in damage or breakage of components and should be avoided.



**NEVER APPLY HEAT TO REMOVE IMPELLER**  
Trapped lubricant or vapour could cause an explosion.



**HOT (and cold) PARTS**

If hot or freezing components or auxiliary heating supplies can present a danger to operators and persons entering the immediate area action must be taken to avoid accidental contact. If complete protection is not possible, the machine access must be limited to maintenance staff only, with clear visual warnings and indicators to those entering the

immediate area. Note: bearing housings must not be insulated and drive motors and bearings may be hot.

***If the temperature is greater than 68 °C (175 °F) or below 5 °C (20 °F) in a restricted zone, or exceeds local regulations, action as above shall be taken.***

**1.6.4 Products used in potentially explosive atmospheres**



Measures are required to:

- Avoid excess temperature
- Prevent build up of explosive mixtures
- Prevent the generation of sparks
- Prevent leakages
- Maintain the pump to avoid hazard

The following instructions for pumps and pump units when installed in potentially explosive atmospheres must be followed to help ensure explosion protection. Both electrical and non-electrical equipment must meet the requirements of European Directive 94/9/EC.

**1.6.4.1 Scope of compliance**



Use equipment only in the zone for which it is appropriate. Always check that the driver, drive coupling assembly, seal and pump equipment are suitably rated and/or certified for the classification of the specific atmosphere in which they are to be installed.

Where Flowserve has supplied only the bare shaft pump, the Ex rating applies only to the pump. The party responsible for assembling the pump set shall select the coupling, driver and any additional equipment, with the necessary CE Certificate/Declaration of Conformity establishing it is suitable for the area in which it is to be installed.

The output from a variable frequency drive (VFD) can cause additional heating affects in the motor and so, for pumps sets with a VFD, the ATEX Certification for the motor must state that it covers the situation where electrical supply is from the VFD. This particular requirement still applies even if the VFD is in a safe area.

**1.6.4.2 Marking**

An example of ATEX equipment marking is shown below. The actual classification of the pump will be engraved on the nameplate.



Equipment Group

I = Mining  
II = Non-mining

Category

2 or M2 = high level protection  
3 = normal level of protection

Gas and/or dust

G = Gas  
D = Dust

c = Constructional safety

(in accordance with prEn13463-5)

Gas Group (Equipment Category 2 only)

IIA – Propane (typical)  
IIB – Ethylene (typical)  
IIC – Hydrogen (typical)

Maximum surface temperature (Temperature Class)  
(see section 1.6.4.3)

**1.6.4.3 Avoiding excessive surface temperatures**



ENSURE THE EQUIPMENT TEMPERATURE CLASS IS SUITABLE FOR THE HAZARD ZONE

Pumps have a temperature class as stated in the ATEX Ex rating on the nameplate. These are based on a maximum ambient of 40 °C (104 °F); refer to Flowserve for higher ambient temperatures.

The surface temperature on the pump is influenced by the temperature of the liquid handled. The maximum permissible liquid temperature depends on the temperature class and must not exceed the values in the table that follows.

The temperature rise at the seals and bearings and due to the minimum permitted flow rate is taken into account in the temperatures stated.

Temperature class to EN 13463-1	Maximum surface temperature permitted	Temperature limit of liquid handled (* depending on material and construction variant - check which is lower)
T6	85 °C (185 °F)	Consult Flowserve
T5	100 °C (212 °F)	Consult Flowserve
T4	135 °C (275 °F)	115 °C (239 °F) *
T3	200 °C (392 °F)	180 °C (356 °F) *
T2	300 °C (572 °F)	275 °C (527 °F) *
T1	450 °C (842 °F)	400 °C (752 °F) *

**The responsibility for compliance with the specified maximum liquid temperature is with the plant operator.**

Temperature classification “Tx” is used when the liquid temperature varies and when the pump is required to be used in differently classified potentially explosive atmospheres. In this case the user is responsible for ensuring that the pump surface temperature does not exceed that permitted in its actual installed location.

If an explosive atmosphere exists during the installation, do not attempt to check the direction of rotation by starting the pump unfilled. Even a short run time may give a high temperature resulting from contact between rotating and stationary components.

Where there is any risk of the pump being run against a closed valve generating high liquid and casing external surface temperatures it is recommended that users fit an external surface temperature protection device.

Avoid mechanical, hydraulic or electrical overload by using motor overload trips, temperature monitor or a power monitor and make routine vibration monitoring checks.

In dirty or dusty environments, regular checks must be made and dirt removed from areas around close clearances, bearing housings and motors.

**1.6.4.4 Preventing the build up of explosive mixtures**



ENSURE THE PUMP IS PROPERLY FILLED AND VENTED AND DOES NOT RUN DRY

Ensure the pump and relevant suction and discharge pipeline system is totally filled with liquid at all times during the pump operation, so that an explosive atmosphere is prevented. In addition it is essential to make sure that seal chambers, auxiliary shaft seal systems and any heating and cooling systems are properly filled.

If the operation of the system cannot avoid this condition the fitting of an appropriate dry run protection device is recommended (eg liquid detection or a power monitor).

To avoid potential hazards from fugitive emissions of vapour or gas to atmosphere the surrounding area must be well ventilated.

**1.6.4.5 Preventing sparks**

To prevent a potential hazard from mechanical contact, the coupling guard must be non-sparking and anti-static for Category 2.

To avoid the potential hazard from random induced current generating a spark, the earth contact on the baseplate must be used.

Avoid electrostatic charge: do not rub non-metallic surfaces with a dry cloth; ensure cloth is damp.

The coupling must be selected to comply with 2006/42/EC and correct alignment must be maintained.

**1.6.4.6 Preventing leakage**

The pump must only be used to handle liquids for which it has been approved to have the correct corrosion resistance.

Avoid entrapment of liquid in the pump and associated piping due to closing of suction and discharge valves, which could cause dangerous excessive pressures to occur if there is heat input to the liquid. This can occur if the pump is stationary or running.

Bursting of liquid containing parts due to freezing must be avoided by draining or protecting the pump and ancillary systems.

Where there is the potential hazard of a loss of a seal barrier fluid or external flush, the fluid must be monitored.

If leakage of liquid to atmosphere can result in a hazard, the installation of a liquid detection device is recommended.

**1.6.4.7 Maintenance to avoid the hazard**

CORRECT MAINTENANCE IS REQUIRED TO AVOID POTENTIAL HAZARDS WHICH GIVE A RISK OF EXPLOSION

**The responsibility for compliance with maintenance instructions is with the plant operator.**

To avoid potential explosion hazards during maintenance, the tools, cleaning and painting materials used must not give rise to sparking or

adversely affect the ambient conditions. Where there is a risk from such tools or materials, maintenance must be conducted in a safe area.

It is recommended that a maintenance plan and schedule is adopted. (See section 6, *Maintenance*.)

**1.7 Nameplate and safety labels**

**1.7.1 Nameplate**

For details of nameplate, see the *Declaration of Conformity*.

**1.7.2 Warning labels**

**FLOWERVE**

**WARNING**

---

<b>ESSENTIAL PROCEDURES BEFORE STARTING :</b>	
INSTALL AND OPERATE EQUIPMENT IN ACCORDANCE WITH THE INSTRUCTION MANUAL SUPPLIED SEPARATELY.	
ENSURE UNIT ON A FIRM FOUNDATION AND THAT COUPLING FACES ARE IN CORRECT ALIGNMENT PRIOR TO AND AFTER BOLTING BASEPLATE DOWN AND FIXING PIPEWORK. SEE MANUAL FOR TOLERANCES.	 
ENSURE GUARDS ARE SECURELY IN PLACE.	
ENSURE CORRECT DRIVER DIRECTION OF ROTATION WITH COUPLING ELEMENT / PINS REMOVED ; OTHERWISE SERIOUS DAMAGE MAY RESULT.	 
ENSURE ALL EXTERNAL CONNECTIONS TO THE PUMP/SHAFT SEALING AND DRIVER ARE CONNECTED AND OPERATIONAL.	
<b>WARNING</b> THIS MACHINE MUST BE FILLED WITH OIL BEFORE STARTING.	 
FULLY PRIME UNIT AND SYSTEM DO NOT RUN UNIT DRY.	

---

**FAILURE TO FOLLOW THESE PROCEDURES MAY RESULT IN PERSONAL INJURY AND/OR EQUIPMENT DAMAGE**

**1.8 Specific machine performance**

For performance parameters see section 1.5, *Duty conditions*. Pump performance data are summarised



on pump data sheet which is included in proper section of "Job User's Instruction".

**1.9 Noise level**

When pump noise level exceeds 85 dBA attention must be given to prevailing Health and Safety Legislation, to limit the exposure of plant operating personnel to the noise. The usual approach is to control exposure time to the noise or to enclose the machine to reduce emitted sound. You may have already specified a limiting noise level when the equipment was ordered, however if no noise requirements were defined then machines above a certain power level will exceed 85 dBA. In such situations consideration must be given to the fitting of an acoustic enclosure to meet local regulations.

Pump noise level is dependent on a number of factors - the type of motor fitted, the operating conditions, pipework design and acoustic characteristics of the building. The levels specified in the table 1.1 are estimated and not guaranteed.

The dBA values are based on the noisiest ungeared electric motors that are likely to be encountered. They are Sound Pressure levels at 1 m (3.3 ft) from the directly driven pump, for "free field over a reflecting plane".

If a pump unit only has been purchased, for fitting with your own driver, then the "pump only" noise levels should be combined with the level for the driver obtained from the supplier. If the motor is driven by an inverter, it may show an increase in noise level at some speeds. Consult a Noise Specialist for the combined calculation.



For units driven by equipment other than electric motors or units contained within enclosures, see the accompanying information sheets and manuals.

**Typical sound pressure level, dBA, L<sub>DA</sub> at 1 m reference 20 µPa (L<sub>WA</sub> sound power 1pW where L<sub>DA</sub> >85 dBA)**

Motor size and speed		3500 rpm		2900 rpm		1750 rpm		1450 rpm	
		Pump only dBA	Pump & motor dBA	Pump only dBA	Pump & motor dBA	Pump only dBA	Pump & motor dBA	Pump only dBA	Pump & motor dBA
kW	(hp)								
<0.55	(<0.75)	72	72	64	65	62	64	62	64
0.75	(1)	72	72	64	66	62	64	62	64
1.1	(1.5)	74	74	66	67	64	64	62	63
1.5	(2)	74	74	66	71	64	64	62	63
2.2	(3)	75	76	68	72	65	66	63	64
3	(4)	75	76	70	73	65	66	63	64
4	(5)	75	76	71	73	65	66	63	64
5.5	(7.5)	76	77	72	75	66	67	64	65
7.5	(10)	76	77	72	75	66	67	64	65
11	(15)	80	81	76	78	70	71	68	69
15	(20)	80	81	76	78	70	71	68	69
18.5	(25)	81	81	77	78	71	71	69	71
22	(30)	81	81	77	79	71	71	69	71
30	(40)	83	83	79	81	73	73	71	73
37	(50)	83	83	79	81	73	73	71	73
45	(60)	86	86	82	84	76	76	74	76
55	(75)	86	86	82	84	76	76	74	76
75	(100)	87	87	83	85	77	77	75	77
90	(120)	87	88	83	85	77	78	75	78
110	(150)	89	90	85	87	79	80	77	80
132	(175)	89	90	85	87	79	80	77	80
150	(200)	89	90	85	87	79	80	77	80
160	(215)	(1)	(1)	(1)	(1)	83	84	81	83
200	(270)	(1)	(1)	(1)	(1)	85	87	83	85
300	(400)					87	90	85	86
315	(422)					87	90	85	86
355	(475)					87	90	86	87
500	(670)					88	(1)	86	(1)
1000	(1300)					90	(1)	88	(1)
1500	(2000)					90	(1)	90	(1)

(1) Noise levels of machines in this range should be based on actual equipment selected  
For 1180 and 960 r/min reduce the 1450 r/min values by 2dBA

For 880 and 720 r/min reduce the 1450 r/min values by 3dBA

## 2 TRANSPORT AND STORAGE

### 2.1 Consignment receipt and unpacking

Immediately after receipt of the equipment it must be checked against the delivery and shipping documents for its completeness and that there has been no damage in transportation.

Any shortage and or damage must be reported immediately to Flowserve and received in writing within one month of receipt of the equipment. Later claims cannot be accepted.

Check any crates, boxes and wrappings for any accessories or spare parts which may be packed separately with the equipment or attached to side walls of the box or equipment.

Each product has a unique serial number. Check that this number corresponds with that advised and always quote this number in correspondence as well as when ordering spare parts or further accessories.

### 2.2 Handling

Boxes, crates, pallets or cartons may be unloaded using fork-lift vehicles or slings dependent on their size and construction.

### 2.3 Lifting

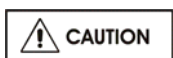


Make sure that any equipment used to lift the pump or any of its components is capable of supporting the weights encountered. Make sure that all parts are correctly rigged before attempting to lift.

A crane must be used for all pump sets in excess of 25 kg (55 lb). Fully trained personnel must carry out lifting, in accordance with local regulations. The driver and pump weights are recorded on general arrangement drawing included into the job user's instruction.

#### 2.3.1 To Lift unit

Pump, driver and baseplate can be lifted as a unit. Sling from all four (4) eye bolts provided on baseplate side rails. Failure to use all four (4) could result in permanent distortion of the baseplate. Use as long a sling as possible, or use a spreader arrangement.



**Coupling bolting and spacer piece must be removed from between pump and driver**

*half couplings before lifting baseplate with pumping element.*

*To lift pump and baseplate, less driver, or baseplate alone, sling from all four (4) eye bolts.*

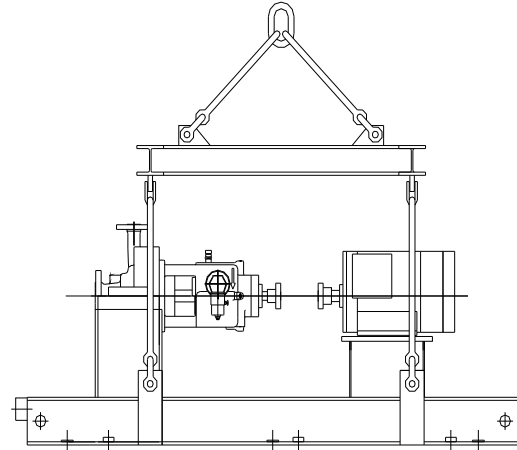


Figure 2.1



**Do not lift pump, motor, baseplate unit by slinging from pump casing and/or eye bolt on motor.**

#### 2.3.2 To lift driver

Refer to Manufacturers Instructions.

#### 2.3.3 To lift complete pump only

Rig lifting straps at coupling end of bearing housing and at suction nozzle. Make sure straps are adjusted to obtain an even lift.

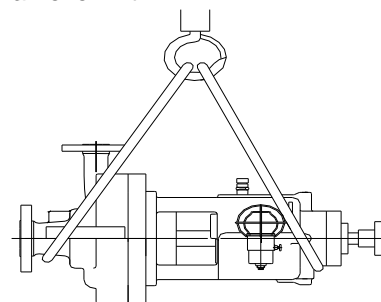


Figure 2.2

### 2.4 Storage



Store the pump in a clean, dry location away from vibration. Leave piping connection covers in place to keep dirt and other foreign material out of pump casing. Turn pump at intervals to prevent brinelling of the bearings and the seal faces, if fitted, from sticking.

Electric Motors (Pump Driver) should not be stored in damp places without special protection (Refer to Motor manufacturers instructions).

The pump may be stored as above for up to 6 months.

**2.4.1 Long term storage**

During extended periods of storage prior to installation, precautions must be taken to protect the pump from deterioration. The various parts of the pump are protected prior to shipment by applying varying grades of preservative to the parts. However, during shipment and handling the preservatives are subjected to conditions that can cause their removal. Also, during extended periods of time the preservatives may deteriorate. The listed procedures (2.4.1.1 to 2.4.1.5) should be followed to prevent deterioration of the pump during the extended storage period. These procedures may also be supplemented by the experience of the person(s) performing the tasks.

**2.4.1.1 Inspection upon arrival**

When the pump is received it should be inspected for damage or other signs of rough handling. If any damage is found it should be reported to the carrier immediately. Inspect the preservative coating on various parts. If necessary, renew preservative in areas where it has been rubbed or scraped.

Inspect all painted surfaces. If necessary, touch up the areas where paint has been chipped or scraped.

Inspect all covers over pump openings and piping connections. If covers or seals for the covers are damaged or loose, they are to be removed, and a visual inspection made of the accessible interior areas for accumulation of foreign materials or water. If necessary, clean and preserve the interior parts as noted above to restore the parts to the "as shipped" condition. Install or replace covers and fasten securely.

**2.4.1.2 Storage**



If at all possible, the pump and its component parts should be stored indoors where they will be protected from the elements. In no case should any pump element be subjected to extended periods of submergence or wetting prior to start up. If it is not possible to store the pump and its components indoors, precautions must be taken to protect them from the elements. Regardless of whether storage is indoors or outside, the storage area should be vibration free. All boxes marked for indoor storage should be stored indoors. When stored outdoors the pump and its components should

be protected from dirt, dust, rain, snow, or other unfavourable conditions by heavy plastic sheets, canvas, waterproof burlap or other suitable coverings. All equipment must be placed upon skids or blocks to prevent contact with the ground and surface contaminants. Equipment must be adequately supported to prevent distortion and bending.

The pump shaft should be rotated, in the direction of rotation, at least 1 and 1/4 turns each week during the storage period and any other periods of stand by. When selecting a storage area the following should be taken into consideration.

- a) The deterioration of the equipment will be proportionate to the class of storage provided.
- b) The expenses involved in restoring the equipment at time of installation will be proportionate to the class of storage provided.

**2.4.1.3 Inspection and maintenance**

The stored equipment has to be placed on a periodic inspection schedule by the purchaser.

The responsibility for setting up an inspection schedule rests with the purchaser and will be dependent upon the class of storage provided. It would be expected initially, inspection would occur weekly, then depending upon the inspection reports being favourable or unfavourable, inspection would continue weekly, monthly, or quarterly, as may be determined.

Each inspection should consist of a general surface inspection to assure that:

- a) Pump supports are firmly in place.
- b) Pump covers over openings are firmly in place.
- c) Pump coverings, plastic or tarps are firmly in place. Any holes or tears must be repaired to prevent entrance of dirt or water.
- d) Pump covers are periodically removed from openings and interior accessible areas inspected. If surface rusting has occurred, clean or coat with preservative.
- e) If rusting occurs on exterior surfaces clean and repaint or coat with preservative.
- f) Check individually wrapped parts for signs of deterioration. If necessary, renew preservative and wrapping.

Six months prior to the scheduled installation date, a FLOWERVE representative is to be employed to conduct an inspection. This inspection may include, not necessarily in its entirety and not limited to the following:

- a) An inspection of all periodic inspection records as kept on file by the purchaser, and all inspection

reports that have been compiled during the storage period.

- b) An inspection of the storage area to determine the "as stored" condition of the equipment prior to any protection covers being removed.
- c) An inspection of the equipment with protective covers and flange covers removed.
- d) Depending upon the length of time the equipment was stored, the type of storage provided (i.e. Indoor: heated, unheated, ground floor, concrete floor. Outdoors: under roof, no roof, waterproof coverings, on concrete, on ground) and as a result of the inspection of (a),(b) & (c) above the FLOWSERVE representative may require a partial or complete dismantling of the equipment.
- e) Dismantling may necessitate restoration of painted or preserved surfaces, and, or replacement of gaskets, "O" rings, packing and bearings.
- f) All costs involved during inspection, dismantling, restoration, replacement of parts and reassembly will have to be accounted to the purchaser. All necessary labour, tools and cranes will be supplied by the purchaser.

Upon completion of the inspection the FLOWSERVE representative shall submit a report to the purchaser, and to the Manager of Customer Service, stating in detail the results of the inspection.

One month prior to installation of the equipment, a FLOWSERVE representative is to be employed to conduct a final inspection. This inspection will be made to assure that the requirements of the six months inspection report were satisfactorily completed and that the equipment is ready for installation.

Upon completion of this inspection the FLOWSERVE representative shall submit a final report to the purchaser, and to the Manager of Customer Service, advising the results of the final inspection.

All costs involved in conducting the final inspection will have to be accounted to the purchaser.

Prior to and during start up, any requirements for the services of an FLOWSERVE representative will revert back to the original contract agreement for equipment purchased, with revised costing.

**2.4.1.4 Painting and preservation**

Paints and preservatives used are either FLOWSERVE standard or 'special' as required by the contract specification. Refer to FLOWSERVE for the description of paints and preservatives used on this order if needed

**2.4.1.5 Associated equipment**

Motors, Turbines, Gears, etc., being supplied by FLOWSERVE.

Generally rotors of associated equipment should be blocked to relieve bearing loads. Storage should be indoors and dry. See the specific manufacturers storage requirements.

**2.5 Recycling and end of product life**

At the end of the service life of the product or its parts, the relevant materials and parts should be recycled or disposed of using an environmentally acceptable method and local regulations. If the product contains substances which are harmful to the environment, these should be removed and disposed of in accordance with current regulations. This also includes the liquids and or gases in the "seal system" or other utilities.



Make sure that hazardous substances or toxic fluids are disposed of safely and that the correct personal protective equipment is used. The safety specifications must be in accordance with the current regulations at all times.

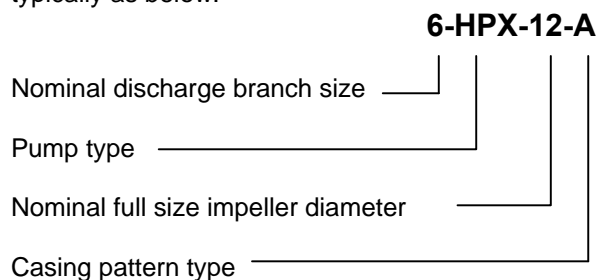
**3 PUMP DESCRIPTION**

**3.1 Configurations**

The type HPX pump is a single stage, horizontal, end suction process pump with overhung impeller and radially split casing, fully compliant to API 610/682 The range is designed for continuous service in all process applications including oil exploration and production, oil refining, petrochemical, chemical and general industrial usage.

**3.2 Nomenclature**

The pump size will be engraved on the nameplate typically as below:



The typical nomenclature above is the general guide to the HPX description. Identify the actual pump size and serial number from the pump nameplate. Check that this agrees with the applicable certification provided.

### 3.3 Design of major parts

#### 3.3.1 Pump casing

The casing is centre line supported with end suction and top discharge. It provides for the immediate containment of liquid being pumped as the liquid is directed from the suction nozzle through the impeller and then through the volute to the discharge nozzle. The casing has mounting feet integrally cast on the centerline of the pump thus giving a rigid construction and preventing distortion in high temperature applications. A wear ring is mounted in the casing to provide a close running clearance with the impeller wear ring.

#### 3.3.2 Impeller

The impeller is a single suction, radial flow, closed design. The impeller is dynamically balanced, keyed to the shaft and secured by locknut and lockscrew. Renewable wear rings are press fit onto the impeller hubs (front and back) and positively secured with axial screws or tack welding.

#### 3.3.3 Inducer and/or Coke Crusher

Inducers are available on most pump models for low NPSH conditions. The inducer replaces the standard impeller locknut and lockscrew. It is secured by proper cap nut and security washer.

Coke Crusher are provided on suction impeller to break up coke particles when produced in refining or petrochemical processes. If those particles are too large, they are trapped between impeller vanes and reduce or stall the flow. Coke Crusher prevents coke particles that are too large to travel between impeller vanes. Rotation carries particles around stator barrage lugs where the particles are crushed.

#### 3.3.4 Casing cover

The casing cover is either fabricated from plate or cast, depending on the material of construction. Designed to the dimensional standards within the API 682 specification 'Table 1', the seal chamber can accommodate a wide variety of single or dual seal arrangements as standard.

#### 3.3.5 Shaft

The shaft is of ample strength and rigidity. It is precision machined over its entire length and has generous fillet radii at each change of section to reduce stress concentrations. Shaft deflections at the seal chamber are minimal and fall within the guidelines stated in API 610.

An optional extra heavy duty shaft design, with very low I3/d4 values, is available on most centerline discharge pump sizes.

#### 3.3.6 Bearing housing

The bearing housing is fitted with an end cover on the outboard end for ease of inspection and maintenance. Each end of the housing is fitted with a standard labyrinth type shaft seal (made from non-sparking materials) to effectively retain the oil and prevent entry of any foreign matter. Special outsourced bearing isolators are available as an option. The standard bearing lubrication is provided by a shaft mounted metal slinger that transfers oil to bearing feed galleries within the housing wall.

Ring oil lubrication is optional. Two metal slingers are positively locked on the shaft with set screws and bearing lubrication is provided by a heavy duty oil ring. A plugged port on the top of the bearing housing is positioned to allow visual inspection of the oil ring. Oil mist lubrication is optional; "Purge" oil mist provisions are available on either slinger or ring oil designs. "Pure" oil mist (no slinger, no oil ring) is also available. TRICO constant level oiler is supplied as standard. For purge oil mist, a balanced type oiler is used. No oiler is supplied for pure oil mist. When application requires, the standard cooling system is a fan, either with slinger or oil ring lubrication. Optional water cooling is available, should this be a customer preference.

#### 3.3.7 Pump bearings and lubrication

Heavy duty, single row deep groove radial bearing and duplex angular contact thrust bearings arranged back to back ensure long life under the most severe operating conditions. The bearings have a sliding fit in the bearing housing and a light interference fit on the shaft in accordance with AFBMA recommendations. Lubrication of the bearings is provided by oil rings, thrower, purge mist or pure mist as a customer option.

#### 3.3.8 Shaft seal

The mechanical seal(s), attached to the pump shaft, seals the pumped liquid from the environment. Gland packing may be fitted as an option.

#### 3.3.9 Driver

The driver is normally an electric motor. Different drive configurations may be fitted such as internal combustion engines, turbines, hydraulic motors etc driving via couplings, belts, gearboxes etc.

#### 3.3.10 Coupling/Coupling guards

Flexible spacer couplings are provided in various makes and models to suit customer preference. (Aluminium non- hinged guards are provided)

### 3.3.11 Baseplate

Standard baseplates are welded steel, drain pan type in conformance with API 610 standardised dimensions. Horizontal driver alignment screws and vertical baseplate levelling screws are provided when required by API.

Special baseplates can be supplied to suit individual installation circumstances.

### 3.3.12 Accessories

Accessories may be fitted when specified by the customer.

Baseplates are fabricated and machined so to guarantee the flatness and parallelism of pads as required by API standard. The requirement is met by supporting and clamping the baseplate at the foundation bolt holes only.

## 3.4 Performance and operating limits

This product has been selected to meet the specifications of your purchase order see section 1.5.

These pumps are furnished for a particular service condition. Changes in the hydraulic system may affect the pump's performance adversely. This is especially true if the changes reduce the pressure at the suction flange or if the liquid temperature is increased. In case of doubt, contact the nearest FLOWSERVE office.

### 3.4.1 Effect of specific gravity

Pump capacity and total head in metres (feet) do not change with SG, however pressure displayed on a pressure gauge is directly proportional to SG. Power absorbed is also directly proportional to SG.

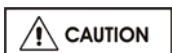
It is therefore important to check that any change in SG will not overload the pump driver or over-pressurise the pump.

### 3.4.2 Effects of viscosity

The pump is designed to deliver rated capacity and rated head for a liquid with a particular viscosity.

For a given flow rate the total head reduces with increased viscosity and increases with reduced viscosity. Also for a given flow rate the power absorbed increases with increased viscosity, and reduces with reduced viscosity.

When contemplating operation at some viscosity other than the one for which the pump was originally designed and/or applied, the changed conditions should be referred to FLOWSERVE for recommendations.



**When pump is handling heavy viscous liquid, the temperature of the liquid must**

**allow it to be pumped easily. Liquid may have to be heated prior to pump start-up.**

### 3.4.3 Changing the pump speed

Changing pump speed effects flow, total head, power absorbed,  $NPSH_R$ , noise and vibration. Flow varies in direct proportion to pump speed. Head varies as speed ratio squared. Power varies as speed ratio cubed. If increasing speed it is important therefore to ensure the maximum pump working pressure is not exceeded, the driver is not overloaded,  $NPSH_A > NPSH_R$ , and that noise and vibration are within local requirements and regulations.

### 3.4.4 Net Positive Suction Head (NPSH)

Any liquid, hot or cold, must be pushed into the impeller of the pump by absolute pressure, such as the atmospheric or vessel pressure from which the pump takes its suction.

The head in feet of liquid necessary to push the required flow into the pump is called Net Positive Suction Head. This value, more commonly called NPSH, is measured above the vapour pressure of the liquid at the pumping temperature.

There are two kinds of NPSH: the  $NPSH_R$  is the head required by the pump to cover the losses in the pump suction - that is shown on the pump characteristic curve. The second,  $NPSH_A$ , is the head available in the system, taking into account friction loss in suction piping, valves, fittings etc. In all cases the  $NPSH_A$ , measured above vapour pressure, must exceed the  $NPSH_R$  in order to push the liquid into the pump. Failure to have this will result in both bad performance and mechanical damage to the pump, and in certain cases actual pump failure.

If any change in  $NPSH_A$  is proposed, ensure its margin over  $NPSH_R$  is not significantly eroded. Refer to the pump performance curve to determine exact requirements particularly if flow has changed. If in doubt please consult your nearest Flowserve office for advice and details of the minimum allowable margin for your application.

### 3.4.5 Minimum Continuous Stable Flow

The Minimum Continuous Stable Flow for the pump is stated on the Data sheet.

### 3.4.6 Minimum flow control

In all cases, it is the customer's responsibility to supply a system and/or control which assures that any pump within a system is not operated below its minimum flow condition.

In many cases, this is not a problem because the system is operating within its own flow range to assure product delivery. A simple high pressure alarm, shut down and/or bypass control can be used.

However, in systems where product demand has high swings or where more than 100% capacity units are desired to support a product system, additional care must be taken.


**3.4.7 Thermal control**

A thermal control of the unit can be provided by thermal sensors which read direct or "related to" fluid temperatures and respond accordingly by opening additional flow paths until the given unit re-establishes the acceptable temperature rise, and sets off alarms if not achieved within reasonable/normal time periods. (High limit could actually shut down unit).


**3.4.8 Pressure and/or Flow Control**

Pressure and/or flow sensors can be used to hold the unit at higher flows by opening additional flow paths once a "high pressure limit" or "low flow limit" was indicated. Upon system reaching increased flow a "low pressure limit" or "high flow limit" setting would close the bypass flow path. Care must be taken to allow for signal spread to avoid cyclic conditions.

**3.4.9 Operating at Reduced Capacity**

 Damage to pump may result from prolonged operations at capacities less than MCSF as stated in Data Sheet.

**4 INSTALLATION**


 Equipment operated in hazardous locations must comply with the relevant explosion protection regulations. See section 1.6.4, *Products used in potentially explosive atmospheres*.

**4.1 Location**


Install the unit close to the source of the liquid to be pumped. It is desired to have a straight length of suction pipe (approx. 7 to 10 times the pipe diameter) just upstream of suction nozzle (No double turns). When selecting the location, be sure to allow adequate space for operation as well as for maintenance operations involving dismantling and inspections of parts. Head room is an important consideration as an overhead lift of some type is required.

**4.2 Part assemblies**

Motors may be supplied loose. It is the responsibility of the installer to ensure that the motor is assembled to the pump and lined up as detailed in section 4.5.2.

 Prior to grouting, an initial alignment check in accordance with the alignment section of this document shall be performed to verify that coupling spacing and final alignment can be achieved without modifying the hold down bolts or the machine feet. This is necessary to ensure that the baseplate was not damaged during the transportation.

**4.3 Foundation**

 There are many methods of installing pump units to their foundations. The correct method depends on the size of the pump unit, its location and noise vibration limitations. Non-compliance with the provision of correct foundation and installation may lead to failure of the pump and, as such, would be outside the terms of the warranty. The foundation should be sufficiently rigid and substantial to prevent any pump vibration and to permanently support the baseplate at all points. The most satisfactory foundations are made of reinforced concrete. These should be poured well in advance of the installation to allow sufficient time for drying and curing. The General Arrangement Drawing (In Job's User Instruction) will furnish overall outline of pump baseplate, anchor bolt locations, size of bolts, etc in order to provide proper shape to the primary concrete. Anchor bolts can be positioned or by a special template (not supplied by FLOWSERVE see figure 4.1) or by the baseplate itself if proper pockets have been provided in primary concrete.

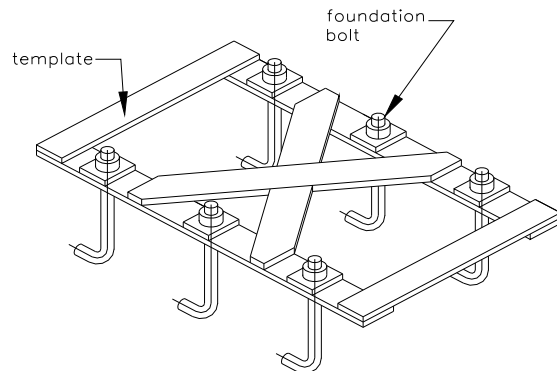


Figure 4.1  
Template for Hanging Foundation Bolts

Figure 4.2 below illustrates an alternative foundation bolt arrangement which can be used in lieu of standard foundation bolts. Notice the large washer with lugs at the bottom. It should be welded to the bolt and pipe sleeve to prevent turning.

Allow a little more than the specified threaded bolt length above the rail of the baseplate. The excess can always be cut off if it is not needed. A rough finish top surface is best when applying grout.

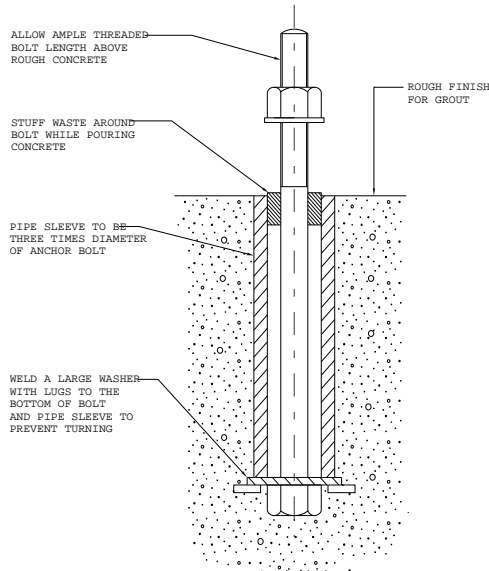


Figure 4.2

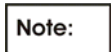
**4.3.1 Baseplate levelling**

Before putting the unit on the foundation, thoroughly clean the top of the foundation. Break off any loose pieces of cement and roughen the top with a chisel to afford a good hold for grout.

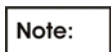
In case of installation over a steel structure (platform) ensure that the top of the steel structure is cleaned and degreased.



In order to obtain the parallelism and flatness of pads required by API standard, baseplate has to be properly levelled by levelling screws provided on it and clamping the baseplate at the foundation bolts only (For proper detailed procedure refer to Chapter 5 para 3.9.4 of API RP 686 ).



Coupling bolting and spacer piece must be removed from between the pump and driver half couplings before lifting baseplate with pumping element

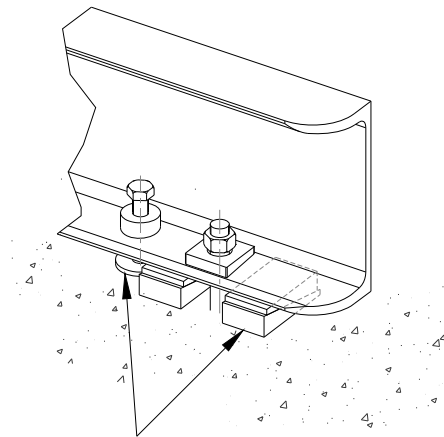


When the unit is mounted directly on structural steel framing, it should be located directly over as near as possible to the main building members, beams, or walls. A soleplate should be bolted or welded to the steel frame to guarantee the proper surface.



When lifting baseplate with pumping element, sling baseplate from all lifting lugs provided. Refer to Section 2.3.1

Prepare sufficient steel plates to be placed below each baseplate jacking screw furnished with the baseplate. The purpose of the plate is to spread the load of the screw without crushing the concrete below.



Not supplied

Figure 4.3

**4.3.2 Method of levelling baseplate using wedges or shims**

- a) Level the baseplate by using a machinist's level on the machined surfaces of the pump and driver pads. Levelling is best achieved by adjusting the shim pack thickness under each holding bolt. Carefully raise the baseplate by using either the baseplate jacking screws provided or by levering with a suitable pinch bar or by installing a low level hydraulic jack.
- b) Adjust the shim pack thickness and lower the baseplate.
- c) Repeat this procedure in a logical manner at each bolt position until the baseplate is both straight and levelled. A degree of 0.25 mm per metre (0.0035 inch per foot) length is achievable on most units with a maximum of 0.40 mm per metre length (0.005 inch per foot).
- d) In case of installation on steel structures (like platforms) proceed with these extra steps:
  - Using a calibrated pin with a cone point mark the centre of baseplate support pads mounting holes on the soleplate.
  - Lift and move away the pump skid.
  - Drill and tap the soleplate fixing holes.



- Replace the pump skid so that the soleplate fixing holes align with the baseplate support pads mounting holes.
  - Level the unit like done previously (see points a, b, c).
- e) When the baseplate is level, pull down the foundation bolts so they are snug or tighten the fixing bolts in case of installation on steel structure. This may have disturbed the baseplate, so re-check the levels.
- f) Ensure that shaft alignment per Section 4.5 can be achieved prior to grouting the baseplate.

**Note:** Do not vibrate baseplate when grouting, making sure baseplate is vented correctly and all areas are thoroughly puddle to prevent any resonant problems.  
When the grout is thoroughly hardened, remove the dam and wedges, if desired, filling in the holes they leave with grout.

**Note:** Pour grout until level reaches top of dam. Allow to dry sufficiently to prevent grout from overflowing while completing the remaining grouting.

### 4.4 Grouting

Build a dam around the foundation as shown in Figure 4.4 after levelling the baseplate. It is a matter of personal preference whether the levelling wedges under the baseplate should be removed after grouting. If you do not want to remove the wedges, carefully mark their locations before pouring grout.

**CAUTION** Before grouting, level machined pads of baseplate in both directions and perform a rough shaft/coupling alignment. Alignment after grout has set will not be possible if above is not satisfactorily completed.

#### 4.4.1 Fully Grouted Baseplates

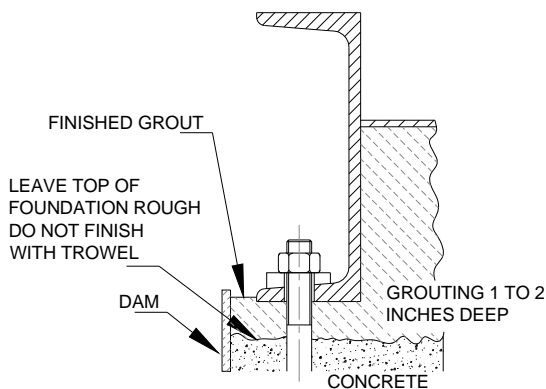


Figure 4.4

Use a good, high strength, non shrink grout mix and install as per manufacturer's instructions. Holes are provided in the baseplate to permit pouring the grout and stirring while acting as air vents. Fill under the baseplate completely, stirring to assure correct distribution of the grout. Check to see that the grout flows under the edges of the baseplate evenly.

#### 4.4.2 Baseplate not Intended for Grouting but Installed on Concrete Foundations

According to the figure 4.5 and 4.6 the baseplate will not be grouted but only a sealing shall be provided. During the preparation, as indicated on the General Arrangement drawing a certain number of openings into the sealing must be guaranteed. After the sealing the blocks used to realise the openings must be removed. Blocks have to be wider than the baseplate longitudinal beam in order to guarantee the opening for the drainage.

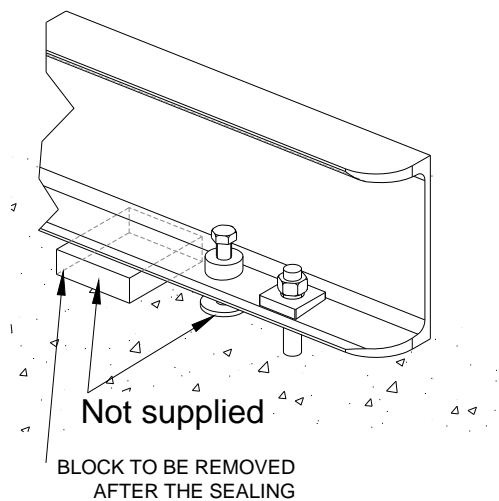


Figure 4.5

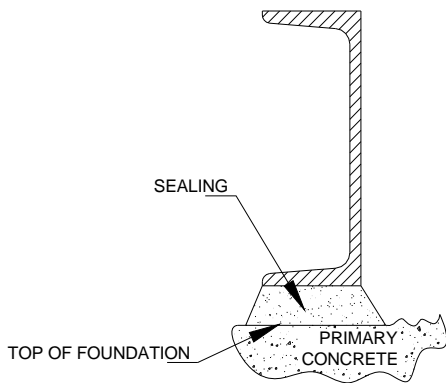


Figure 4.6

## 4.5 Initial alignment

### 4.5.1 Thermal expansion

**CAUTION** The pump and motor will normally have to be aligned at ambient temperature and should be corrected to allow for thermal expansion at operating temperature.

### 4.5.2 Alignment methods

**DANGER** Ensure pump and driver are isolated electrically and the half couplings are disconnected.

**CAUTION** The alignment **MUST** be checked. Although the pump will have been aligned at the factory it is most likely that this alignment will have been disturbed during transportation or handling. If necessary, align the motor to the pump, not the pump to the motor.

#### 4.5.2.1 Shaft/Coupling alignment

**CAUTION** Shaft alignment must be correct for successful operation. Rapid wear, noise, vibration and actual damage to the equipment may be caused by shaft misalignment. The shafts must be aligned within the limits given within this section.

**Note:** Adjustment to correct the alignment in one direction may alter the alignment in another direction. Always check in all directions after making any adjustment. Coupled equipment must be aligned to minimise unnecessary stresses in shafts, bearings and coupling. Flexible couplings will not compensate for appreciable misalignment. Foundation settling, thermal expansion or nozzle loads resulting in

baseplate/foundation deflection and vibration during operation may require the full coupling misalignment capability.

#### 4.5.2.1.1 Types of misalignment

There are two types of shaft misalignment: angular and offset. Therefore, two sets of measurements and corrections are required. Both types of misalignment can occur in horizontal and vertical planes and are present in most applications.

##### A) Angular misalignment

In angular misalignment, the centre line of the shafts intersect, but are not on the same axis.

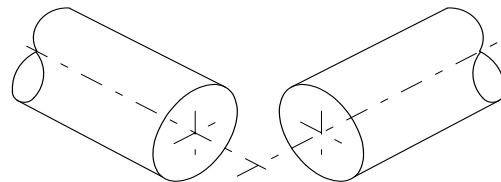


Figure 4.7

##### B) Offset misalignment

In offset misalignment, the shaft centre lines are parallel but do not intersect.

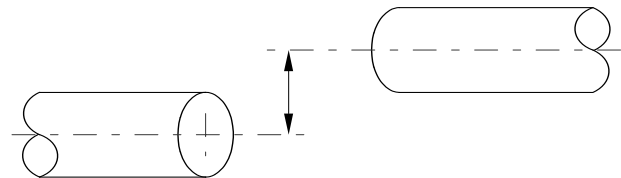


Figure 4.8 – offset misalignment

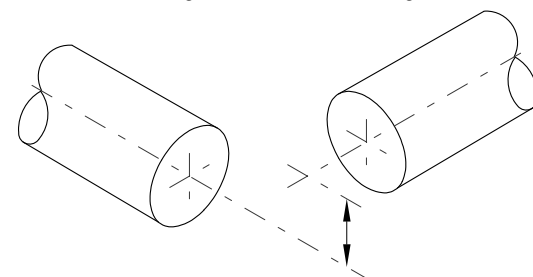


Figure 4.9 – combination of offset and angular misalignment

#### 4.5.2.2 Alignment using the reverse dial Indicator

The following practices are recommended when using the reverse method of alignment. These should be carried out prior to main alignment.

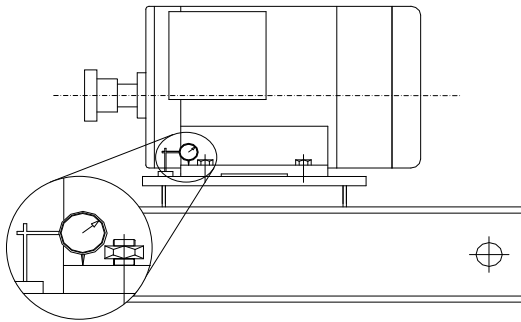


Figure 4.10

**CHECK FOR SOFT FOOT**

This is a check to ensure that there is no undue stress on the driver holding down bolts; owing to non-level baseplate or twisting. To check, remove all shims and clean surfaces and tighten down driver to the baseplate. Set a dial indicator as shown in sketch and loosen off the holding down bolt while noting any deflection reading on the Dial Test Indicator - a maximum of 0.05 mm (0.002 in.) is considered acceptable but any more will have to be corrected by adding shims, for example, if the Dial Test Indicator shows the foot lifting 0.15 mm (0.006 in.) then this is the thickness of shim to be placed under that foot. Tighten down and repeat the same procedure on all other feet until all are within tolerance

**Note:** If the driver is an electric motor with sleeve bearings then the magnetic centre at which the rotor will run must be set. This is usually done by lining up a groove in the shaft to a pointer fixed to the motor body (refer to Motor Manufacture’s instructions).

**⚡ DANGER** Ensure pump and driver are isolated electrically and the half couplings are disconnected.

**⚠ CAUTION** The alignment **MUST** be checked. Although the pump will have been aligned at the factory it is most likely that this alignment will have been disturbed during transportation or handling. If necessary, align the motor to the pump, not the pump to the motor. The alignment is achieved by adding or removing shims under the motor feet and also moving the motor horizontally as required. In some cases where the alignment cannot be achieved it will be necessary to move the pump before recommencing the above procedure.

For couplings with narrow flanges use a dial indicator as shown on figure 4.11 to check both parallel and angular alignment. For detailed alignment procedure refer to API RP686.

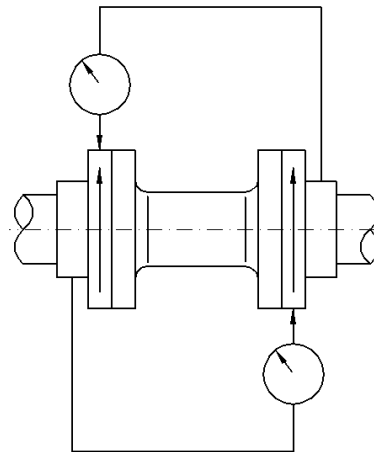


Figure 4.11

Maximum permissible misalignment at working temperature:

- Parallel 0.05 mm (0.002 in.) TIR
- Angular 0.05mm/100mm (0.0005In/In)

Pumps with thick flanged non-spacer couplings can be aligned by using a straight-edge across the outside diameters of the coupling hubs and measuring the gap between the machined faces using feeler gauges, measuring wedge or calipers.

When the electric motor has sleeve bearings it is necessary to ensure that the motor is aligned to run on its magnetic centreline.

Refer to the motor manual for details.

A button (screwed into one of the shaft ends) is normally fitted between the motor and pump shaft ends to fix the axial position.

**⚠ CAUTION** If the motor does not run in its magnetic centre the resultant additional axial force may overload the pump thrust bearing.

**⚠** Complete piping as below and see sections 4.7, “Final shaft alignment check” up to and including section 5, “Commissioning, start-up, operation and shutdown” before connecting driver and checking actual rotation.

**4.5.3 Shims**

The shims between the equipment feet and mounting surface should be clean and dry. This is especially critical for pumps in service for sometime and need to be realigned. Water, dirt and rust may change the

height of the shim pack over a period of time. Shims should be made large enough to support the weight of the equipment on its mounting foot. Do not use many thin shims as this may result in a spongy mounting.

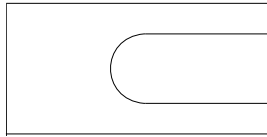


Figure 4.12  
Recommended shim design

Move the equipment vertically by adding or removing the calculated thickness of shims. Torque holding down bolts to required values.

**4.5.4 Hot alignment – Pump and driver dowels**

Pump hold down bolts are to be torqued down and dowel pins are to be located in pump feet as Figure 4.10. (This is only applicable if Hot Alignment is required)

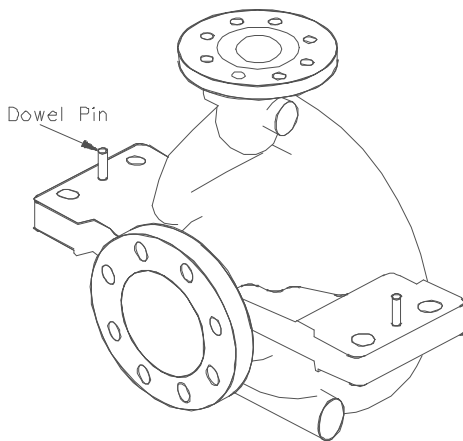


Figure 4.13  
Pump Dowel pin location

Refer to driver outline drawing and/or driver instructions for driver doweling information.

A hot check can only be made after the unit has been in operation a sufficient length of time to assume its NORMAL operating temperature and conditions. If the unit has been correctly cold set, the offset misalignment will be **within the limits stated on par 4.5.2.2** when in operation. If not make adjustments.

**! Do not attempt any maintenance, inspection, repair or cleaning in the vicinity of rotating equipment. Such action could result in injury to operating personnel.**

**! Before attempting any inspection or repair on the pump the driver controls must be in the "off" position, locked and tagged to prevent restarting equipment and injury to personnel performing service on the pump.**

**4.5.5 Assemble coupling**

- a) Assemble coupling as per the manufacturer's instructions included in Appendix of this manual.
- b) Install coupling guard

**4.5.6 Installation check list**

- a) Level Baseplate?
- b) Grout Baseplate - Check Foundation Bolts?
- c) Alignment Shaft/Coupling?
- d) Piping Installed - Correct Vent, Gauge, Valve, Suction Strainer Locations?
- e) All Flange Bolting Correctly Torqued with appropriate gaskets in place?
- f) Check Shaft/Coupling Alignment again.
- g) Coupling guard correctly installed?

**4.6 Piping**

**! CAUTION** Never use the pump as a support for piping

**4.6.1 General**

These units are furnished for a particular service condition. Changes in the hydraulic system may affect performance adversely. This is especially true if the changes reduce the pressure at the suction or if the liquid temperature is increased. In case of doubt contact FLOWSERVE

Suction and discharge piping should be of ample size, be installed in direct runs, and have a minimum of bends. Double bends must be avoided in suction line and a straight run of pipe, equal 7 to 10 times the pipe diameter is desired directly upstream of the suction nozzle.

In order to minimise friction losses and hydraulic noise in the pipework it is good practice to choose pipework that is one or two sizes larger than the pump suction and discharge. Typically main pipework velocities should not exceed 2 m/s (6 ft/sec) suction and 3 m/s (9 ft/sec) on the discharge.

**Note:** Provision must be made to support piping external to the pump to prevent excessive nozzle loads, maintain pump/driver alignment and avoid pipe induced vibrations.

Take into account the available NPSH which must be higher than the required NPSH of the pump.

Maximum forces and moments allowed on the pump flanges vary with the pump size and type. To minimize these forces and moments that may, if excessive, cause misalignment, hot bearings, worn couplings, vibration and the possible failure of the pump casing, the following points should be strictly followed:

- Prevent excessive external pipe load
- Never draw piping into place by applying force to pump flange connections
- Do not mount expansion joints so that their force, due to internal pressure, acts on the pump flange

**CAUTION** Ensure piping and fittings are flushed before use.

**!** Ensure piping for hazardous liquids is arranged to allow pump flushing before removal of the pump.

#### 4.6.2 Suction piping

- The inlet pipe should be one or two sizes larger than the pump inlet bore and pipe bends should be as large radius as possible.
- Keep the suction pipe free of all air pockets. (Vent is required).
- Pipework reducers should have a maximum total angle of divergence of 15 degrees.
- The piping should be inclined up towards the pump inlet with eccentric reducers incorporated to prevent air locks.
- Flow should enter the pump suction with uniform flow, to minimise noise and wear.
- Except if considerable foreign matter is expected strainers are not recommended in inlet piping. Inlet strainers, when used, should have a net "free area" (see section 4.6.2.1)

##### 4.6.2.1 Suction strainer

In a new installation, great care should be taken to prevent dirt, scale, welding beads and other items from entering the pump, as it is particularly important to protect the numerous close running fits from abrasive matter present in new piping

The suction system should be thoroughly flushed before installing the suction strainer and making up suction piping to the pump.

The suction strainer should be installed between 5 to 20 pipe diameters upstream from the pump suction flange.

**Note:** *The open area of the strainer should have a minimum of a 3 to 1 ratio to the area of the pump suction.*

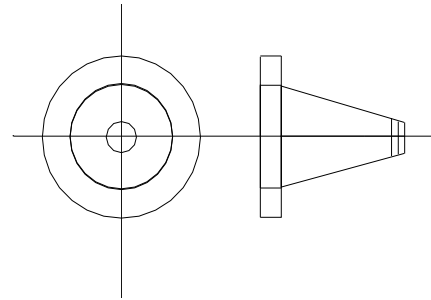


Figure 4.14  
Cone Type Strainer

The FLOWSERVE recommendation for suction strainers consists of a conical shaped steel plate. The plate has 1.6 mm (1/16 in.) perforations and is of sufficient size and thickness for the required flow. See Figure above.

Other type of strainers may be used as long as they conform to the requirements stated above.

Pressure gauges should be installed on both sides of the screen so that the pressure drop across the screen can be measured.

When the unit is being started, the gauges on each side of the screen should be carefully watched. An increase in the differential pressure between the two gauges indicates that the screen is becoming clogged with dirt and scale. At this point, the pump should be shut down, and the screen cleaned and/or replaced.

**Note:** *A spool piece should be installed in suction line so that the suction strainer may be installed and removed with a pressure gauge between the strainer and pump.*

##### 4.6.2.2 Bypass Line

**CAUTION** *Operation at low flows results in pump horsepower heating the liquid. A bypass may be required to prevent vaporisation and subsequent pump damage. Refer to local FLOWSERVE branch to determine if a bypass is required. Mechanical damage may result from continuous operation at flows less than specified.*

##### 4.6.3 Discharge piping

- Install a check valve and a gate valve in the discharge pipe of the pump. When the pump is stopped, the check valve will protect the pump against excessive pressure and will prevent the pump from running backward. The check valve should be installed between the gate valve and the pump nozzle in order to permit its inspection.

Never throttle pump on suction side and never place a valve directly on the pump inlet nozzle.

- b) Pipework reducers should have a maximum total angle of divergence of 15 degrees.

**4.6.4 Drains**

Pipe pump casing drains and gland leakage to a convenient disposal point.

**4.6.5 Pumps fitted with mechanical seals**

Cartridge mechanical seals are provided, to seal the shaft against leakage. The seals used on the "HPX" pump have internal design differences for sealing against specific liquids and conditions.

Long seal life with minimal leakage can only be obtained if the seals are provided with clean, cool liquid. Even tiny solids that may be suspended in the liquid being pumped can damage the seal faces and cause the seal to leak, making an external flush or a different seal arrangement necessary. The seal balancing and flushing arrangement provided for each pump is designed and fitted for the specific order requirements.

The "HPX" pump can be arranged with either a single, dual mechanical pump seal. Refer to the General Arrangement for piping connections to be used with your pump.

Mechanical seal replacement or servicing requires that the pull out element be removed from the casing. For removal of cartridge element refer to Manufacturer's instructions.

**4.6.5.1 Pumps fitted with gland packing**

When suction pressure is below ambient pressure it is necessary to feed the gland packing with liquid to provide lubrication and prevent the ingress of air. This is normally achieved with a supply from the pump discharge volute to the stuffing box.

If the pumped liquid is dirty and cannot be used for sealing, a separate clean compatible liquid supply to the gland is recommended.

**4.6.6 Final checks**


Check the tightness of all bolts in the suction and discharge pipework. Check also the tightness of all foundation bolts and auxiliary lines.


**4.7 Final shaft alignment check**


After connecting piping to the pump, rotate the shaft several times by hand to ensure there is no binding and all parts are free.


Recheck the coupling alignment, as previously described, to ensure no strain on coupling is due to pipe. If pipe strain exists, correct piping.


**4.8 Electrical connections**

 **DANGER** Electrical connections must be made by a qualified Electrician in accordance with relevant local national and international regulations.

 It is important to be aware of the EUROPEAN DIRECTIVE on potentially explosive areas where compliance with IEC60079-14 is an additional requirement for making electrical connections.


 It is important to be aware of the EUROPEAN DIRECTIVE on electromagnetic compatibility when wiring up and installing equipment on site. Attention must be paid to ensure that the techniques used during wiring/installation do not increase electromagnetic emissions or decrease the electromagnetic immunity of the equipment, wiring or any connected devices. If in any doubt contact Flowserve for advice.

 **DANGER** The motor must be wired up in accordance with the motor manufacturer's instructions (normally supplied within the terminal box) including any temperature, earth leakage, current and other protective devices as appropriate. The identification nameplate should be checked to ensure the power supply is appropriate.


 A device to provide emergency stopping must be fitted.

If not supplied pre-wired to the pump unit, the controller/starter electrical details will also be supplied within the controller/starter.

For electrical details on pump sets with controllers see the separate wiring diagram.

 **CAUTION** See section 5.3, *Direction of rotation* before connecting the motor to the electrical supply.

**4.9 Protection systems**

 The following protection systems are recommended particularly if the pump is installed in a potentially explosive area or is handling a hazardous liquid. If in doubt consult Flowserve.

If there is any possibility of the system allowing the pump to run against a closed valve or below

minimum continuous safe flow a protection device should be installed to ensure the temperature of the liquid does not rise to an unsafe level.

If there are any circumstances in which the system can allow the pump to run dry, or start up empty, a power monitor should be fitted to stop the pump or prevent it from being started. This is particularly relevant if the pump is handling a flammable liquid.

If leakage of product from the pump or its associated sealing system can cause a hazard it is recommended that an appropriate leakage detection system is installed.

To prevent excessive surface temperatures at bearings it is recommended that temperature or vibration monitoring are carried out. See sections 5.7.4 and 5.7.5.

**5 COMMISSIONING, START-UP, OPERATION AND SHUTDOWN**

**CAUTION** *These operations must be carried out by fully qualified personnel.*

**5.1 Pre-commissioning procedure**

The following steps should be followed at initial start up and after the equipment has been overhauled:

- a) Prior to installing the pump, flush the suction side of the system to remove all deposit (slag, bolts etc).
- b) Ensure the pump and piping is clean. Before putting the pump into operation, the piping should be thoroughly back flushed to remove any foreign matter which may have accumulated during installation. Take all possible care not to contaminate your system.
- c) Install suction strainer if required. (See Section 4.6.2.1).
- d) Fill the bearing housing with the appropriate oil to the correct level. Bearing must receive a small amount of oil prior to starting to ensure adequate lubrication at start up. (Refer to Section 5.1.1).
- e) Turn pump rotor by hand or with a strap wrench to make sure it turns smoothly.
- f) Assure that correct seal piping has been installed and has not been damaged.
- g) Prior to coupling installation, bump start motor to check for correct rotation. If rotation is not correct refer to motor manual for appropriate connections to change rotation (Shut down all power prior to change).

- h) Ensure coupling is correctly aligned and lubricated, and pump and driver is satisfactorily doweled. (Refer to Section 4.5).
- i) Ensure coupling guard is correctly installed.

**The unit must not be operated unless coupling guard is securely and completely bolted in place. Failure to observe the warning could result in injury to operating personnel.**

- j) Check torque of all bolting and the plugs for tightness

**5.1.1 Lubrication**

Lubrication of bearing is by oil circulation into the bearing housing provided by oil ring, slinger or pure oil mist. A constant level oiler is normally furnished (except for pure oil mist lubrication) with the pump unless otherwise specified.

**5.1.1.1 Oil ring or Slinger Lubrication**

Before filling the bearing housing reservoir, flush out the housing thoroughly with safety solvent and a leading grade of flushing oil, compatible with the lubricating oil that will be used. The reservoir is to be filled to appropriate level as illustrated in figure 5.1.

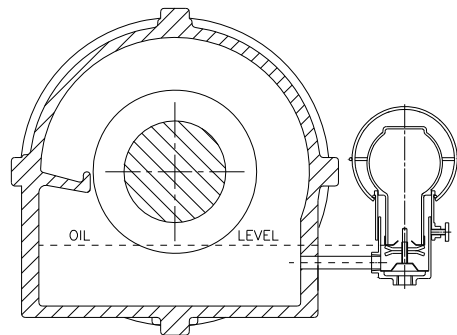


Figure 5.1

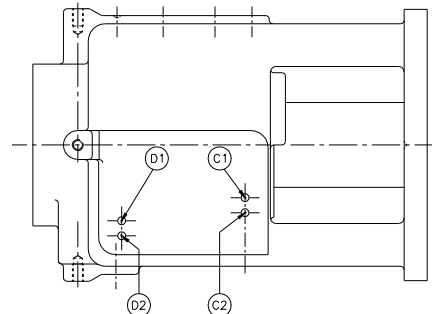


Figure 5.1

D1: oiler connection with slinger lubrication  
C1: overflow plug with slinger lubrication

D2: oiler connection with oil ring lubrication  
 C2: overflow plug with oil ring lubrication

The oil level must be maintained at the correct level: oil lack may cause overheating and failure of the bearings, while exceeding the correct level can result in leakage from the labyrinth seals. The constant level oiler can be adjusted by changing the height of the cross arms which support the glass reservoir, as illustrated for TRICO oiler in section 5.1.1.1.1

The oil circulation is ensured by slinger or oil ring according to the description as follow (see figure 5.2).

line bearing side lubrication

- (1)-(2) the slinger (or oil ring if supplied) splash the oil from the oil sump to the bearing housing walls
- (3)-(4) the oil is collected by the oil collector and reaches the line bearing through the hole "E"
- (5) the oil returns into the oil sump once it flows into the line bearing

thrust bearings side lubrication

- (1)-(2) the slinger (or oil ring if supplied) drives the oil from the oil sump to the bearing housing wall
- (3)-(4) the oil is collected by the oil collector and reaches the thrust bearing through the hole "F"
- (6) the oil is collected behind the thrust bearings and returns into the oil sump once it flows into the thrust bearings
- (7) the oil level is regulated by the overflow hole "G". Through this hole the oil returns into the sump.

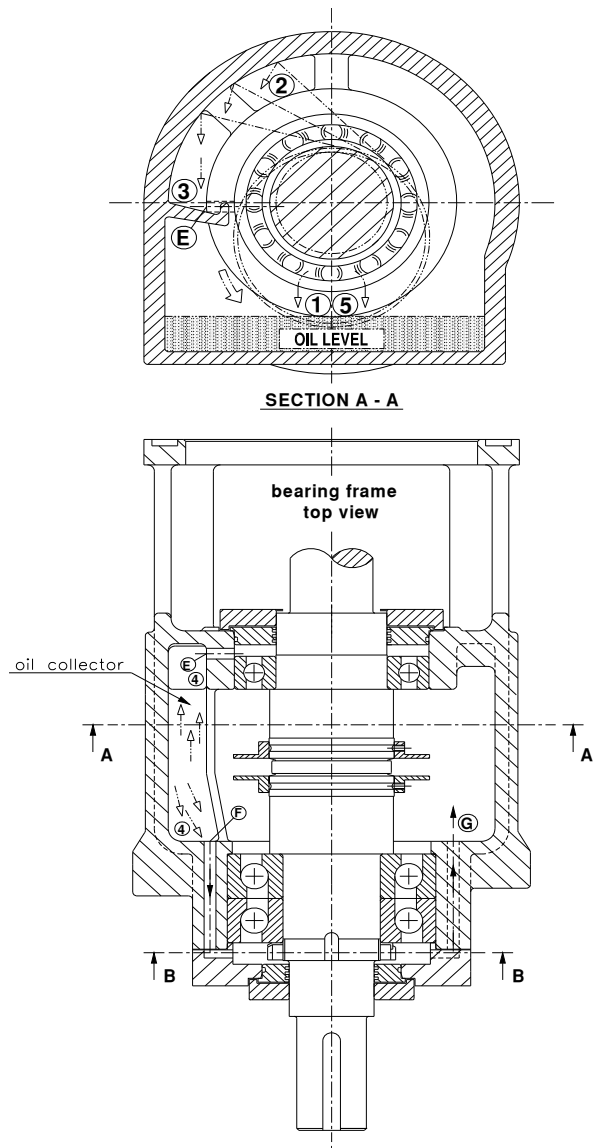


Figure 5.2

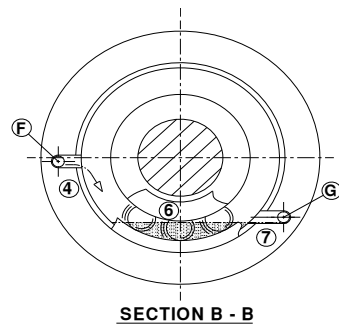


Figure 5.2



**5.1.1.1.1 Trico oiler setting (standard)**

- a) Initial fill via top of housing, using overflow plug to establish correct level (see Section 5.1.1.1 illustration).
- b) Release thumb screw and remove bottle. Establish a measurement from the centre line of the oiler connection in bearing housing to the upper cross arm of 6 mm (0.24 in.); this can be obtained by completely screwing down the lower arm as illustrated on figure 5.3.
- c) Fill bottle with recommended oil and install on holder. Remove and fill bottle as many times as is required to fill the bearing housing up to the cross arm level and no air bubbles appear in the bottle.
- d) Remove bottle and ascertain that the oil level is 6 mm (0.24 in.) from the centre line of oiler connection. Adjust upper cross arm as required and lock in place with lower arm.

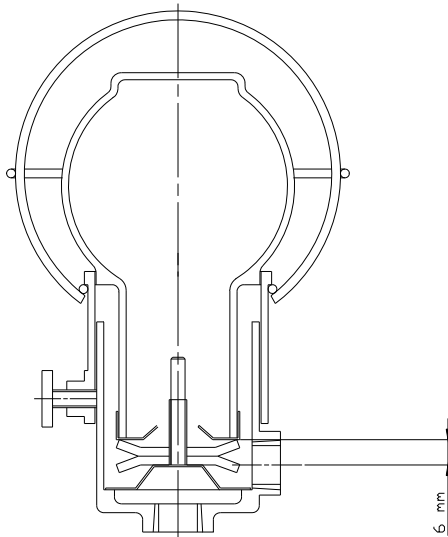


Figure 5.3

**5.1.1.1.2 Inspection**

Inspect the oil level in the bearing housing at least once a day. Inspect the condition of the oil at least weekly. Oil is always subject to gradual deterioration from use and contamination from dirt and moisture which is the cause of premature bearing wear.



For oil lubricated pumps, fill the bearing housing with correct grade of oil to the correct level, i.e. constant level oiler bottle (standard configuration) and sight glass (when fitted on request).



Figure 5.4  
Sight glass

**5.1.1.1.3 Replenishment**

Replenish the oil in the oiler as required. More frequent replenishment at high temperatures may be required.

**5.1.1.1.4 Oil change**

Frequency of oil change is dependent on pump service and environmental conditions. As a general guide, oil in the bearing housing should be changed every 4000 operating hours, after the initial change.

**5.1.1.1.5 Lubrication Specification**

The ideal bearing lubricant is a straight well refined, neutral mineral, preferably of the turbine type. It should not contain free acid, chlorine sulphur or more than a trace of free alkali. It is suggested that the oil conform to the following physical characteristics.

**5.1.1.2 Pure Oil Mist Lubrication**

If the pump bearing housing is arranged for pure oil mist lubrication the following connections are provided in the bearing housing:

- 1/4" NPT with adapter oil mist inlet connection in the top half of the bearing housing, between line and thrust bearings.
- 1/4" NPT vent connection in the space between the rolling element bearing and the inboard/outboard bearing housing cover.
- 1/2" NPT drain connection in the bottom half of the bearing housing.

Remove inlet and outlet pipe plugs from above connections. Install appropriate reclassifier in the top opening, leave open vent connections, connect oil recovery trap to bottom opening or leave it open to act as a relief. Refer to Figure 5.5 for details.

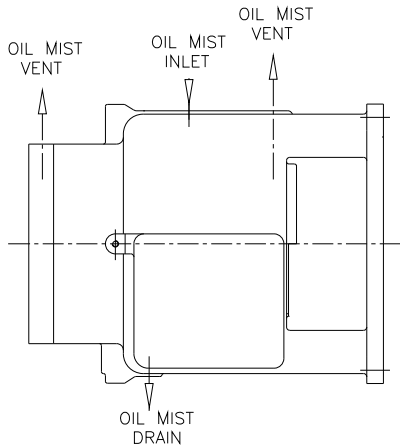


Figure 5.5

No oil ring, slinger or constant level oiler are supplied.

**5.1.1.3 Purge Oil Mist Lubrication**

If the pump bearing housing is arranged for purge oil mist lubrication the following connections are provided in the bearing housing:

- ¼" NPT with adapter oil mist inlet connection in the top half of the bearing housing, between line and thrust bearings.
- ¼" NPT vent connection in the space between the rolling element bearing and the inboard/outboard bearing housing cover.
- ½" NPT drain connection in the bottom half of the bearing housing.

Remove inlet and outlet pipe plugs from above connections. Install appropriate reclassifier in the top opening, leave open vent connections, connect oil recovery trap to bottom opening or leave it open to act as a relief. Refer to Figure 5.5 for details.

Also this configuration include the internals like slinger or oil ring as specified in section 5.1.1.1 and a special constant level oiler designed for the Purge arrangement.

## 5.2 Pump Lubricants

### 5.2.1 Recommended oil lubricants

Centrifugal Pump Lubrication	Oil	Oil Ring or Slinger Lubrication			Pure Oil Mist Lubrication
	Lubrication service	Ball Bearing			
	Type	Mineral Oil (Petroleum Based)			Mineral Oil (Petroleum Based)
	Viscosity mm <sup>2</sup> /s 40 °C [cSt]	32	46	68	100
	Oil temperature range * °C (°F)	-5 to 65 (-23 to 149)	up to 75 (up to 167)	up to 85 (up to 185)	-30 and above (59 and above)
	Approx. Consumption continuous operation	0.12 litres / month ¼ pint per month	0.12 litres / month ¼ pint per month	0.12 litres / month ¼ pint per month	0.12 litres / month ¼ pint per month
	Running in Period	500 hours	500 hours	500 hours	500 hours
	First Oil Charge	500 hours	500 hours	500 hours	500 hours
	Further Oil Changes	4000 hours	4000 hours	4000 hours	4000 hours
	One Year Consumption	1.44 litres approx. max	1.44 litres approx. max	1.44 litres approx. max	1.44 litres approx. max
Designation according to DIN51502 ISO VG	32	46	68	100	
Oil Companies and Lubricants	<b>BP</b>	BP Energol HL32 BP Energol HLP32	BP Energol HL46 BP Energol HLP46	BP Energol HL68 BP Energol HLP68	-
	<b>CASTROL</b>	Perfecto T32	Perfecto T46	Perfecto T68	-
	<b>DEA</b>	Anstron HL32 Anstron HLP32	Anstron HL46 Anstron HLP46	Anstron HL68 Anstron HLP68	-
	<b>Elf</b>	OLNA 32 HYDRELEF 32 TURBELF 32 ELFOLNA DS32	TURBELF SA46 ELFOLNA DS46	TURBELF SA68 ELFOLNA DS68	-
	<b>Esso</b>	TERESSO 32 NUTO H32	TERESSO 46 NUTO H46	TERESSO 68 NUTO H68	-
	<b>LSC (for oil mist)</b>	LSO 32 Synthetic oil	LSO 46 Synthetic oil	LSO 68 Synthetic oil	LSO 100 Synthetic oil
	<b>Mobil</b>	Mobil DTE oil light Mobil DTE13M MobilDTE24	Mobil DTE oil medium Mobil DTE15M Mobil DTE25	Mobil DTE oil heavy medium Mobil DTE26	-
	<b>Q8</b>	Q8 Verdi 32 Q8 Haydn 32	Q8 Verdi 46 Q8 Haydn 46	Q8 Verdi 68 Q8 Haydn 68	-
	<b>Shell</b>	Shell Tellus 32 Shell Tellus 37 Shell Turbo T32	Shell Tellus 01 C 46 Shell Tellus 01 46 Shell Turbo T46	Shell Tellus 01 C68 Shell Tellus 01 68 Shell Turbo T68	-
	<b>Texaco</b>	Rando Oil HD 32 Rando Oil HD-AZ-32	Rando Oil 46 Rando Oil HD B-46	Rando Oil 68 Rando Oil HD C-68	-
	<b>Total</b>	Azolla ZS32	Azolla ZS46	Azolla ZS68	-
	<b>Wintershall (BASF Group)</b>	Wiolan HN32 Wiolan HS32	Wiolan HN46 Wiolan HS46	Wiolan HN68 Wiolan HS68	-

(\*) Note that it normally takes 2 hours for bearing temperature stabilize and the final temperature will depend on the ambient, r/min, pumpage temperature and pump size. Also some oils have a greater Viscosity Index than the minimum acceptable of 95 (e.g. Mobil DTE13M) which may extend the minimum temperature capability of the oil. Always check the grade capability where the ambient is less than -5 °C (-23 °F).

If a synthetic lubricant (fire resistant fluid) is to be used instead of the normal type oil for the lubrication of bearings, gears etc., the material of all gaskets and "O" rings in contact with the lubricant must be compatible with the lubricant. Normal gasket materials will usually swell and deteriorate when immersed in synthetic lubricants: also normal paints will peel from internal walls of reservoirs and bearing chambers.

In case of Pure Oil Mist lubrication the lubricant oil should be rust and oxidation inhibited and stray mist suppressed, manufactured in accordance with good commercial practice. The viscosity should be ISO VG 100. Recommended Oil Suppliers are according to the previous list

**5.2.2 Recommended fill quantities**

Bearing Housing Size (*)	Bearing Designation	Oil Fill Capacities litres (fl. oz.)	
		Slinger	Oil Ring
G040B159	7308	1.51 (51.05)	1.13 (38.21)
G050B159	7311	1.34 (45.31)	0.85 (28.74)
G070B159	7314	1.83 (61.87)	1.02 (34.49)
G090B159	7315	4.43 (149.78)	2.82 (95.34)
G090B159	7316	4.17 (140.99)	2.60 (87.91)
G105B159	7320	5.18 (175.14)	4.5 (152.15)

Oil Slinger or Oil Ring

\* The bearing housing size can be identified from the identifying marks cast on the housing on the horizontal centre line in the opposite side to the oiler and from the thrust bearing side indicated by nameplate.

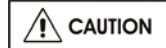
Bearing Housing Size (*)	Bearing Designation	MIST Consumption	OIL Consumption
		l/min (feet <sup>3</sup> /min)	cc/min (inch <sup>3</sup> /min)
G040B159	7308	6 (0.212)	0.024 (0.0015)
G050B159	7311	8.5 (0.300)	0.034 (0.002)
G070B159	7314	11 (0.388)	0.044 (0.0027)
G090B159	7315	11 (0.388)	0.044 (0.0027)
G090B159	7316	12.5 (0.441)	0.05 (0.003)
G105B159	7320	15.25 (0.539)	0.06 (0.0037)

Pure and Purge Oil Mist

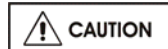
**5.2.3 Bearing housing oil limitations**

Recommended Oil Temperature At Start Up	15.6 °C 60 °F
Desirable Operating Temperature	60-71 °C 140-160 °F
Oil Level Above Oil Connection Centre line	6 mm

When the starting temperature is below -10 °C (14 °F) for long time it's suggested to use synthetic oil. Other drivers and gearboxes, if appropriate, should be lubricated in accordance with their manuals.



In the case of product lubricated bearings the source of product supply should be checked against the order. There may be requirements for an external clean supply, particular supply pressure or the commencement of lubrication supply before pump start-up.



**5.2.4 Lubrication schedule**

**5.2.4.1 Oil lubricated bearings**

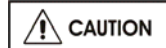
Normal oil change intervals are 4000 operating hours or at least every 6 months. For pumps on hot service or in severely damp or corrosive atmosphere, the oil will require changing more frequently. Lubricant and bearing temperature analysis can be useful in optimising lubricant change intervals.

The lubricating oil should be a high quality mineral oil having foam inhibitors. Synthetic oils may also be used if checks show that the rubber oil seals will not be adversely affected.

Based on the specified operating conditions and an ambient temperature of 43°C (110°F) for ring-oiled or splash systems, oil sump temperature below 82°C (180°F) is expected.

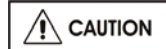
A continuously rising temperature, or an abrupt rise, indicates a fault.

**5.3 Direction of rotation**



Ensure the pump is given the same rotation as the pump direction arrow fit on bearing housing. In any case the direction of rotation must be checked with the pump disconnected.

To avoid dry running the pump must either be filled with liquid or have the flexible coupling disconnected before driver is switched on.




If maintenance work has been carried out to the site's electricity supply, the direction of rotation should be re-checked as above in case the supply phasing has been altered.


**5.4 Guarding**




Guarding is supplied fitted to the pump set. If this has been removed or disturbed ensure that all the protective guards around the pump coupling and exposed parts of the shaft are securely fixed.

## 5.5 Priming and auxiliary supplies


 **CAUTION** Ensure all electrical, hydraulic, pneumatic, sealant and lubrication systems (as applicable) are connected and operational.


 **CAUTION** Ensure the inlet pipe and pump casing are completely full of liquid before starting continuous duty operation.

 **CAUTION** Before starting or while operating the pump, the casing and suction line must be completely filled with the liquid being pumped. The rotating parts depend on this liquid for lubrication and the pump may seize if operated without liquid.

## 5.6 Starting the pump

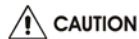
- Close discharge valve if valve is not already closed, and then crack open to assure minimal flow. (Do not start unit with fully closed valve). On first starts care must be taken not to cause a system water hammer.
- Prepare the driver for start up in accordance with the driver manufacturer's instructions.
- Warm up pump (if applicable).
- Avoid severe thermal shocks to the pump as the result of sudden liquid temperature changes. The pump must be preheated prior to start up. Unless otherwise specified the thermal temperature of the casing must be within 55 °C (130 °F) of the temperature of the liquid to be pumped at time of start up. Due to the heavy metal sections, the casing will lag the liquid temperature during such changes, and severe temperature stresses and subsequent misalignment of machined fits may result. Preheating is accomplished by circulating a small amount of hot fluid through the casing by utilising vents, drains or bypass from discharge. Preheat pump slowly at a rate not to exceed 55 °C per hour (130 °F per hour).
- Prime pump and ensure suction valve is open.

 **CAUTION** *Ensure flushing and/or cooling/heating liquid supplies (if required) are turned ON before starting the pump.*

 **CAUTION** *Before starting or while operating the pump, the casing and suction line must be completely filled with the liquid being pumped. The rotating parts depend on this liquid for*


*lubrication and the pump may seize if operated without liquid.*

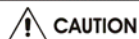
- Ensure pump recirculating line (if required) is open, clear and free of obstructions.
- Check that pump is vented by observing leakage from casing vent (when fitted) and seal piping vent. Close vent (if fitted) when liquid is emitted.
- Turn on cooling liquid and assure correct flow exists (to cooler, insert gland etc.) as specified.
- Double check pump rotation by starting unit momentarily. **The direction of input shaft rotation is counter clockwise when facing pump shaft from coupling end. Ensure that the pump coasts down to a gradual stop.**

 **CAUTION** *If pump stops abruptly when driver is shut down, investigate for pump binding. Take necessary remedial action before resuming operation.*

- Start the driver and bring it up to speed quickly.
- As soon as the pump is up to rated speed slowly open discharge valve.
- This will avoid abrupt changes in velocity and prevent surging in the suction line.
- Perform the operating checks

## 5.7 Operating checks

 **CAUTION** *In the interest of operator safety the unit must not be operated above the nameplate conditions. Such operations could result in unit failure causing injury to operating personnel. Consult user instruction book for correct operation and maintenance of the pump and its supporting components.*

 **CAUTION** *Operation at low flows results in pump heating the liquid. A bypass may be required to prevent vaporisation and subsequent pump damage. Refer to local FLOWSERVE branch to determine if a bypass is required. Mechanical damage may result from continuous operation at flows less than the specified minimum continuous stable flow.*

Immediately after start up, and frequently during running check the following:

- Check suction and discharge pressure gauges.
- Check pressure gauges on each side of suction strainer.
- Check for excessive leakage at seal areas.

- d) Check for unusual noises.
- e) Check oil level in bearing housing. (Refer to Section 5).

**⚠ Operation of the unit without correct lubrication can result in overheating of the bearings, bearing failures, pump seizures and actual break-up of the equipment exposing operating personnel to physical injury.**

- f) Check for vibrations.
- g) Check for adequate flow of cooling liquids.
- h) Check for hot alignment: for services 55 °C (130 °F) and more above ambient, after unit has been operated a sufficient period of time to reach normal operating temperature and condition, the unit is to be shut down and a "HOT" coupling alignment check must be made (Refer to Section 4.5.4).

**5.7.1 Venting the pump**

**⚠** Vent the pump to enable all trapped air to escape taking due care with hot or hazardous liquids.

Under normal operating conditions, after the pump has been fully primed and vented, it should be unnecessary to re-vent the pump.

**5.7.2 Pumps fitted with mechanical seal**

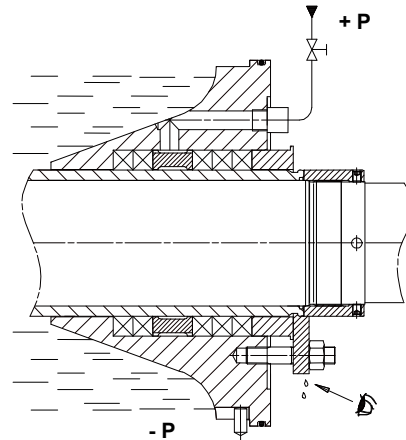
Mechanical seals require no adjustment. Any slight initial leakage will stop when the seal is run in.

Before pumping dirty liquids it is advisable, if possible, to run in the pump mechanical seal using clean liquid to safeguard the seal face.

**⚠ CAUTION** External flush or quench should be started before the pump is run and allowed to flow for a period after the pump has stopped.

**⚠ CAUTION** Never run a mechanical seal dry, even for a short time.

**5.7.2 .1 Pumps fitted with packed gland**



If the pump has a packed gland there must be some leakage from the gland. Gland nuts should initially be finger-tight only. Leakage should take place soon after the stuffing box is pressurised.

**Ex** The gland must be adjusted evenly to give visible leakage and concentric alignment of the gland ring to avoid excess temperature. If no leakage takes place the packing will begin to overheat. If overheating takes place the pump should be stopped and allowed to cool before being re-started. When the pump is re-started, check to ensure leakage is taking place at the packed gland.

If hot liquids are being pumped it may be necessary to slacken the gland nuts to achieve leakage.

The pump should be run for 30 minutes with steady leakage and the gland nuts tightened by 10 degrees at a time until leakage is reduced to an acceptable level, normally a minimum of 120 drops per minute is required. Bedding in of the packing may take another 30 minutes.

**⚠** Care must be taken when adjusting the gland on an operating pump. Safety gloves are essential. Loose clothing must not be worn to avoid being caught up by the pump shaft. Shaft guards must be replaced after the gland adjustment is complete.

**⚠ CAUTION** Never run gland packing dry, even for a short time.

**5.7.3 Bearings**

**Ex** If the pumps are working in a potentially explosive atmosphere temperature or vibration monitoring at the bearings is recommended

If bearing temperatures are to be monitored it is essential that a benchmark temperature is recorded at the commissioning stage and after the bearing temperature has stabilised (see 5.2.4.1 for temperature limits).

When a oil temperature sensor is provided:

- set the alarm at 82 °C (180 °F) and the trip at 90 °C (194 °F) for high ambient temperature and/or hot service

When the bearing temperature sensor is provided:

- set the alarm at 93 °C (180 °F) and the trip at 105 °C (200 °F)

It is important, to keep a check on bearing temperatures. After start up the temperature rise should be gradual, reaching a maximum after approximately 1.5 to 2 hours. This temperature rise should then remain constant or marginally reduce with time.

**5.7.4 Normal vibration levels, alarm and trip**

For guidance, pumps generally fall under a classification for rigid support machines within the International rotating machinery standards and the recommended maximum levels below are based on those standards.

Alarm and trip values for installed pumps should be based on the actual measurements (N) taken on the pump in the fully commissioned as new condition. Measuring vibration at regular intervals will then show any deterioration in pump or system operating conditions.

Vibration velocity – unfiltered mm/s (in./s) r.m.s.	HPX mm/s (in./s) r.m.s.
Normal <b>N</b>	≤ 5 (0.2)
Alarm <b>N</b> x 1.25	≤ 6.2 (0.25)
Shutdown trip <b>N</b> x 2.0	≤ 10 (0.4)

**5.7.5 Stop/start frequency**

Pump sets are normally suitable for the number of equally spaced stop/starts per hour shown in the table below. Check actual capability of the driver and control/starting system before commissioning.

Motor rating kW (hp)	Maximum stop/starts per hour
Up to 15 (20)	15
Between 15 (20) and 90 (120)	10
Above 90 (120)	6

Where duty and standby pumps are installed it is recommended that they are run alternately every week.

**5.8 Normal Start Up**

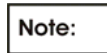
The starting procedure to be followed for normal start up is the same as that for initial starting with the exception that Step (i) section 5.3 "CHECK ROTATION" does not have to be repeated as long as driver systems have not been changed since last pump operation.

**5.9 Stopping the pump**

- a) Shut down driver.



*The pump should be shut down rapidly to protect the internal wearing parts which are lubricated by the liquid being pumped.*



*If pump stops abruptly when driver is shut down, investigate for pump binding. Take necessary remedial action before restarting pump.*

- b) Close the pump suction and discharge valve.
- c) Close valve in bypass line
- d) Turn off cooling liquid.



- e) *If pump is subjected to freezing temperatures the pump must be drained of liquid to prevent damage to the pump.*

**5.10 Hydraulic, mechanical and electrical duty**

This product has been supplied to meet the performance specifications of your purchase order, however it is understood that during the life of the product these may change. The notes on section 3.4 may help the user decide how to evaluate the implications of any change. If in doubt contact your nearest Flowserve office.

**6 MAINTENANCE**

**6.1 General**




It is the plant operator's responsibility to ensure that all maintenance, inspection and assembly work is carried out by authorised and qualified personnel who have adequately familiarised themselves with the subject matter by studying this manual in detail. (See also section 1.6)

Any work on the machine must be performed when it is at a standstill. It is imperative that the procedure

for shutting down the machine is followed, as described in section 5.9.

On completion of work all guards and safety devices must be re-installed and made operative again.

Before restarting the machine, the relevant instructions listed in section 5, "Commissioning, start up, operation and shut down" must be observed.

 **Oil and grease leaks may make the ground slippery. Machine maintenance must always begin and finish by cleaning the ground and the exterior of the machine.**

If platforms, stairs and guard rails are required for maintenance, they must be placed for easy access to areas where maintenance and inspection are to be carried out. The positioning of these accessories must not limit access or hinder the lifting of the part to be serviced.

When air or compressed inert gas is used in the maintenance process, the operator and anyone in the vicinity must be careful and have the appropriate protection.


Do not spray air or compressed inert gas on skin.


Do not direct an air or gas jet towards other people.

Never use air or compressed inert gas to clean clothes.

Before working on the pump, take measures to prevent an uncontrolled start. Put a warning board on the starting device with the words: **"Machine under repair: do not start"**.


With electric drive equipment, lock the main switch open and withdraw any fuses. Put a warning board on the fuse box or main switch with the words: **"Machine under repair: do not connect"**.

 **DANGER** Before attempting any inspection or repair on the pump, the driver controls must be in the "off" position, locked and tagged to prevent injury to personnel performing service on the pump.

 Before attempting to disassemble pump, pump must be isolated from system, by closing suction and discharge system valves, drained of liquid and cooled, if pump is handling hot liquid.

Never clean equipment with inflammable solvents or carbon tetrachloride. Protect yourself against toxic fumes when using cleaning agents.

## 6.2 Maintenance schedule

 It is recommended that a maintenance plan and schedule is adopted, in line with these User Instructions, to include the following:


- Any auxiliary systems installed must be monitored, if necessary, to ensure they function correctly.
- Gland seal must be adjusted correctly to give visible leakage and concentric alignment of the gland follower to prevent excessive temperature of the packing or follower.
- Check for any leaks from gaskets and seals. The correct functioning of the shaft seal must be checked regularly.
- Check bearing lubricant level, and if the hours run show a lubricant change is required.
- Check that the duty condition is in the safe operating range for the pump.
- Check vibration, noise level and surface temperature at the bearings to confirm satisfactory operation.
- Check dirt and dust is removed from areas around close clearances, bearing housings and motors.
- Check coupling alignment and re-align if necessary.

FLOWSERVE specialist service personnel can help with preventative maintenance records and provide condition monitoring for temperature and vibration to identify the onset of potential problems.

If any problems are found the following sequence of actions should take place:

- Refer to section 7, *Faults; causes and remedies*, for fault diagnosis.
- Ensure equipment complies with the recommendations in this manual.
- Contact Flowserve if the problem persists.

### 6.2.1 Routine inspection (daily/weekly)

 **CAUTION** The following checks should be made and the appropriate action taken to remedy any deviations:

- Check suction and discharge gauges.
- Check for abnormal operating conditions (High/Low Temperature, Flows, Vibration, Pressures Etc.)
- Check motor current/driver power.



- d) Check that there are no abnormal fluids or lubricant leaks (static and dynamic seals) and that any sealant systems (if fitted) are full and operating normally.
- e) Check that shaft seal leaks are within acceptable limits.
- f) Check all lubricant levels i.e. bearing housing oilers, seal Plan 52/53, seal supply systems as applicable.
- g) On grease lubricated pumps, check running hours since last recharge of grease or complete grease change.
- h) Check any auxiliary supplies eg heating/cooling (if fitted) are functioning correctly.
- i) Check stand by pump is at applicable temperature and available to start as required.



Refer to the manuals of any associated equipment for routine checks needed.

### 6.2.2 Periodic inspection (monthly)

- a) Check for lubricant contamination whether bearing oil, or seal oil (if applicable) by sample analysis.
- b) Check all paint or protective coatings.
- c) Check all power/instrument cable glands for tightness.



Refer to the manuals of any associated equipment for periodic checks needed.

### 6.2.3 Periodic inspection (six monthly)



- a) Check foundation bolts for security of attachment, corrosion. Check grouting for looseness, cracking or general distress.
- b) Change lubricants.
- c) Check calibration of instruments.
- d) The coupling should be checked for correct alignment and worn driving elements.



Refer to the manuals of any associated equipment for periodic checks needed.

### 6.2.4 Inspection (after 3 years)

- a) Check internal condition of pump and all ancillary pipework for corrosion/erosion.
- b) Check internal pump components for wear.
- c) Change bearings

### 6.2.5 Re-lubrication

Lubricant and bearing temperature analysis can be useful in optimising lubricant change intervals. In general however, the following is recommended.

### 6.2.5.1 Oil lubrication



Maintaining the correct oil level is very important.

If the pump is supplied with a constant level oiler the oil level will be automatically maintained and as long as oil is visible in the glass bottle there is no need to refill. If however a sight glass has been fitted then regular checks should be made to ensure the level is maintained at the centre of the glass window.

Refer to section 5.1.1 for methods of oil fill, section 5.2.1 for oil grade recommendations and 5.2.4 for the schedule and temperature limits.

### 6.2.6 Mechanical seals

No adjustment is possible. When leakage reaches an unacceptable level the seal will need replacement.

### 6.2.7 Gland packing

The stuffing box split gland can be completely removed for re-packing or to enable the addition of extra rings of packing.

The stuffing box is normally supplied with a lantern ring to enable a clean or pressurised flush to the centre of the packing

There must always be a small leakage, normally a minimum of 120 drops per minute to atmosphere to lubricate and cool the packing is required.

## 6.3 Spare parts

### 6.3.1 Ordering of spares

Flowserve keep records of all pumps that have been supplied. When ordering spares the following information should be quoted:

- 1) Pump serial number
- 2) Pump size
- 3) Part name – (a)
- 4) Part number – (a)
- 5) Number of parts required

(a) taken from the cross section drawing stored into the job user instruction book and only in case not available see at section 8.

The pump size and serial number are shown on the pump nameplate.

To ensure continued satisfactory operation, replacement parts to the original design specification should be obtained from Flowserve.

Any change to the original design specification (modification or use of a non-genuine part) will invalidate the pump's safety certification.

**6.3.2 Storage of spares**

Spares should be stored in a clean dry area away from vibration. Inspection and re-treatment of metallic surfaces (if necessary) with preservative is recommended at 6 monthly intervals.

**6.4 Recommended spares (according to API)**

*For start up purposes:*

- 1 - Set of bearings (line and thrust)
- 2 - Sets of gaskets and o-ring
- 2 - Wear rings set (2 rotating + 2 stationary)
- 1 - Mechanical seals **or if applicable 1 set of Gland packing**
- 1 - Labyrinth set (drive and impeller end)

*For normal maintenance:*

- 1 - Set of bearings (line and thrust)
- 2 - Sets of gaskets and o-ring
- 2 - Wear rings set (2 rotating + 2 stationary)
- 1 - Mechanical seals **or if applicable 2 sets of Gland packing**
- 1 - Labyrinth and deflector set (drive and impeller end)
- 1 - Shaft
- 1 - Impeller

**6.5 Tools required**

A typical range of tools that will be required to maintain these pumps is listed below.

*Readily available in standard tool kits, and dependent on pump size:*

- Open ended spanners (wrenches) to suit up to 2" (M 50) screws/nuts
- Socket spanners (wrenches), up to 2" (M 50) screws
- Allen keys, up to 10 mm (A/F)
- Range of screwdrivers
- Soft mallet

**6.6 Fastener torques**

Steel Casing to Casing Cover B425 N08825 (Alloy 825) B473 S08020 (Alloy 20)		
Stud Size	Torque Value	
	N•m	(lb•ft)
3/8" 16UNC	9	(7)
1/2" 13UNC	25	(18)
5/8" 11UNC	49	(36)
3/4" 10UNC	88	(65)
7/8" 9UNC	137	(101)
1" 8UNC	196	(145)
1 1/8" 8UN	304	(224)
1 1/4" 8UN	432	(318)
1 3/8" 8UN	589	(434)
1 1/2" 8UN	785	(579)
1 5/8" 8UN	1030	(759)
1 3/4" 8UN	1324	(976)
1 7/8" 8UN	1668	(1230)
2" 8UN	2060	(1519)
2 1/4" 8UN	2992	(2206)
2 1/2" 8UN	4120	(3038)

Steel Casing to Casing Cover A182 F51 (Duplex) A276 S32760 (Super Duplex) B446 N06625 (Inconel 625) A193 B8M Class 2		
Stud Size	Torque Value	
	N•m	(lb•ft)
3/8" 16UNC	25	(18)
1/2" 13UNC	59	(43)
5/8" 11UNC	118	(87)
3/4" 10UNC	196	(145)
7/8" 9UNC	294	(217)
1" 8UNC	491	(362)
1 1/8" 8UN	687	(506)
1 1/4" 8UN	981	(723)
1 3/8" 8UN	1275	(940)
1 1/2" 8UN	1570	(1157)
1 5/8" 8UN	2256	(1664)
1 3/4" 8UN	2943	(2170)
1 7/8" 8UN	3787	(2792)
2" 8UN	4415	(3255)
2 1/4" 8UN	5886	(4340)
2 1/2" 8UN	7848	(5786)



Steel Casing to Casing Cover		
A193 B7 A193 B16 B865 N05500 (Monel K 500) 17/4 PH A576 S17400 H1025		
Stud Size	Torque Value	
	N•m	(lb•ft)
3/8" 16UNC	29	(22)
1/2"13UNC	78	(58)
5/8" 11UNC	147	(108)
3/4" 10UNC	245	(181)
7/8" 9UNC	392	(289)
1" 8UNC	638	(470)
1 1/8" 8UN	883	(651)
1 1/4" 8UN	1226	(904)
1 3/8" 8UN	1668	(1230)
1 1/2" 8UN	2060	(1519)
1 5/8" 8UN	2943	(2170)
1 3/4" 8UN	3728	(2749)
1 7/8" 8UN	4905	(3617)
2" 8UN	5396	(3978)
2 ¼" 8UN	7848	(5786)
2 ½" 8UN	10497	(7739)

Bronze and Cast Iron Casing to Casing Cover		
B148 C95200		
Stud Size	Torque Value	
	N•m	(lb•ft)
3/8" 16UNC	10	(7)
1/2"13UNC	20	(14)
5/8" 11UNC	39	(29)
3/4" 10UNC	69	(51)
7/8" 9UNC	118	(87)
1" 8UNC	177	(130)
1 1/8" 8UN	265	(195)
1 1/4" 8UN	373	(275)
1 3/8" 8UN	491	(362)
1 1/2" 8UN	687	(506)
1 5/8" 8UN	883	(651)
1 3/4" 8UN	1128	(832)
1 7/8" 8UN	1422	(1049)
2" 8UN	1717	(1266)
2 ¼" 8UN	2502	(1844)
2 ½" 8UN	3434	(2534)

Bronze and Cast Iron Casing to Casing Cover		
A536 60-40-18 A278 CL35		
Stud Size	Torque Value	
	N•m	(lb•ft)
3/8" 16UNC	15	(11)
1/2"13UNC	29	(22)
5/8" 11UNC	59	(43)
3/4" 10UNC	108	(80)
7/8" 9UNC	177	(130)
1" 8UNC	265	(195)
1 1/8" 8UN	392	(289)
1 1/4" 8UN	589	(434)
1 3/8" 8UN	785	(579)
1 1/2" 8UN	1030	(759)
1 5/8" 8UN	1324	(976)
1 3/4" 8UN	1717	(1266)
1 7/8" 8UN	2109	(1555)
2" 8UN	2600	(1917)
2 ¼" 8UN	3777	(2785)
2 ½" 8UN	5052	(3725)

Bearing Housing to Casing Cover		
Hex Head Screw Size	Torque Value	
	N•m	(lb•ft)
1/2"	18-22	(13-16)
5/8"	37-45	(27-33)

Bearing Housing End Cover to Bearing Housing		
Hex Head Screw Size	Torque Value	
	N•m	(lb•ft)
3/8"	8-11	(6-8)

Mechanical Seal to Casing Cover		
Stud/Nut Size	Torque Value	
	N•m	(lb•ft)
1/2"	35-41	(26-30)
5/8"	58-68	(45-50)
3/4"	130-150	(95-110)

Thrust Bearing Locknut		
Bearing Size	Torque Value	
	N•m	(lb•ft)
7307	37 – 39	(27 – 29)
7308	50 – 53	(37 – 39)
7309	65 – 68	(48 – 50)
7310	81 – 85	(60 – 63)
7311	99 – 104	(73 – 77)
7312	118 – 125	(87 – 92)
7313	138 – 145	(102 – 107)
7314	159 – 167	(117 – 123)
7315	180 – 190	(133 – 140)
7316	203 – 214	(150 – 158)
7320	250 – 263	(184 – 194)

Inboard/Outboard Flingers & Oil Thrower		
Socket Head Capscrew Size	Torque Value	
	N•m	(lb•ft)
1/4"	4-5	(3-4)

Torque Values listed above are selected to achieve the correct amount of pre-stress in the threaded fastener. Maintenance personnel must ensure that threads are in good condition (free of burrs, galling, dirt, etc.) and that commercial thread lubricant NILS Wega 2 containing molybdenum disulfide is used. Torque should be periodically checked to ensure that it is at the recommended value.

**6.7 Disassembly**

Refer to section 1.6, *Safety*, before dismantling the pump.

**CAUTION** Before dismantling the pump for overhaul, ensure genuine Flowserve replacement parts are available.

**Note:** Refer to sectional drawings for part numbers and identification.

Before attempting to disassemble the pump, the pump must be isolated from the system, by closing suction and discharge system valves, drained of liquid and cooled, if pump is handling hot liquid.

Before attempting any maintenance work on pumps in vacuum service, the pumps must be isolated from suction and discharge system then carefully vented to return pressure in pump casing to atmospheric pressure.

**CAUTION** Remove the pipe plug(s) from the top of the bearing housing(s) and check to see that oil rings are riding free on the pump shaft and are not hung up. Failure to observe this caution could result in damage to or destruction of equipment.

**6.7.1 Disassembly of Pull Out Element**

This is a pull from rear design, so it is not necessary to remove casing, or to detach suction or discharge piping, coupling hubs or to remove driver.

a) Remove all seal piping, related instrumentation and electrical equipment that will interfere with disassembly. Drain pump casing.

When pump is handling "hot" liquid extreme care must be taken to ensure safety of personnel when attempting to drain pump. Hot pumps must be allowed to cool before draining.

When pump is handling "caustic" liquid extreme care must be taken to ensure safety of personnel when removing auxiliary piping or when draining pump. Protective devices of suitable protective materials must be worn when draining the pump.

b) Disassemble and remove coupling guard and coupling spacer.  
c) Place lifting straps around bearing bracket at seal area. Take a slight strain on slings.

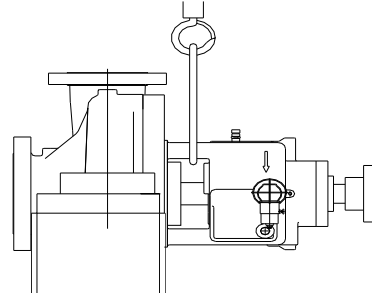


Figure 6.1  
location of lifting straps for removing pumping element

d) Drain the bearing housing of oil. This can be done by removing the drain plug situated at the bottom of the bearing housing.

Use caution when draining hot oil from bearing housing to prevent burns/injury to personnel

e) It is advisable to thoroughly drain and dry off the baseplate before attempting any maintenance work on the pump.

This could eliminate the risk of slipping on a wet surface causing personal injury or mechanical damage.

f) Remove casing cover to casing main flange bolting. Install two jack screws (provided) in casing cover. Tighten jack screws evenly to separate joint between casing cover and casing.

- g) Carefully withdraw pumping element from casing until impeller (or inducer when fitted) is clear of casing. Move pumping element to area where disassembly will be performed.
- h) Correctly support pumping element in horizontal position. For non-inducer machines release impeller locking screws and locknut on impeller. For machines fitted with an inducer, release cap nut then remove security washer.

**Note:**

**Locking devices have left hand thread form**

- i) Remove inducer (if fitted) and impeller.
- j) Remove and discard gasket from casing cover. Now rotate assembly so that the shaft axis is in the vertical plane with coupling end uppermost.

**6.7.1.1 Mechanical seal disassembly**

- a) Refer to mechanical seal drawing (in the job's user instruction) and identify the seal setting plates on the front of the gland plate.
- b) Rotate (or slide as appropriate for the design) the plates into the mechanical seal sleeve setting groove and then secure.
- c) Slacken the screws locking the collar/seal sleeve onto the pump shaft.
- d) Unscrew any pipework from the tapped ports on the periphery of the gland plate.
- e) Remove the cap screws which secure the casing cover to the bearing housing.
- f) With the casing cover suitably supported carefully remove the bearing housing and place horizontally on flat surface.
- g) Returning to the casing cover (with the gland plate uppermost). Remove the four nuts securing the gland plate to the casing cover. Note - When oil ring lubrication is provided an additional 1/2" NPT plug is fitted in the top of the bearing housing adjacent to the mushroom headed vent. Removal of the plug should enable the visual inspection of the ring.
- h) Remove mechanical seal cartridge assembly.



Refer to any special instructions supplied with the mechanical seal.

**6.7.1.2 Shaft seal - gland packing**

- a) Remove gland nuts and gland.
- b) Lever out gland ring using its grip groove.
- c) Remove gland packing rings and lantern rings using a bent wire.

**6.7.1.3 Bearing housing disassembly**

- a) Looking at the bearing housing, remove impeller key (and throat bush if fitted). If a cooling fan is fitted, then remove the three locking screws

- securing the fan to the outboard deflector. Withdrawal the fan from the coupling end of the shaft.
- b) Loosen clamping screws and remove both the deflectors from pump shaft.
- c) Remove cap screws from bearing end covers, securing cover to bearing housing.
- d) Remove bearing end covers remove and discard gasket. Remove labyrinth from bore of outboard end cover. Remove o-ring from labyrinth.
- e) Place the bearing housing in a vertical position, (coupling end up) on blocking. Blocking must be of sufficient height to prevent shaft end from contacting the floor. To avoid damage to the oil rings, (when fitted) position them as shown.

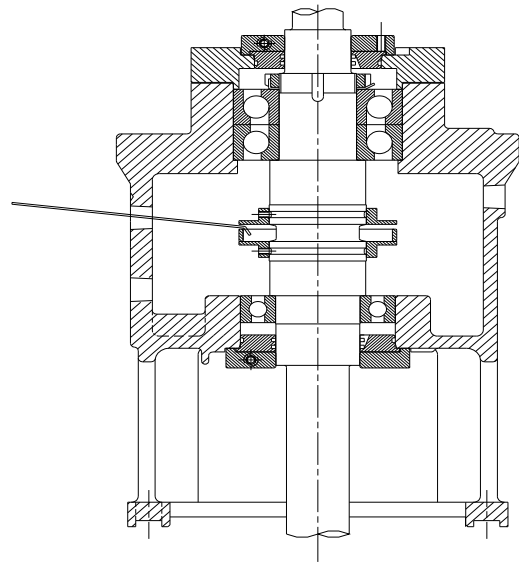


Figure 6.2

- f) Remove the shaft assembly from coupling end of bearing housing. Remove labyrinth from seal end of bearing housing. Remove o-ring from labyrinth.



**Take care not to damage the oil rings.**


- g) Release locking tab of lock washer. Remove locknut and lock washer.
- h) Bearings can be removed by the use of a press or puller. Bearing must be installed in the same manner as removed. It is suggested that each bearing be marked for sequence and direction.

**Note:**

**When removing bearings exert pressure on inner race only. Do not exert any pressure on outer bearing race. (See Section 7.6).**

- i) Remove oil rings and oil throwers from the shaft as appropriate.
- j) Check the shaft for run out using "V" blocks or rollers placed under the bearing areas. Run out of shaft is not to exceed 0.05 mm TIR (0.002 in.TIR).

## 6.8 Examination of parts

 Used parts must be inspected before assembly to ensure the pump will subsequently run properly. In particular, fault diagnosis is essential to enhance pump and plant reliability.

### 6.8.1 Casing, seal housing and impeller

- a) Inspect for excessive wear, pitting, corrosion, erosion or damage and any sealing surface irregularities.
- b) Replace as necessary.

### 6.8.2 Mechanical seal

- a) Mechanical seal stationary and rotating faces should be inspected for signs of wear or cracks and replaced as necessary.
- b) It is recommended that when reassembling mechanical seal new "O" rings and gaskets be used.
- c) Refer to manufacturers drawing for assembly of mechanical seal. Refer to mechanical seal section within this manual for further details.

### 6.8.3 Throat Bush (If fitted)

- a) Check the throat bush and replace if required. Note that the bush outside diameter should be the same diameter as the adjacent impeller wear ring.

### 6.8.4 Shaft

Replace if grooved, pitted or worn.

### 6.8.5 Gaskets and O-rings

After dismantling, discard and replace.

### 6.8.6 Bearings

- a) It is recommended that bearings are not re-used after any removal from the shaft. In any case the bearings must be replaced not after 25000 operating hours.
- b) If the bearing cannot be removed with the tools available never use a torch under any circumstances. Split the outer ring with a small hand grinder, saw through the ball/roller retainer, and split the inner ring about three quarters through with a grinder and break with a cold steel chisel.

**Note:**

***Do not attempt to inspect condition of bearings until they have been cleaned.***

- c) Solvent for cleaning bearings should be in a clean container. Place bearings in solvent and let soak for a short time. Agitate the bearing around near the top of the container, giving it a turn now and then until it is clean. Rinse in a clean container of fresh solvent.

**Note:**

***Do not spin dirty bearings. Rotate them slowly while washing.***

- d) Dry thoroughly cleaned bearings. If an air hose is used for drying, make sure it is clean dry air.

**Note:**

***Do not allow the bearings to spin by force of air. Hold the inner and outer rings to prevent bearing from spinning.***

- e) Inspect bearings immediately. If there is any question as to the condition of a bearing do not hesitate to replace it. There are many conditions that contribute to the deterioration of the bearings. A qualified bearing representative should be consulted if there is any question of bearing condition.
- f) Inspected bearings which will be reused should be packed with new grease or dipped in clean lubricating oil, covered with clean lint free rags or other suitable covering and placed in a clean box or carton until ready for installation.

**Note:**

***Under no circumstances the bearings are to be left exposed.***

### 6.8.7 Labyrinths or bearing isolators (if fitted)

- a) The lubricant, bearings and bearing housing seals are to be inspected for contamination and damage. If oil bath lubrication is utilised, these provide useful information on operating conditions within the bearing housing.
- b) If bearing damage is not due to normal wear and the lubricant contains adverse contaminants, the cause should be corrected before the pump is returned to service.
- c) Labyrinth seals and bearing isolators should be inspected for damage but are normally non-wearing parts and can be re-used.
- d) Bearing seals are not totally leak free devices. Oil from these may cause staining adjacent to the bearings.

## 6.9 Assembly

To assemble the pump consult the sectional drawings, see section 8, *Parts list and drawings*.

Ensure threads, gasket and O-ring mating faces are clean.

### 6.9.1 Wear rings

The impeller may be fitted with both front and rear wear rings or front ring only.

The impeller ring(s) are renewable and should be replaced when badly grooved, and/or when pump performance does not meet the system requirements. Whenever it becomes necessary to replace either wear ring, both rings involved (impeller and casing/casing cover) must be ordered and replaced as a set as they are furnished standard size only. Spare impeller wear rings are supplied with a material stock over outside diameter which has to be machined off after rings fitting on impeller. If an impeller with its wear rings is ordered as spare, it will be supplied fully machined, including wear rings outside diameter, to original dimensions. Casing wear rings are always supplied fully machined. Be sure to re-establish the original running clearance between the two wear rings involved by machining the fitted impeller ring.

#### 6.9.1.1 Impeller wear rings

- a) To remove impeller wear rings, mutually remove wear ring set screws or ground off tack weld. Rings can be machined off or grind two slots diametrically opposite across the width of the ring so it can be split apart. Use caution if ring is removed by grinding so as not to damage impeller hubs.

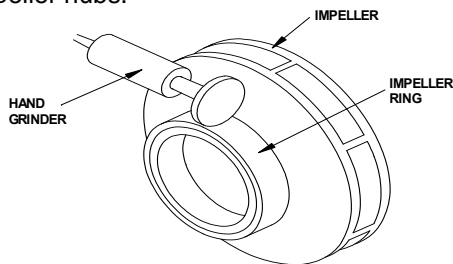


Figure 6.3

- b) Make sure ring fits on impeller are free of nicks or burrs. Heat new ring to 107 °C (225 °F) and install on impeller. Drill and tap new holes in impeller spaced half the circular distance from the previously used holes in the impeller. See sketch below.

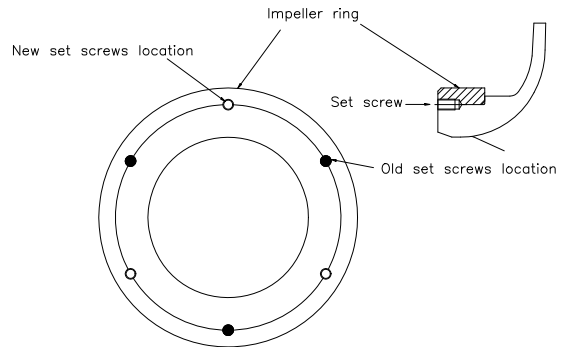


Figure 6.4

**Note:**

**Impeller wear rings when installed must be machined to establish original diameter and running clearance. Whenever an impeller has new wear rings fitted it must be dynamically balanced before being reassembled. Refer to the Cross Sectional drawing for the requested running clearance.**

#### 6.9.1.2 Case wear rings (and casing cover wear ring when fitted)

Each wear ring is locked against rotation with a cylindrical pin.

- a) To remove the wear ring, press it out. If this method does not easily effect removal of the ring, it can be split apart. First, however, drill one or more holes in the face of the worn ring.
- b) New rings to be installed must be shrunk by freezing when installing in casing or casing cover. Fit and secure with a locking pin. Replacement wear rings are furnished standard size in the bore. Check the running clearance between impeller and casing ring against the appropriate value.

#### 6.9.2 Oil Thrower(s) and Oil ring (if applicable)

Install thrower(s) and oil ring (if supplied) onto shaft. Secure thrower to shaft by tightening set screws into the location groove in the shaft.

#### 6.9.3 Bearings Housing

The ball bearings require correct handling and installation to ensure optimum performance. The following information is intended as a minimum to ensure that the bearings are handled and installed correctly.

##### 6.9.3.1 Bearings handling

- a) Do not remove new bearings from their storage package except for inspection, when stored for a long period of time or just prior to their installation.

- b) Work area must be clean to ensure that no dirt or other contaminants will enter the bearings. Handle bearings with clean, dry hands and with clean, lint free rags. Lay bearings on clean paper and keep covered. Never expose bearings on a dirty bench or floor.
- c) Do not wash a new bearing. It is already clean and the preservative should not be removed.
- d) Before mounting, be sure shaft bearing areas are clean and free of nicks and burrs. Check the dimensions of these areas to ensure correct fit of bearings.

**6.9.3.2 Bearing installation**

Install the thrust and radial bearings in the same sequence and direction as removed.

There are two simple methods of providing a heat source for expanding the inner race of the bearings to facilitate mounting.

- a) In the first method, bearings still wrapped in their original intimate wrap are placed on a shelf in a temperature controlled oven, or in an enclosure lined with foil and heated with electric light bulbs. A temperature of 66 °C (150 °F) for one half hour should be sufficient.
- b) A second method consists of locating a light bulb 100 to 150 Watt ( 0.13 to 0.15 hp) in the bore of the bearing. The light bulb will heat, primarily, the inner ring and the bearing can usually be handled by the outer ring without special gloves. Care must be taken to keep the bearing clean and uncontaminated.

**Note:**

***The old and once popular method of heating bearings in an oil bath is DEFINITELY DISCOURAGED. HEATING INNER RING WITH A GAS TORCH IS PROHIBITED. In either case, it is difficult to control the heating rate and final temperature and even more difficult to keep the oil and/or bearing clean.***

- c) When bearings are installed on the shaft make sure the bearing is installed squarely and is firmly seated. Hold bearing in place until it has cooled sufficiently so that it will not move from position. Cover bearings to protect them from dirt.

**Note:**

***When installing the bearings the mounting pressure should never be applied in such a manner that it is transmitted through the rolling element. Apply the mounting force directly against, and only against, the inner ring.***

**Note:**

***Inner thrust bearing must be assembled against shoulder on shaft with the***

***wide flange of the outer race towards the coupling. The outer thrust bearings is to be placed on the shaft with the wide flange of the outer race towards the inner bearing.***

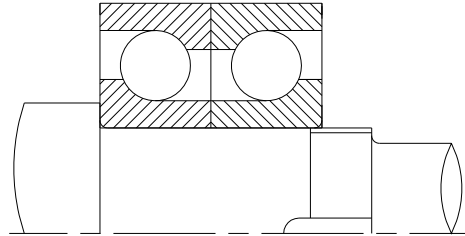


Figure 6.5

- d) When installing bearings on shaft, a slight heat is required to expand the inner bearing race. The use of a 150 watt (0.15 hp) light bulb with an aluminium foil cover to contain the heat is recommended. Place bulb foil to cover over bearing and light bulb. Heat for approximately 20 - 30 minutes.
- e) Install the lock washer and locknut.

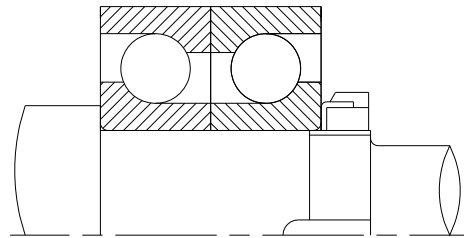


Figure 6.6

- f) Place the bearing housing in a vertical position on blocks in preparation for installation of shaft assembly. Make sure blocking is of sufficient height so that shaft will not contact the floor.
- g) Suspend shaft vertically for installation into bearing housing. Position oil ring (if fitted) on shaft to prevent damage it enters bearing housing.
- h) Lower the shaft assembly into the bearing housing. Install gasket and end cover. Torque bolts in accordance with Section 6.6.

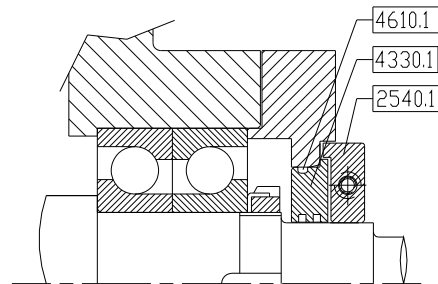


Figure 6.7



- i) Place bearing housing in a horizontal position suitably supported. Fit new o-rings into the grooves on each labyrinth. Working from the coupling end of the shaft the smaller labyrinth over the shaft and press into the bearing housing until it locates against the machined shoulder. It is held in place by the o-ring - no further fixing is required. Repeat the operation for the other labyrinth, working from the impeller end of shaft.
- j) Install both the deflectors (impeller and coupling end) onto shaft. Position flingers approximately 1 mm (0.040 in.) from their respective labyrinth and secure with appropriate clamping screws.
- k) Check the axial play of the shaft, it must be limited between 0.05 mm (0.002 in.) and 0.100 mm (0.004 in.)

#### 6.9.4 Shaft seal

##### 6.9.4.1 Mechanical seal

- a) Fit new gasket in face of mechanical seal gland plate. Refit mechanical seal cartridge over the 4 gland studs on the casing cover ensuring correct orientation of the gland tappings (refer to mechanical seal assembly drawing). Secure with four nuts tightened to the torque specified in section 6.6.
- b) Rig bearing housing assembly to hoist impeller end and shaft downwards. Carefully lower shaft end through seal sleeve until bearing housing locates on casing cover.
- c) Secure bearing housing to cover.
- d) Retighten mechanical seal drive collar set screws. Move setting plates from "transit" to "run" position. Refit screwed piping into mechanical seal gland plates.



Refer to any special instructions supplied with the mechanical seal.

##### 6.9.4.2 Packed gland

- a) Insert O-Ring into shaft sleeve and slide sleeve along shaft into impeller hub. Lightly lubricate the shaft and O-Ring for easier assembly.
- b) Insert the O-Rings into the packing box. Insert the packing box into the casing cover and secure it by the proper bolts and nuts. Placing the two longer ones opposite.
- c) Slide the lantern ring along the sleeve
- d) Slide the back pull out into the casing cover. Carefully lower shaft until bearing housing locates on casing cover.
- e) Secure bearing housing to cover.

- f) Install two packings properly cutted at 45°. Be careful to alternate the junctions.
- g) Slide the lantern ring against the two packings.
- h) Install three packings as done on point "f"
- i) Install the two halves ring joint into the proper seat on the stuffing box gland.
- j) Install the stuffing box gland joining the two halves by the proper screws. Then slide it along the longer tie bolts and secure it by the proper nuts.

#### 6.9.5 Casing assembly

- a) For non-inducer machines install key and impeller. Install locking nut - noting left hand thread form. Torque nut to correct tightness. Fit and tighten lockscrew on end of locknut.
- b) Install a new spiral wound gasket into position on casing cover.
- c) Rig assembly with lifting straps to an overhead hoist and carefully install the assembled pumping element into the casing.

Note:

**Use care when installing pumping element to avoid damage to the gasket.**

- d) Install nuts on casing cover to casing studs. Torque nuts evenly to correct tightness. (See Section 6.6).
- e) Install coupling key and coupling hub onto the pump shaft.

Note:

**The coupling hub has a shrink fit to the pump shaft. The use of heat and an approved press/puller will be required to install it. Install the pump half coupling hub by heating to approximately 149 °C (300 °F) in successive stages from periphery of hub toward the centre. NEVER APPLY AN OPEN FLAME TO THE COUPLING HUB TEETH.**

- f) Re-install drain plug and fill the bearing housing to the prescribed level with fresh lubricating oil. (See Section 5.1.1).
- g) Check to see if rotor runs freely by turning the shaft with a strap wrench or by hand. Make any corrections or adjustments.
- h) Check driver rotation. Driver rotation must coincide with direction indicated by arrow on pump.
- i) Align pump - motor coupling per "ALIGNMENT" instructions and install spacer piece. Install coupling guard.
- j) Replace all auxiliary piping.



## 7 FAULTS; CAUSES AND REMEDIES

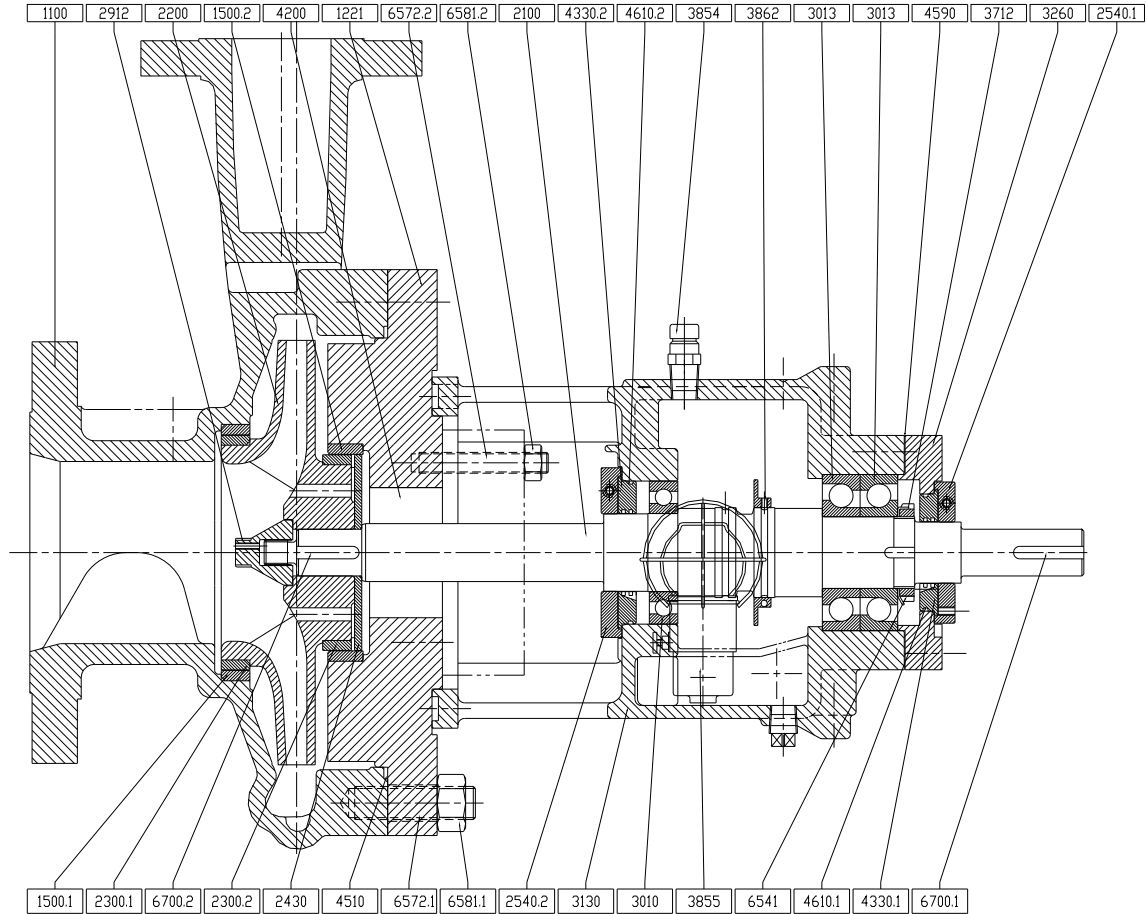
### FAULT SYMPTOM

Pump overheats and seizes																																																																																																								
↓	Bearings have short life																																																																																																							
↓	Pump vibrates or is noisy																																																																																																							
↓	Mechanical seal has short life																																																																																																							
↓	Mechanical seal leaks excessively																																																																																																							
↓	Pump requires excessive power																																																																																																							
↓	Pump loses prime after starting																																																																																																							
↓	Insufficient pressure developed																																																																																																							
↓	Insufficient capacity delivered																																																																																																							
↓	Pump does not deliver liquid																																																																																																							
												<table border="1"> <thead> <tr> <th>PROBABLE CAUSES</th> <th>POSSIBLE REMEDIES</th> </tr> </thead> <tbody> <tr> <td colspan="2" style="text-align: center;"><b>A. System troubles</b></td> </tr> <tr> <td>● Pump not primed.</td> <td rowspan="2">Check complete filling. Vent and/or prime.</td> </tr> <tr> <td>● Pump or suction pipe not completely filled with liquid.</td> </tr> <tr> <td>● Suction lift too high or level too low.</td> <td rowspan="2">Check NPSHa&gt;NPSHr, proper submergence, losses at strainers/fittings.</td> </tr> <tr> <td>● Insufficient margin between suction pressure and vapour pressure.</td> </tr> <tr> <td>● Excessive amount of air or gas in liquid.</td> <td>Check and purge pipes and system.</td> </tr> <tr> <td>● Air or vapour pocket in suction line.</td> <td>Check suction line design for vapour pockets.</td> </tr> <tr> <td>● Air leaks into suction line.</td> <td>Check suction pipe is airtight.</td> </tr> <tr> <td>● Air leaks into pump through mechanical seal, sleeve joints, casing joint or pipe plugs.</td> <td>Check and replace faulty parts. CONSULT FLOWSERVE.</td> </tr> <tr> <td>● Foot valve too small.</td> <td>Investigate replacing the foot valve.</td> </tr> <tr> <td>● Foot valve partially clogged.</td> <td>Clean foot valve.</td> </tr> <tr> <td>● Inlet of suction pipe insufficiently submerged.</td> <td>Check out system design.</td> </tr> <tr> <td>● Speed too low.</td> <td>CONSULT FLOWSERVE.</td> </tr> <tr> <td>● Speed too high.</td> <td>CONSULT FLOWSERVE.</td> </tr> <tr> <td>● Total head of system higher than differential head of pump.</td> <td rowspan="2">Check system losses. Remedy or CONSULT FLOWSERVE.</td> </tr> <tr> <td>● Total head of system lower than pump design head.</td> </tr> <tr> <td>● Specific gravity of liquid different from design.</td> <td rowspan="2">Check and CONSULT FLOWSERVE.</td> </tr> <tr> <td>● Viscosity of liquid differs from that for which designed.</td> </tr> <tr> <td>● Operation at very low capacity.</td> <td>Measure value and check minimum permitted. Remedy or CONSULT FLOWSERVE.</td> </tr> <tr> <td>● Operation at high capacity.</td> <td>Measure value and check maximum permitted. Remedy or CONSULT FLOWSERVE.</td> </tr> <tr> <td colspan="12" style="text-align: center;"><b>B. Mechanical troubles</b></td> </tr> <tr> <td>●</td> <td>●</td> <td>●</td> <td>●</td> <td>●</td> <td>●</td> <td></td> <td></td> <td></td> <td></td> <td></td> <td></td> <td>Misalignment due to pipe strain.</td> <td>Check the flange connections and eliminate strains using elastic couplings or a method permitted.</td> </tr> <tr> <td></td> <td>●</td> <td></td> <td></td> <td></td> <td></td> <td></td> <td></td> <td></td> <td></td> <td></td> <td></td> <td>Improperly designed foundation.</td> <td>Check setting of baseplate: tighten, adjust, grout base as required.</td> </tr> <tr> <td>●</td> <td>●</td> <td>●</td> <td>●</td> <td>●</td> <td>●</td> <td></td> <td></td> <td></td> <td></td> <td></td> <td></td> <td>Shaft bent.</td> <td>Check shaft runouts are within acceptable values. CONSULT FLOWSERVE.</td> </tr> </tbody> </table>	PROBABLE CAUSES	POSSIBLE REMEDIES	<b>A. System troubles</b>		● Pump not primed.	Check complete filling. Vent and/or prime.	● Pump or suction pipe not completely filled with liquid.	● Suction lift too high or level too low.	Check NPSHa>NPSHr, proper submergence, losses at strainers/fittings.	● Insufficient margin between suction pressure and vapour pressure.	● Excessive amount of air or gas in liquid.	Check and purge pipes and system.	● Air or vapour pocket in suction line.	Check suction line design for vapour pockets.	● Air leaks into suction line.	Check suction pipe is airtight.	● Air leaks into pump through mechanical seal, sleeve joints, casing joint or pipe plugs.	Check and replace faulty parts. CONSULT FLOWSERVE.	● Foot valve too small.	Investigate replacing the foot valve.	● Foot valve partially clogged.	Clean foot valve.	● Inlet of suction pipe insufficiently submerged.	Check out system design.	● Speed too low.	CONSULT FLOWSERVE.	● Speed too high.	CONSULT FLOWSERVE.	● Total head of system higher than differential head of pump.	Check system losses. Remedy or CONSULT FLOWSERVE.	● Total head of system lower than pump design head.	● Specific gravity of liquid different from design.	Check and CONSULT FLOWSERVE.	● Viscosity of liquid differs from that for which designed.	● Operation at very low capacity.	Measure value and check minimum permitted. Remedy or CONSULT FLOWSERVE.	● Operation at high capacity.	Measure value and check maximum permitted. Remedy or CONSULT FLOWSERVE.	<b>B. Mechanical troubles</b>												●	●	●	●	●	●							Misalignment due to pipe strain.	Check the flange connections and eliminate strains using elastic couplings or a method permitted.		●											Improperly designed foundation.	Check setting of baseplate: tighten, adjust, grout base as required.	●	●	●	●	●	●							Shaft bent.	Check shaft runouts are within acceptable values. CONSULT FLOWSERVE.
PROBABLE CAUSES	POSSIBLE REMEDIES																																																																																																							
<b>A. System troubles</b>																																																																																																								
● Pump not primed.	Check complete filling. Vent and/or prime.																																																																																																							
● Pump or suction pipe not completely filled with liquid.																																																																																																								
● Suction lift too high or level too low.	Check NPSHa>NPSHr, proper submergence, losses at strainers/fittings.																																																																																																							
● Insufficient margin between suction pressure and vapour pressure.																																																																																																								
● Excessive amount of air or gas in liquid.	Check and purge pipes and system.																																																																																																							
● Air or vapour pocket in suction line.	Check suction line design for vapour pockets.																																																																																																							
● Air leaks into suction line.	Check suction pipe is airtight.																																																																																																							
● Air leaks into pump through mechanical seal, sleeve joints, casing joint or pipe plugs.	Check and replace faulty parts. CONSULT FLOWSERVE.																																																																																																							
● Foot valve too small.	Investigate replacing the foot valve.																																																																																																							
● Foot valve partially clogged.	Clean foot valve.																																																																																																							
● Inlet of suction pipe insufficiently submerged.	Check out system design.																																																																																																							
● Speed too low.	CONSULT FLOWSERVE.																																																																																																							
● Speed too high.	CONSULT FLOWSERVE.																																																																																																							
● Total head of system higher than differential head of pump.	Check system losses. Remedy or CONSULT FLOWSERVE.																																																																																																							
● Total head of system lower than pump design head.																																																																																																								
● Specific gravity of liquid different from design.	Check and CONSULT FLOWSERVE.																																																																																																							
● Viscosity of liquid differs from that for which designed.																																																																																																								
● Operation at very low capacity.	Measure value and check minimum permitted. Remedy or CONSULT FLOWSERVE.																																																																																																							
● Operation at high capacity.	Measure value and check maximum permitted. Remedy or CONSULT FLOWSERVE.																																																																																																							
<b>B. Mechanical troubles</b>																																																																																																								
●	●	●	●	●	●							Misalignment due to pipe strain.	Check the flange connections and eliminate strains using elastic couplings or a method permitted.																																																																																											
	●											Improperly designed foundation.	Check setting of baseplate: tighten, adjust, grout base as required.																																																																																											
●	●	●	●	●	●							Shaft bent.	Check shaft runouts are within acceptable values. CONSULT FLOWSERVE.																																																																																											



## 8 PARTS LIST AND DRAWINGS

### 8.1 Centerline Discharge, Single Volute

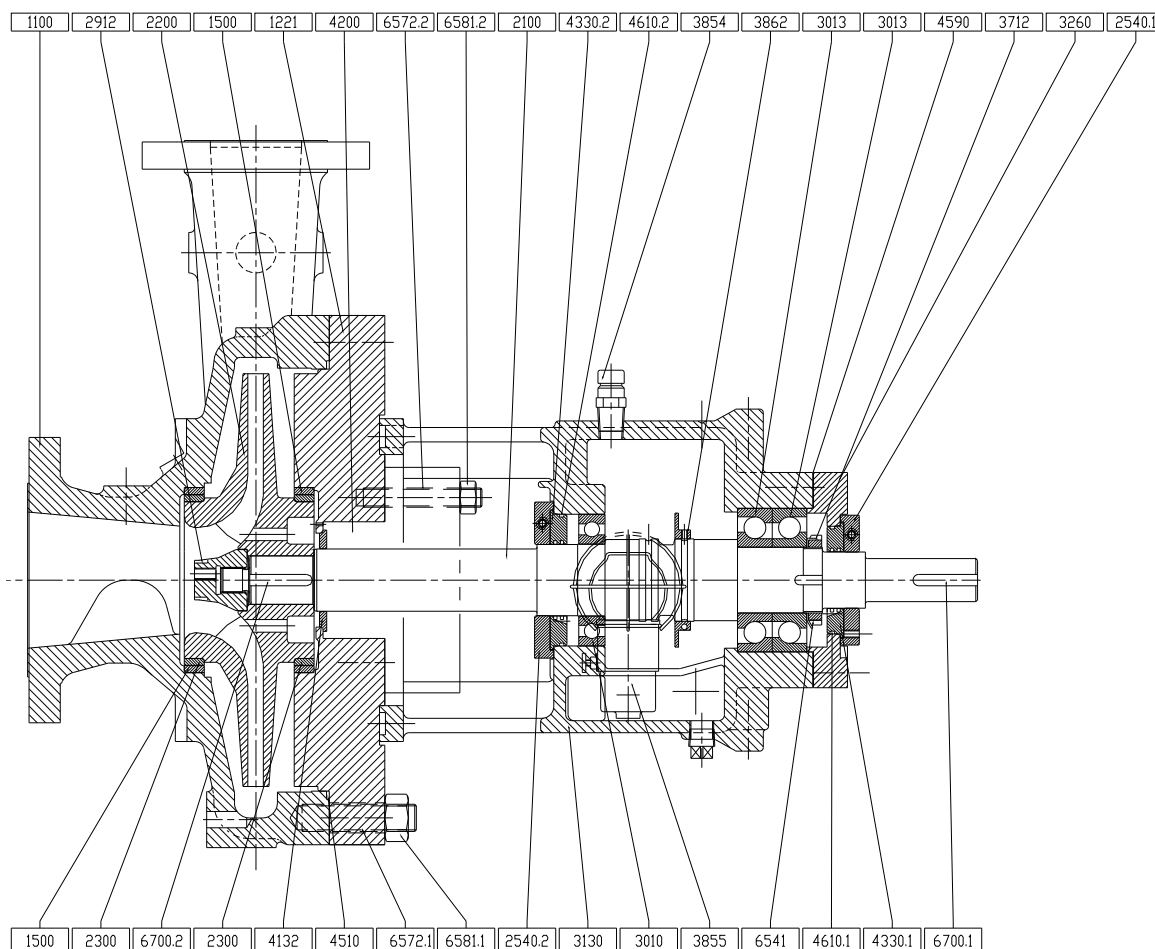


#### 8.1.1 Parts list

Ref no	Description
1100	Casing
1221	Casing Cover
1500.1	Casing Wear ring
1500.2	Casing Wear ring
2100	Shaft
2200	Impeller
2300.1	Impeller Wear Ring
2300.2	Impeller Wear Ring
2430	Throttling Sleeve
2540.1	Deflector
2540.2	Deflector
2912	Impeller Nut
3010	Anti-Friction Bearing
3013	Thrust Ball bearing
3130	Bearing Bracket
3260	Bearing Cover
3712	Bearing Nut
3854	Oil Filter Plug

3855	Constant Level Oiler
3862	Lubricating Disk Thrower
4132	Neck Bush
4200	Mechanical Seal
4330.1	Labyrinth Ring
4330.2	Labyrinth Ring
4510	Gasket
4590	Gasket
4610.1	"O" Ring
4610.2	"O" Ring
6541	Lockwasher
6572.2	Stud
6572.1	Stud
6581.1	Hexagon Nut
6581.2	Hexagon Nut
6700.1	Key
6700.2	Key

## 8.2 Tangential Discharge , Single Volute

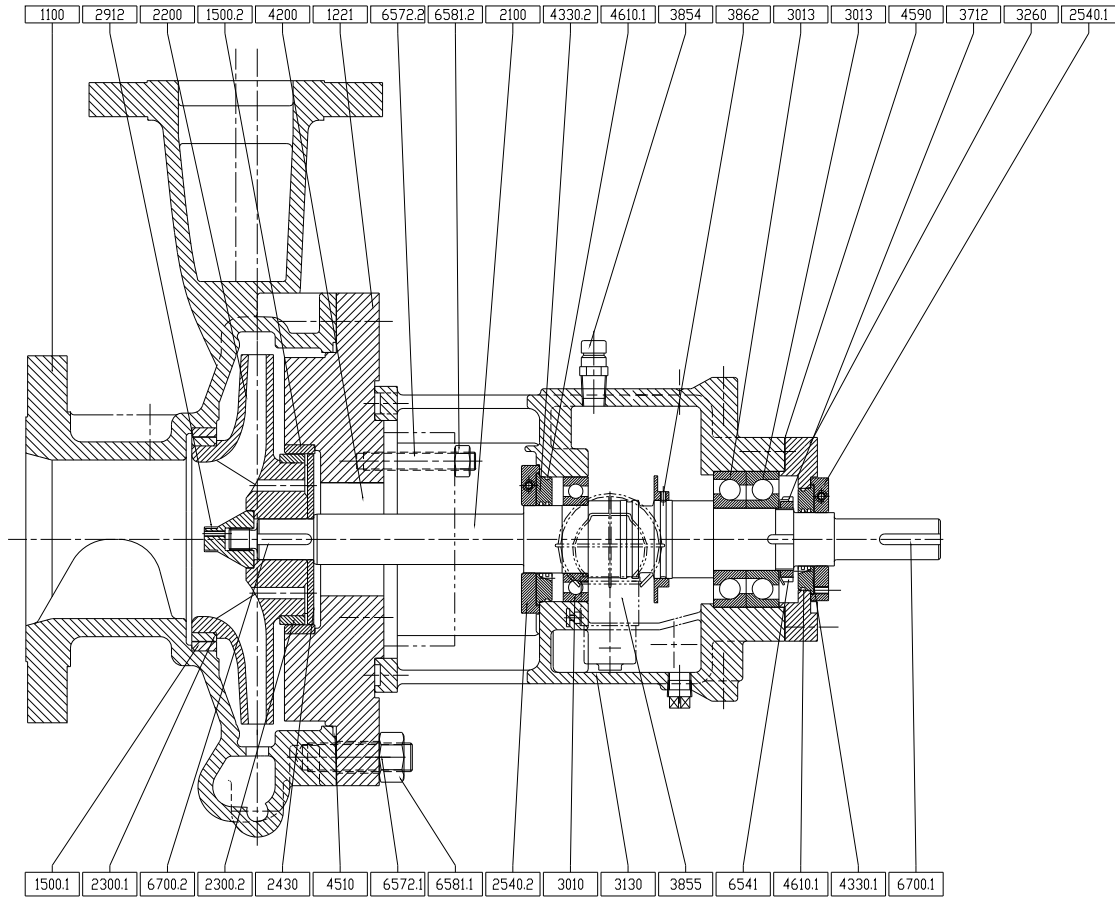


### 8.2.1 Parts list

Ref no	Description
1100	Casing
1221	Casing Cover
1500	Casing Wear ring
2100	Shaft
2200	Impeller
2300	Impeller Wear Ring
2430	Throttling Sleeve
2540.1	Deflector
2540.2	Deflector
2912	Impeller Nut
3010	Anti-Friction Bearing
3013	Thrust Ball bearing
3130	Bearing Bracket
3260	Bearing Cover
3712	Bearing Nut
3854	Oil Filter Plug
3855	Constant Level Oiler

3862	Lubricating Disk Thrower
4132	Neck Bush
4200	Mechanical Seal
4330.1	Labyrinth Ring
4330.2	Labyrinth Ring
4510	Gasket
4590	Gasket
4610.1	"O" Ring
4610.2	"O" Ring
6541	Lockwasher
6572.2	Stud
6572.1	Stud
6581.1	Hexagon Nut
6581.2	Hexagon Nut
6700.1	Key
6700.2	Key

### 8.3 Centerline Discharge, Double Volute

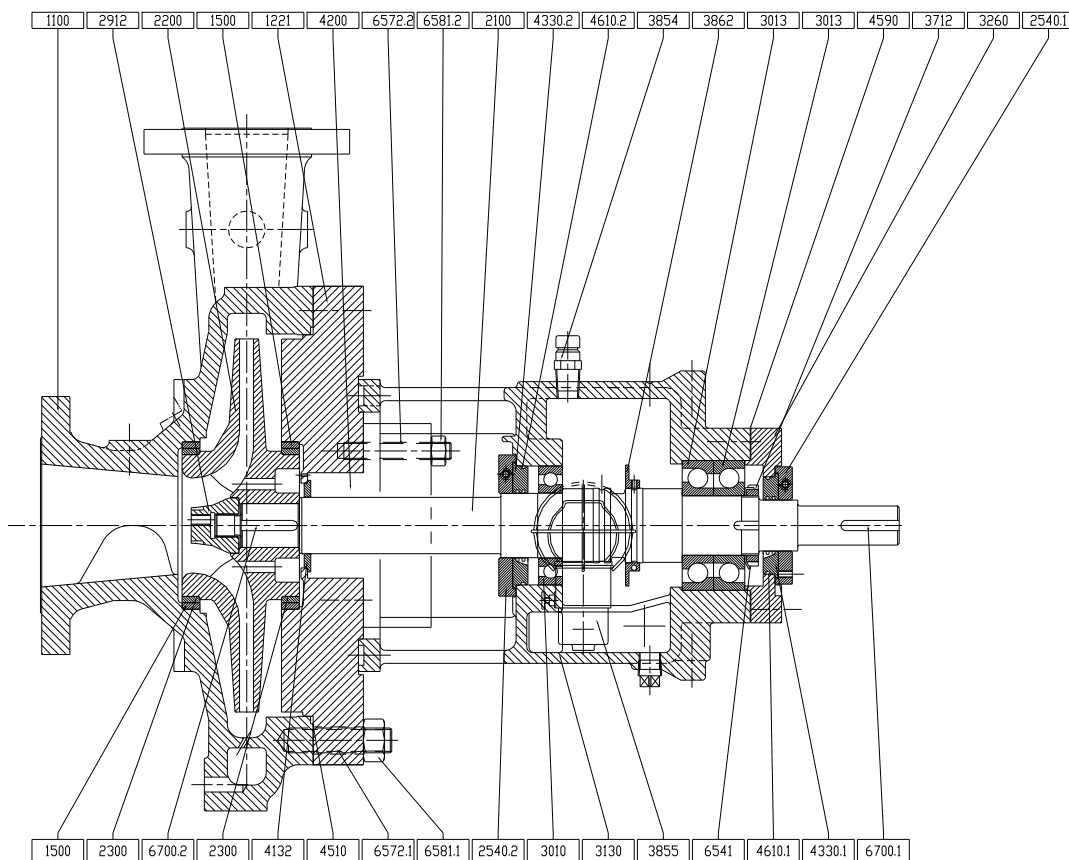


#### 8.3.1 Parts list

Ref no	Description
1100	Casing
1221	Casing Cover
1500.1	Casing Wear ring
1500.2	Casing Wear ring
2100	Shaft
2200	Impeller
2300.1	Impeller Wear Ring
2300.2	Impeller Wear Ring
2430	Throttling Sleeve
2540.1	Deflector
2540.2	Deflector
2912	Impeller Nut
3010	Anti-Friction Bearing
3013	Thrust Ball bearing
3130	Bearing Bracket
3260	Bearing Cover
3712	Bearing Nut
3854	Oil Filter Plug

3855	Constant Level Oiler
3862	Lubricating Disk Thrower
4132	Neck Bush
4200	Mechanical Seal
4330.1	Labyrinth Ring
4330.2	Labyrinth Ring
4510	Gasket
4590	Gasket
4610.1	"O" Ring
4610.2	"O" Ring
6541	Lockwasher
6572.2	Stud
6572.1	Stud
6581.1	Hexagon Nut
6581.2	Hexagon Nut
6700.1	Key
6700.2	Key

### 8.4 Tangential Discharge , Double Volute

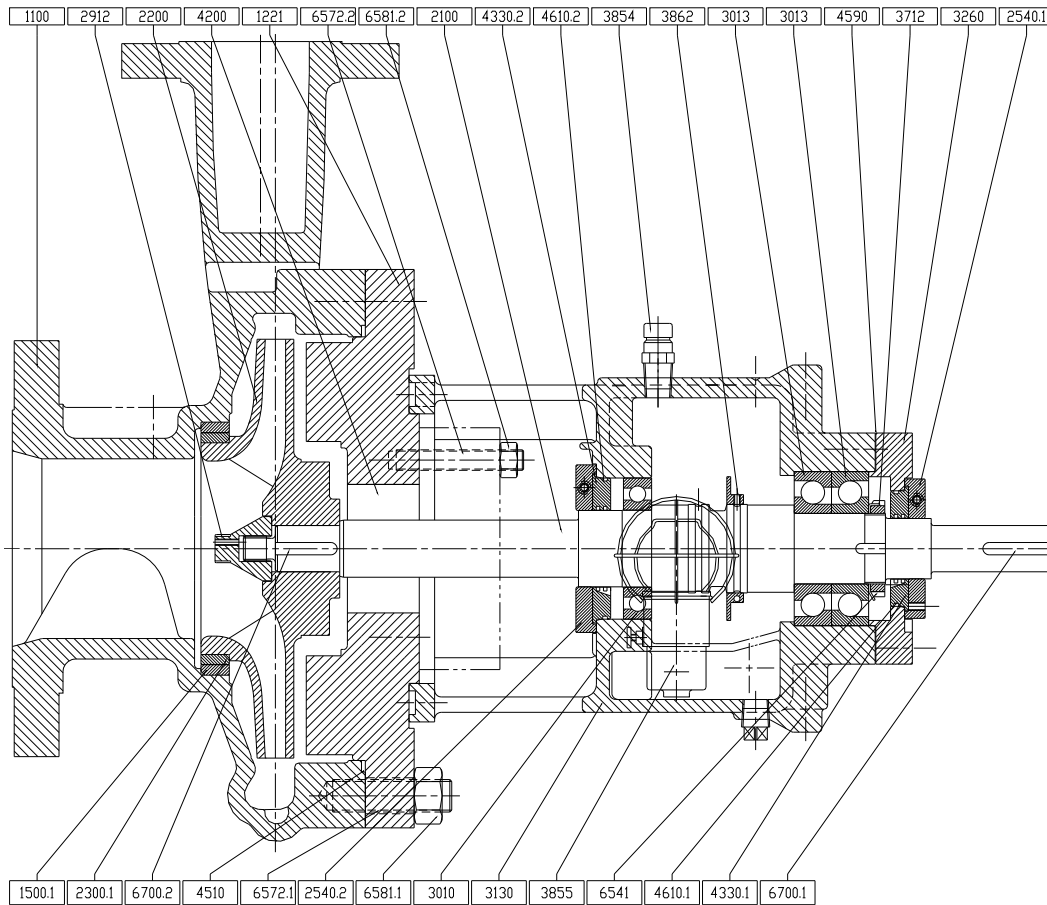


#### 8.4.1 Parts list

Ref no	Description
1100	Casing
1221	Casing Cover
1500	Casing Wear ring
2100	Shaft
2200	Impeller
2300	Impeller Wear Ring
2540.1	Deflector
2540.2	Deflector
2912	Impeller Nut
3010	Anti-Friction Bearing
3013	Thrust Ball bearing
3130	Bearing Bracket
3260	Bearing Cover
3712	Bearing Nut
3854	Oil Filter Plug
3855	Constant Level Oiler

3862	Lubricating Disk Thrower
4132	Neck Bush
4200	Mechanical Seal
4330.1	Labyrinth Ring
4330.2	Labyrinth Ring
4510	Gasket
4590	Gasket
4610.1	"O" Ring
4610.2	"O" Ring
6541	Lockwasher
6572.2	Stud
6572.1	Stud
6581.1	Hexagon Nut
6581.2	Hexagon Nut
6700.1	Key
6700.2	Key

### 8.5 Impeller Without Back Wear Ring



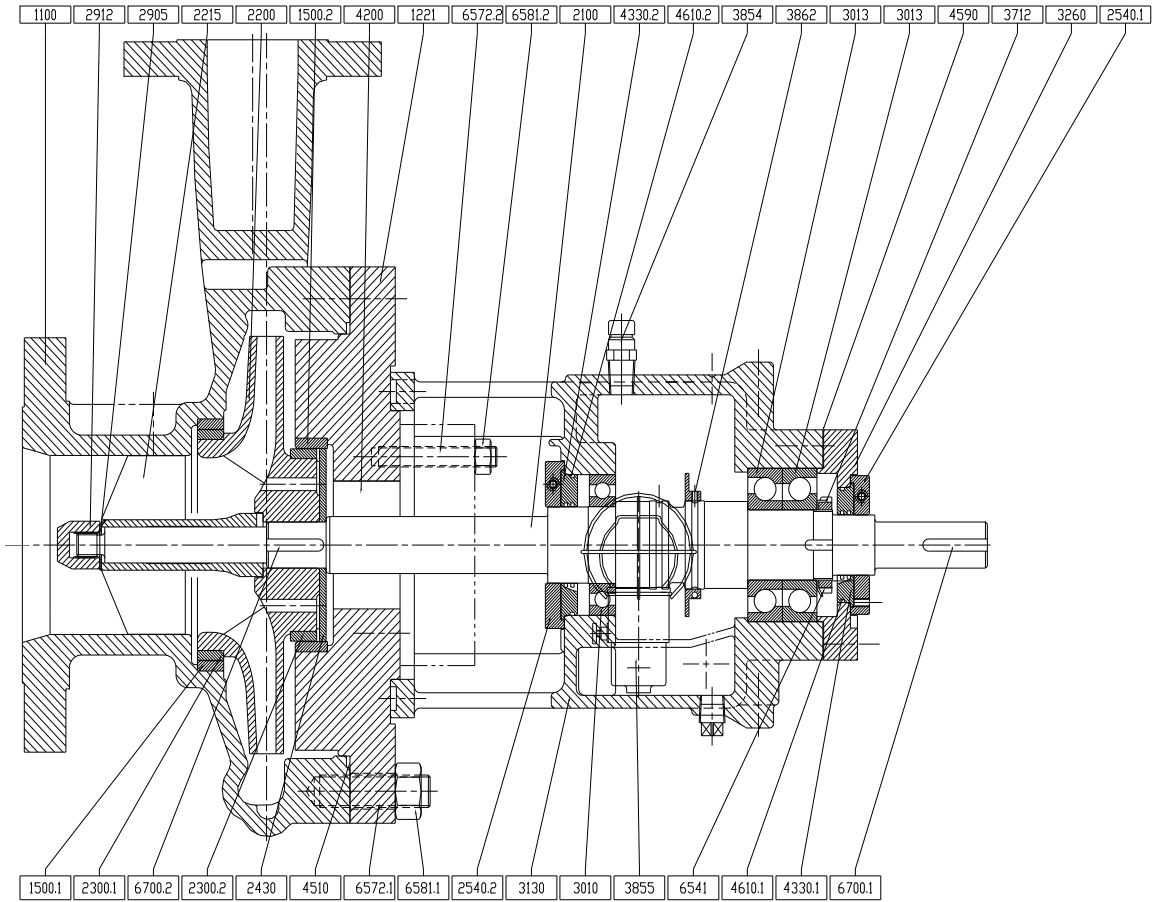
#### 8.5.1 Parts list

Ref no	Description
1100	Casing
1221	Casing Cover
1500	Casing Wear ring
2100	Shaft
2200	Impeller
2300	Impeller Wear Ring
2540.1	Deflector
2540.2	Deflector
2912	Impeller Nut
3010	Anti-Friction Bearing
3013	Thrust Ball bearing
3130	Bearing Bracket
3260	Bearing Cover
3712	Bearing Nut
3854	Oil Filter Plug
3855	Constant Level Oiler

3862	Lubricating Disk Thrower
4132	Neck Bush
4200	Mechanical Seal
4330.1	Labyrinth Ring
4330.2	Labyrinth Ring
4510	Gasket
4590	Gasket
4610.1	"O" Ring
4610.2	"O" Ring
6541	Lockwasher
6572.2	Stud
6572.1	Stud
6581.1	Hexagon Nut
6581.2	Hexagon Nut
6700.1	Key
6700.2	Key



### 8.6 Inducer Option

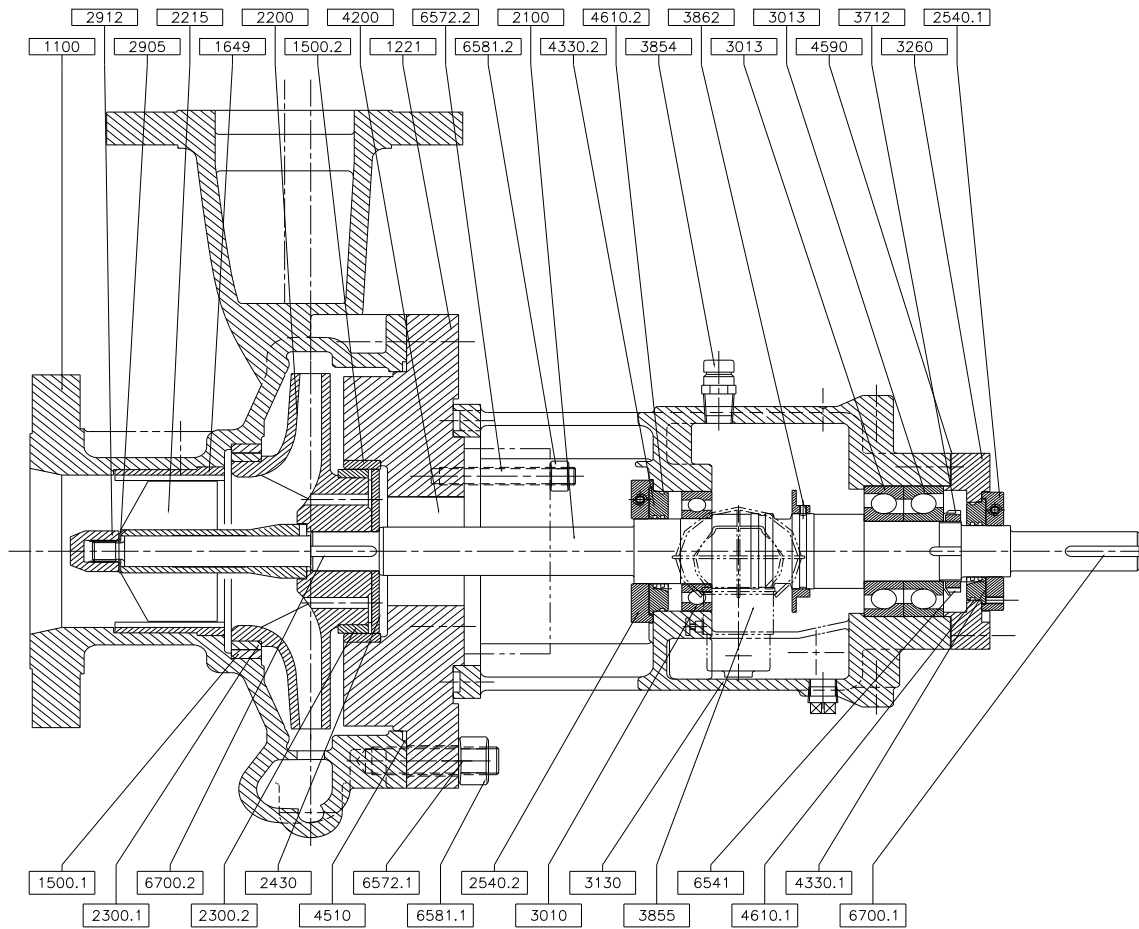


#### 8.6.1 Parts list

Ref no	Description
1100	Casing
1221	Casing Cover
1500.1	Casing Wear ring
1500.2	Casing Wear ring
2100	Shaft
2200	Impeller
2215	Inducer
2300.1	Impeller Wear Ring
2300.2	Impeller Wear Ring
2430	Throttling Sleeve
2540.1	Deflector
2540.2	Deflector
2905	Washer
2912	Impeller Nut
3010	Anti-Friction Bearing
3013	Thrust Ball bearing
3130	Bearing Bracket
3260	Bearing Cover

3712	Bearing Nut
3854	Oil Filter Plug
3855	Constant Level Oiler
3862	Lubricating Disk Thrower
4200	Mechanical Seal
4330.1	Labyrinth Ring
4330.2	Labyrinth Ring
4510	Gasket
4590	Gasket
4610.1	"O" Ring
4610.2	"O" Ring
6541	Lockwasher
6572.2	Stud
6572.1	Stud
6581.1	Hexagon Nut
6581.2	Hexagon Nut
6700.1	Key
6700.2	Key

### 8.7 Coke Crusher Option

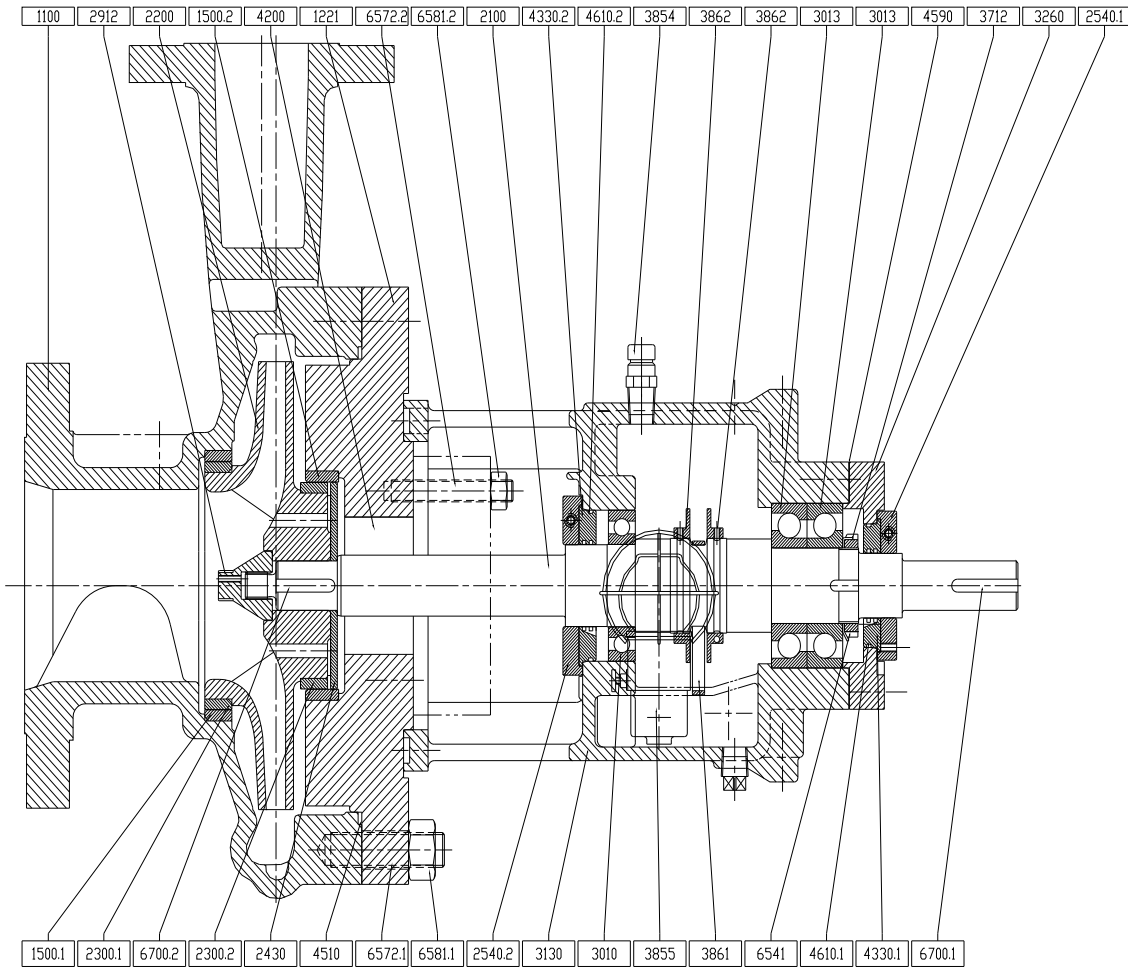


#### 8.7.1 Parts list

Ref no	Description
1100	Casing
1221	Casing Cover
1500.1	Casing Wear ring
1500.2	Casing Wear ring
2100	Shaft
2200	Impeller
2215.1	Coke Crusher
1649	Coke Crusher Housing
2300.1	Impeller Wear Ring
2300.2	Impeller Wear Ring
2430	Throttling Sleeve
2540.1	Deflector
2540.2	Deflector
2905	Washer
2912	Impeller Nut
3010	Anti-Friction Bearing
3013	Thrust Ball bearing
3130	Bearing Bracket
3260	Bearing Cover

3712	Bearing Nut
3854	Oil Filter Plug
3855	Constant Level Oiler
3862	Lubricating Disk Thrower
4200	Mechanical Seal
4330.1	Labyrinth Ring
4330.2	Labyrinth Ring
4510	Gasket
4590	Gasket
4610.1	"O" Ring
4610.2	"O" Ring
6541	Lockwasher
6572.2	Stud
6572.1	Stud
6581.1	Hexagon Nut
6581.2	Hexagon Nut
6700.1	Key
6700.2	Key

### 8.8 Oil Ring Lubrication

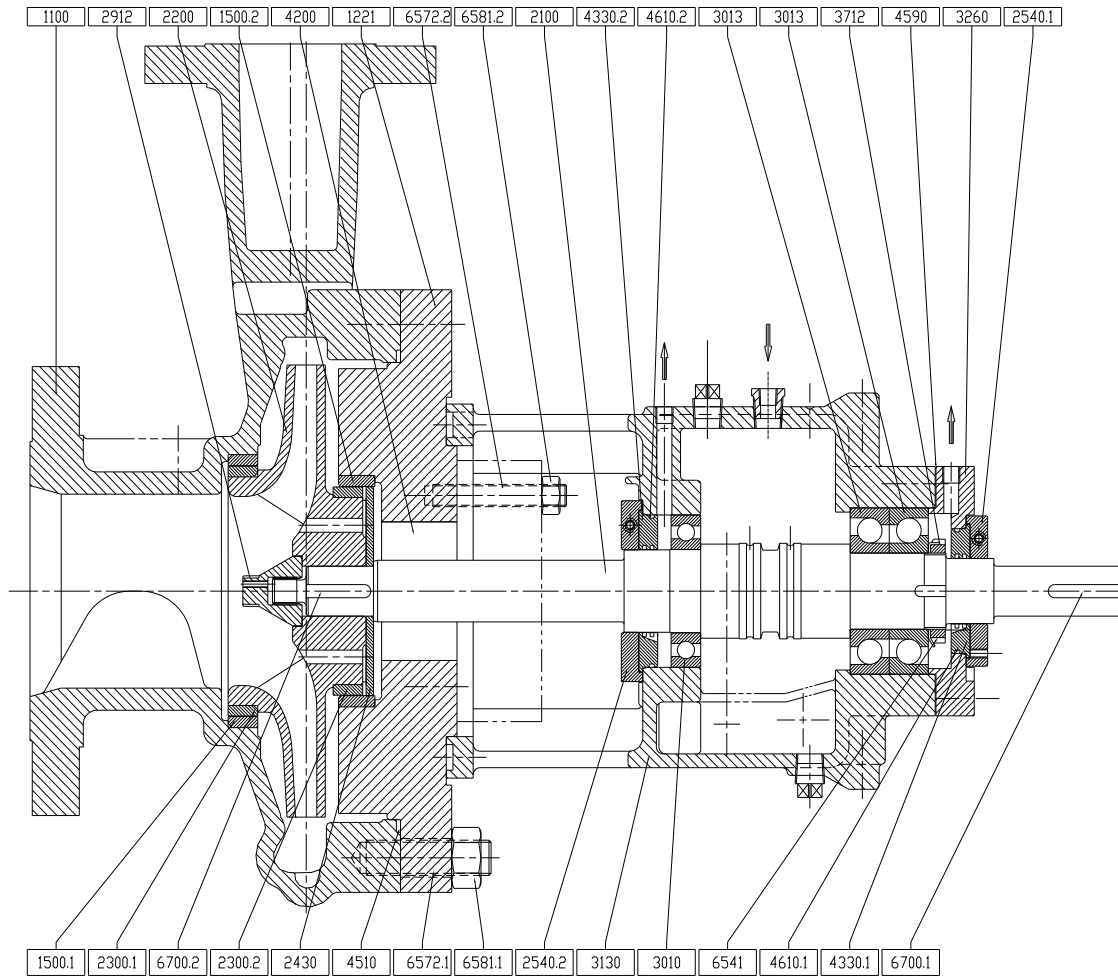


#### 8.8.1 Parts list

Ref no	Description
1100	Casing
1221	Casing Cover
1500.1	Casing Wear ring
1500.2	Casing Wear ring
2100	Shaft
2200	Impeller
2300.1	Impeller Wear Ring
2300.2	Impeller Wear Ring
2430	Throttling Sleeve
2540.1	Deflector
2540.2	Deflector
2912	Impeller Nut
3010	Anti-Friction Bearing
3013	Thrust Ball bearing
3130	Bearing Bracket
3260	Bearing Cover
3712	Bearing Nut
3854	Oil Filter Plug

3855	Constant Level Oiler
3861	Oil Ring
3862	Lubricating Disk Thrower
4200	Mechanical Seal
4330.1	Labyrinth Ring
4330.2	Labyrinth Ring
4510	Gasket
4590	Gasket
4610.1	"O" Ring
4610.2	"O" Ring
6541	Lockwasher
6572.2	Stud
6572.1	Stud
6581.1	Hexagon Nut
6581.2	Hexagon Nut
6700.1	Key
6700.2	Key

### 8.9 Pure Oil Mist Lubrication

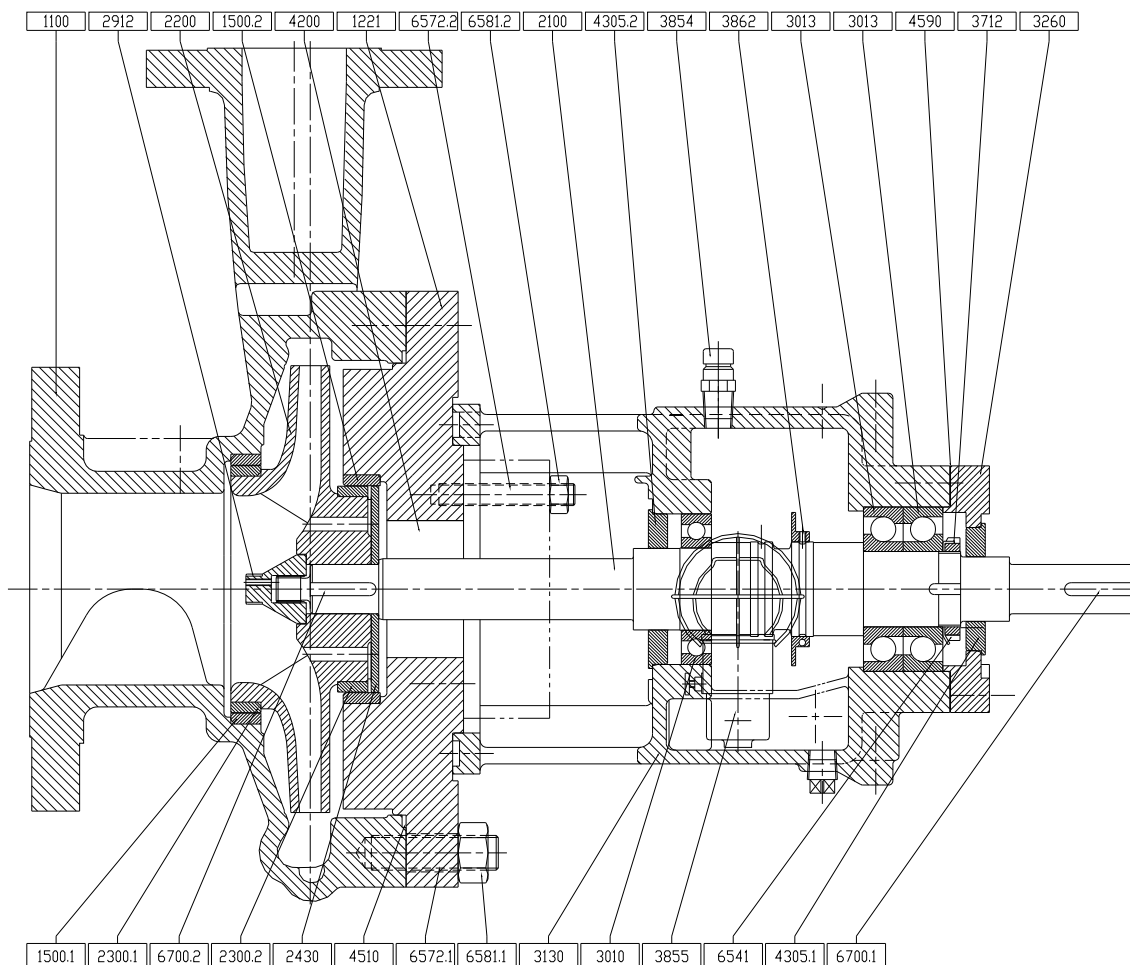


#### 8.9.1 Parts list

Ref no	Description
1100	Casing
1221	Casing Cover
1500.1	Casing Wear ring
1500.2	Casing Wear ring
2100	Shaft
2200	Impeller
2300.1	Impeller Wear Ring
2300.2	Impeller Wear Ring
2430	Throttling Sleeve
2540.1	Deflector
2540.2	Deflector
2912	Impeller Nut
3010	Anti-Friction Bearing
3013	Thrust Ball bearing
3130	Bearing Bracket
3260	Bearing Cover
3712	Bearing Nut

3854	Oil Filter Plug
3855	Constant Level Oiler
4200	Mechanical Seal
4330.1	Labyrinth Ring
4330.2	Labyrinth Ring
4510	Gasket
4590	Gasket
4610.1	"O" Ring
4610.2	"O" Ring
6541	Lockwasher
6572.2	Stud
6572.1	Stud
6581.1	Hexagon Nut
6581.2	Hexagon Nut
6700.1	Key
6700.2	Key

### 8.10 Bearing Isolator Option

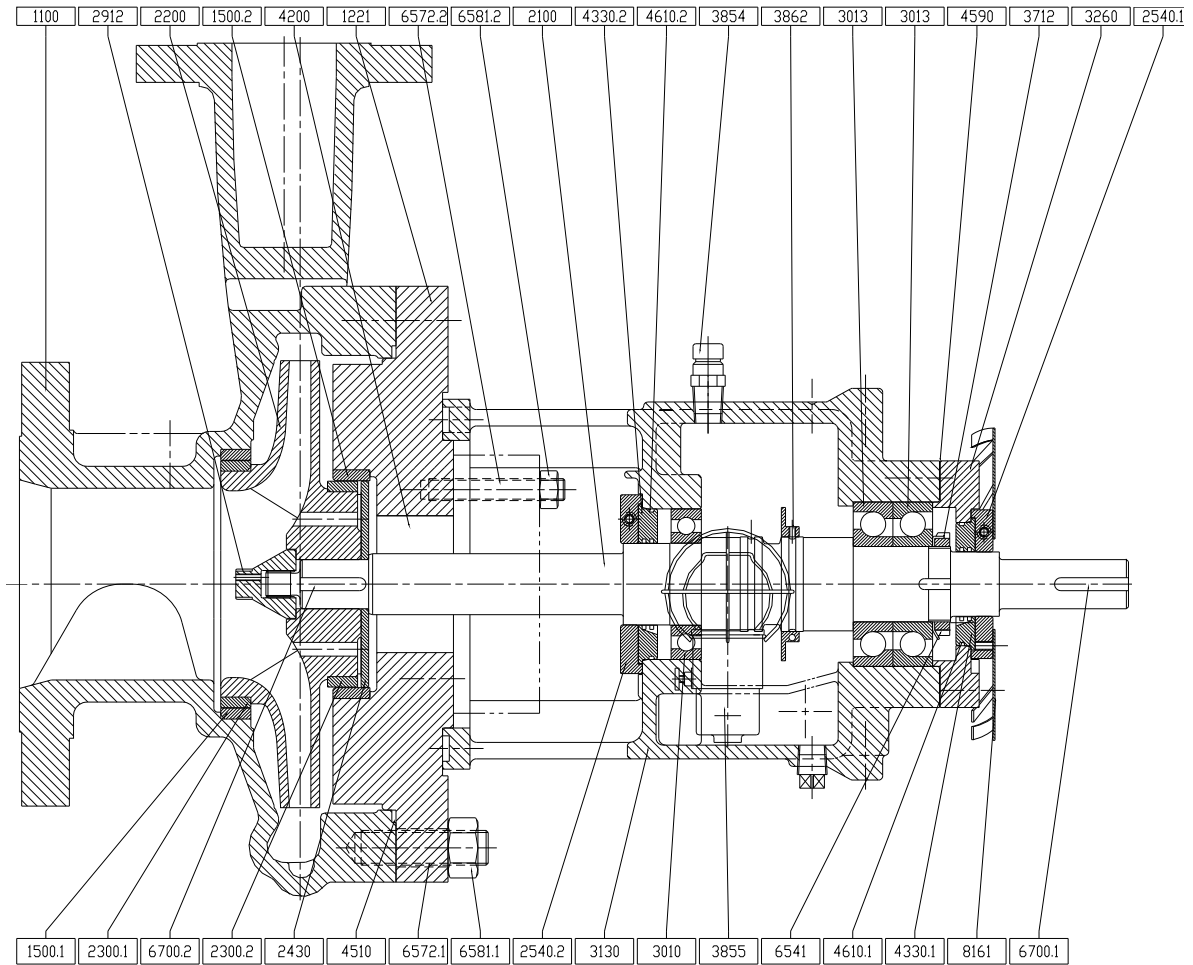


#### 8.10.1 Parts list

Ref no	Description
1100	Casing
1221	Casing Cover
1500.1	Casing Wear ring
1500.2	Casing Wear ring
2100	Shaft
2200	Impeller
2300.1	Impeller Wear Ring
2300.2	Impeller Wear Ring
2430	Throttling Sleeve
2540.1	Deflector
2540.2	Deflector
2912	Impeller Nut
3010	Anti-Friction Bearing
3013	Thrust Ball bearing
3130	Bearing Bracket
3260	Bearing Cover

3712	Bearing Nut
3854	Oil Filter Plug
3855	Constant Level Oiler
3862	Lubricating Disk Thrower
4200	Mechanical Seal
4305.1	Bearing Isolator
4305.2	Bearing Isolator
4510	Gasket
4590	Gasket
6541	Lockwasher
6572.2	Stud
6572.1	Stud
6581.1	Hexagon Nut
6581.2	Hexagon Nut
6700.1	Key
6700.2	Key

### 8.11 Fan Cooled Bearing Housing

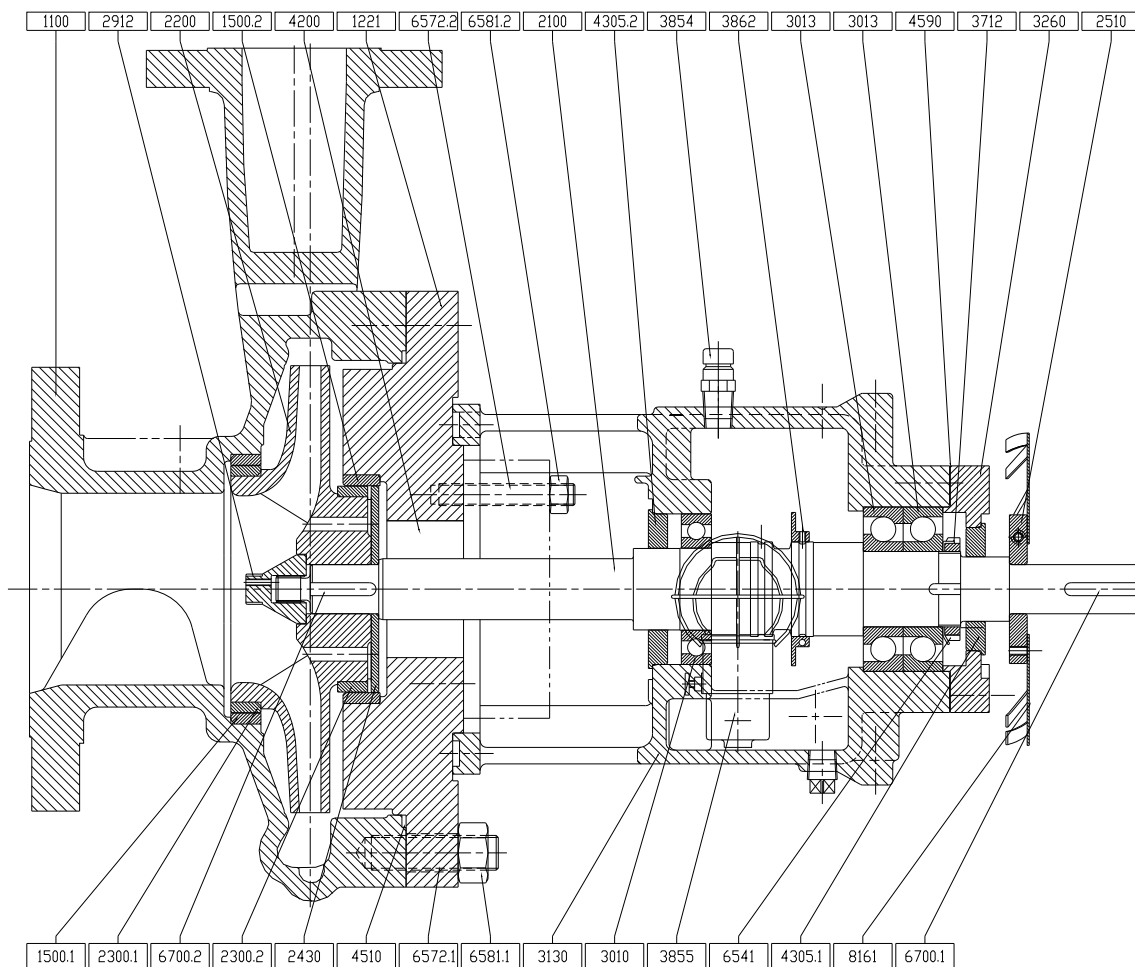


#### 8.11.1 Parts list

Ref no	Description
1100	Casing
1221	Casing Cover
1500.1	Casing Wear ring
1500.2	Casing Wear ring
2100	Shaft
2200	Impeller
2300.1	Impeller Wear Ring
2300.2	Impeller Wear Ring
2430	Throttling Sleeve
2540.1	Deflector
2540.2	Deflector
2912	Impeller Nut
3010	Anti-Friction Bearing
3013	Thrust Ball bearing
3130	Bearing Bracket
3260	Bearing Cover
3712	Bearing Nut
3854	Oil Filter Plug

3855	Constant Level Oiler
3862	Lubricating Disk Thrower
4200	Mechanical Seal
4330.1	Labyrinth Ring
4330.2	Labyrinth Ring
4510	Gasket
4590	Gasket
4610.1	"O" Ring
4610.2	"O" Ring
6541	Lockwasher
6572.2	Stud
6572.1	Stud
6581.1	Hexagon Nut
6581.2	Hexagon Nut
6700.1	Key
6700.2	Key
8161	Fan

### 8.12 Fan Cooled With Bearing isolator

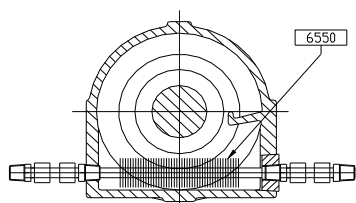
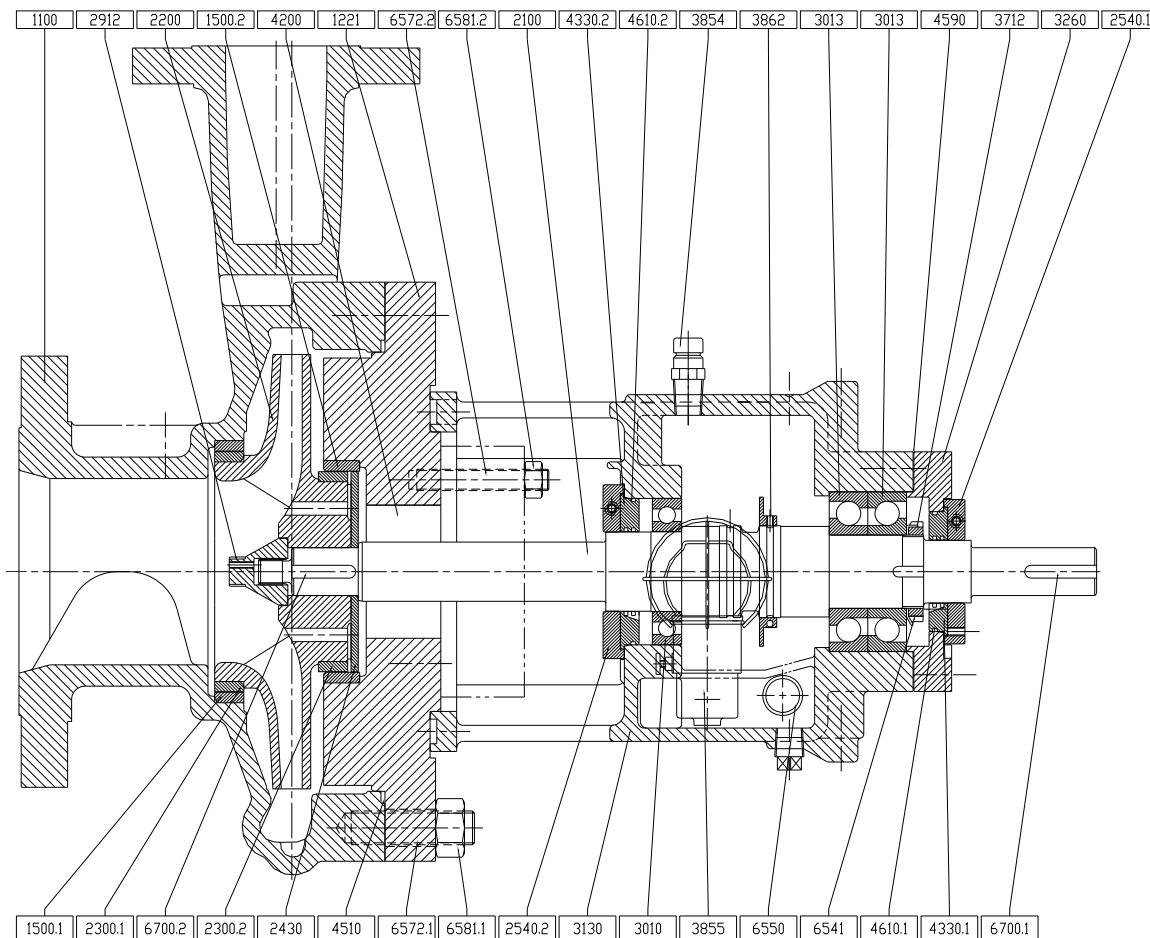


#### 8.12.1 Parts list

Ref no	Description
1100	Casing
1221	Casing Cover
1500.1	Casing Wear ring
1500.2	Casing Wear ring
2100	Shaft
2200	Impeller
2300.1	Impeller Wear Ring
2300.2	Impeller Wear Ring
2430	Throttling Sleeve
2510	Spacer Ring
2540.1	Deflector
2540.2	Deflector
2912	Impeller Nut
3010	Anti-Friction Bearing
3013	Thrust Ball bearing
3130	Bearing Bracket
3260	Bearing Cover

3712	Bearing Nut
3854	Oil Filter Plug
3855	Constant Level Oiler
3862	Lubricating Disk Thrower
4200	Mechanical Seal
4305.1	Bearing Isolator
4305.2	Bearing Isolator
4510	Gasket
4590	Gasket
6541	Lockwasher
6572.2	Stud
6572.1	Stud
6581.1	Hexagon Nut
6581.2	Hexagon Nut
6700.1	Key
6700.2	Key
8161	Fan

### 8.13 Water Cooled Bearing Housing



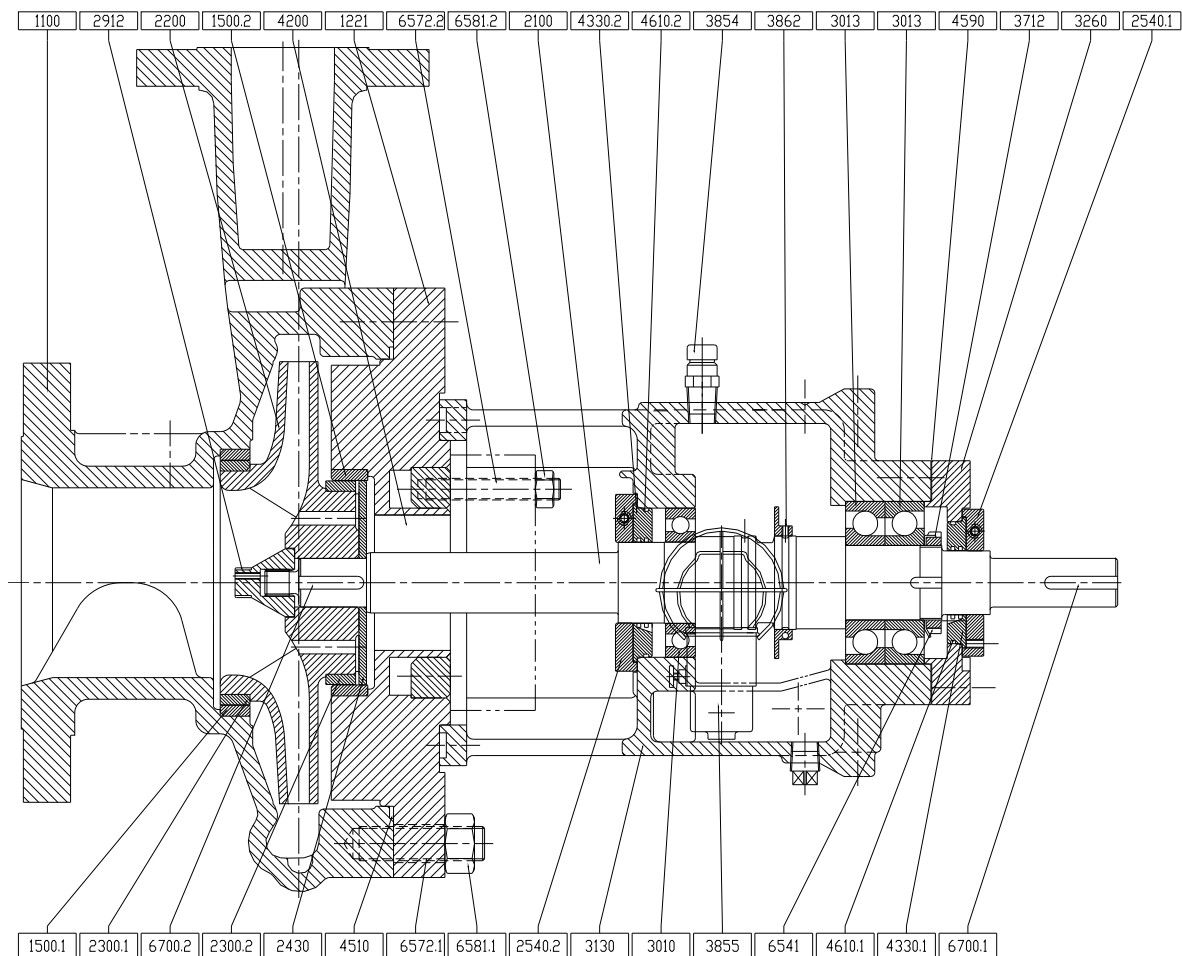
#### 8.13.1 Parts list

Ref no	Description
1100	Casing
1221	Casing Cover
1500.1	Casing Wear ring
1500.2	Casing Wear ring
2100	Shaft
2200	Impeller
2300.1	Impeller Wear Ring
2300.2	Impeller Wear Ring
2430	Throttling Sleeve
2540.1	Deflector
2540.2	Deflector
2912	Impeller Nut

3010	Anti-Friction Bearing
3013	Thrust Ball bearing
3130	Bearing Bracket
3260	Bearing Cover
3712	Bearing Nut
3854	Oil Filter Plug
3855	Constant Level Oiler
3862	Lubricating Disk Thrower
4200	Mechanical Seal
4330.1	Labyrinth Ring
4330.2	Labyrinth Ring
4510	Gasket
4590	Gasket
4610.1	"O" Ring
4610.2	"O" Ring
6541	Lockwasher
6551	Cooling Device
6572.2	Stud
6572.1	Stud
6581.1	Hexagon Nut
6581.2	Hexagon Nut
6700.1	Key
6700.2	Key



### 8.14 Cooled Casing Cover

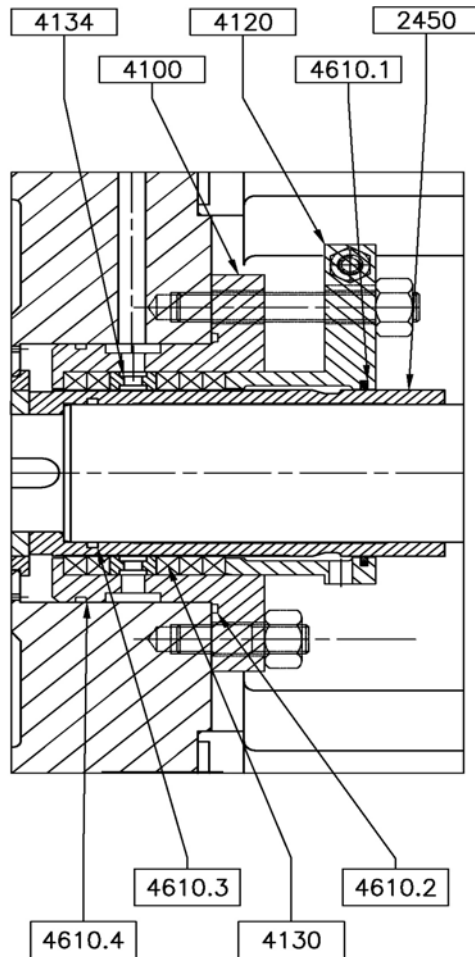


#### 8.14.1 Parts list

Ref no	Description
1100	Casing
1221	Casing Cover
1500.1	Casing Wear ring
1500.2	Casing Wear ring
2100	Shaft
2200	Impeller
2300.1	Impeller Wear Ring
2300.2	Impeller Wear Ring
2430	Throttling Sleeve
2540.1	Deflector
2540.2	Deflector
2912	Impeller Nut
3010	Anti-Friction Bearing
3013	Thrust Ball bearing
3130	Bearing Bracket
3260	Bearing Cover
3712	Bearing Nut

3854	Oil Filter Plug
3855	Constant Level Oiler
3862	Lubricating Disk Thrower
4200	Mechanical Seal
4330.1	Labyrinth Ring
4330.2	Labyrinth Ring
4510	Gasket
4590	Gasket
4610.1	"O" Ring
4610.2	"O" Ring
6541	Lockwasher
6572.2	Stud
6572.1	Stud
6581.1	Hexagon Nut
6581.2	Hexagon Nut
6700.1	Key
6700.2	Key

### 8.15 PACKED GLAND DETAIL



#### 8.15.1 Parts list

Ref no	Description
4610.4	O-Ring
4610.3	O-Ring
4610.2	O-Ring
4610.1	Joint Ring
4134	Lantern Ring
4130	Packing
4120	Stuffing Box Gland
4100	Packing Box
2450	Shaft Sleeve

### 8.16 General arrangement drawing

The typical general arrangement drawing and any specific drawings required by the contract will be sent to the Purchaser separately unless the contract specifically calls for these to be included into the User Instructions. If required, copies of other drawings sent separately to the Purchaser should be obtained from the Purchaser and retained with these User Instructions

## **9 CERTIFICATION**

Certificates determined from the Contract requirements are provided with these instructions where applicable. Examples are certificates for CE marking, ATEX marking etc. If required, copies of other certificates sent separately to the Purchaser should be obtained from the Purchaser for retention with these User Instructions.

## **10 OTHER RELEVANT DOCUMENTATION AND MANUALS**

### 10.1 Supplementary User Instruction manuals

Supplementary instruction determined from the contract requirements for inclusion into User Instructions such as for a driver, instrumentation, controller, sub-driver, seals, sealant system, mounting component etc are included under this section. If further copies of these are required they should be obtained from the purchaser for retention with these User Instructions.

### 10.2 Change notes

If any changes, agreed with Flowserve, are made to the product after its supply, a record of the details should be maintained with these User Instructions.

### 10.3 Additional sources of information

*Reference 1:*

NPSH for Rotodynamic Pumps: a reference guide, Europump Guide No. 1, Europump & World Pumps, Elsevier Science, United Kingdom, 1999.

*Reference 2:*

Pumping Manual, 9<sup>th</sup> edition, T.C. Dickenson, Elsevier Advanced Technology, United Kingdom, 1995.

*Reference 3:*

Pump Handbook, 2<sup>nd</sup> edition, Igor J. Karassik et al, McGraw-Hill Inc., New York, 1993.

*Reference 4:*

ANSI/HI 1.1-1.5

Centrifugal Pumps - Nomenclature, Definitions, Application and Operation.

*Reference 5:*

ANSI B31.3 - Process Piping.



**Your Flowserve factory contacts:**

Service & Warranty:

Flowserve - Italy  
Worthington S.r.l.  
Via Rossini, 90/92  
20832 Desio (MB) - Italy  
Telephone (24 hours) +39 0362 6121  
Fax +39 0362 628882  
+39 0362 620750

Spare Parts & Repair :

Flowserve Flow Solutions Group - Italy  
Worthington S.r.l.  
S.S. Sannitica, 87 – Km 19  
81025 Marcianise (CE) - Italy  
Telephone (24 hours) +39 0823 634111  
Fax +39 0823 821747  
+39 0823 634218

**Local Flowserve factory representatives:**

To find your local Flowserve representative please use the Sales Support Locator System found at [www.flowserve.com](http://www.flowserve.com)

**FLOWSERVE REGIONAL SALES OFFICES:**

**USA and Canada**

Flowserve Corporation  
5215 North O'Connor Blvd.,  
Suite 2300  
Irving, Texas 75039-5421 USA  
Telephone 1 972 443 6500  
Fax 1 972 443 6800

**Europe, Middle East, Africa**

Worthing S.r.L.  
Flowserve Corporation  
Via Rossini 90/92  
20832 Desio (Milan) Italy  
Telephone 39 0362 6121  
Fax 39 0362 303396

**Latin America and Caribbean**

Flowserve Corporation  
6840 Wynnwood Lane  
Houston, Texas 77008 USA  
Telephone 1 713 803 4434  
Fax 1 713 803 4497

**Asia Pacific**

Flowserve Pte. Ltd  
10 Tuas Loop  
Singapore 637345  
Telephone +65 6771 0600  
Fax +65 6779 4607