



WATER LEAK DETECTOR

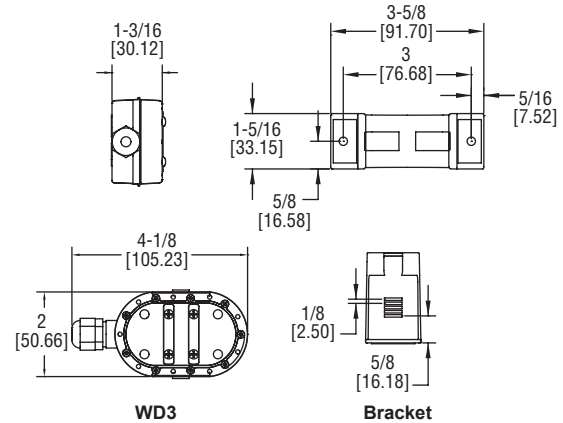
Battery or External Powered, SPST or DPDT Relays



WD3-BP



WD3-LP



WD3

Bracket



Scan here to watch product video

The **SERIES WD3** Water Leak Detectors protect equipment from water damage by detecting the presence of water. Model WD3-BP-D1-A is battery powered, all other is requires AC or DC supply voltages.

FEATURES/BENEFITS

- Audible and visual alerts provide local indication of the alarm condition and internal switch will give remote indication or control to prevent further buildup of water
- Sensing height can be adjusted as low as 1/32" (0.79 mm) using the included adjustable mounting bracket
- Mounting bracket can attach to any flat surface by either using the attached adhesive strips or mounting screws for easy installation

APPLICATIONS

- AHU drip pans
- Radiant floors
- Data centers
- Sump pumps
- Drains

MODEL CHART

Model	Output	Power	Audible Alarm
WD3-BP-D1-A	SPST NO SSR	Battery	Yes
WD3-LP-D2	DPDT relay	11 to 27 VAC/DC	No
WD3-LP-D2-A	DPDT relay	11 to 27 VAC/DC	Yes

ACCESSORY

Model	Description
A-WD3-BRK	Replacement mounting bracket

SPECIFICATIONS

Service: Water or conductive fluids.

Minimum Sensing Gap: 1/32".

Switch Type: Battery powered model: SPST NO SSR; External powered models: DPDT relay.

Electrical Ratings: Battery powered model: Pilot duty rating 250 mA @ 24 VDC; External powered models: 1 A @ 24 VAC/DC.

Audible Alarm: At least 85 dB @ 1' distance (depends on model).

Visual Alarm: Red LED for water level; Yellow LED for low battery (battery powered model only); Green LED for power condition (external powered models only).

Temperature Limits: 32 to 122°F (0 to 50°C).

Power Requirements: Battery powered model: 3V CR2450 lithium metal battery, installed functional, user replaceable; External powered models: 24 VAC (±10%) or 11 to 27 VDC.

Power Consumption: Battery powered model: 0.9 mA steady state / 3.0 mA during alarm condition; External powered models: 30 mA steady state / 85 mA during alarm condition.

Battery Life: 5 years steady state / 48 hours during alarm condition.

Electrical Connections: 4.9' (1.5 m), 22 AWG, PVC, UL plenum rated cable.

Enclosure Material: ABS and polycarbonate with flammability classification UL 94 V-0.

Enclosure Rating: Audible alarm models: Watertight up to 3/4 of the body height; Non-audible alarm models: NEMA 6P (IP 68) submersible.

Weight: 4.85 oz (137.5 g).

Agency Approvals: CE, RoHS.