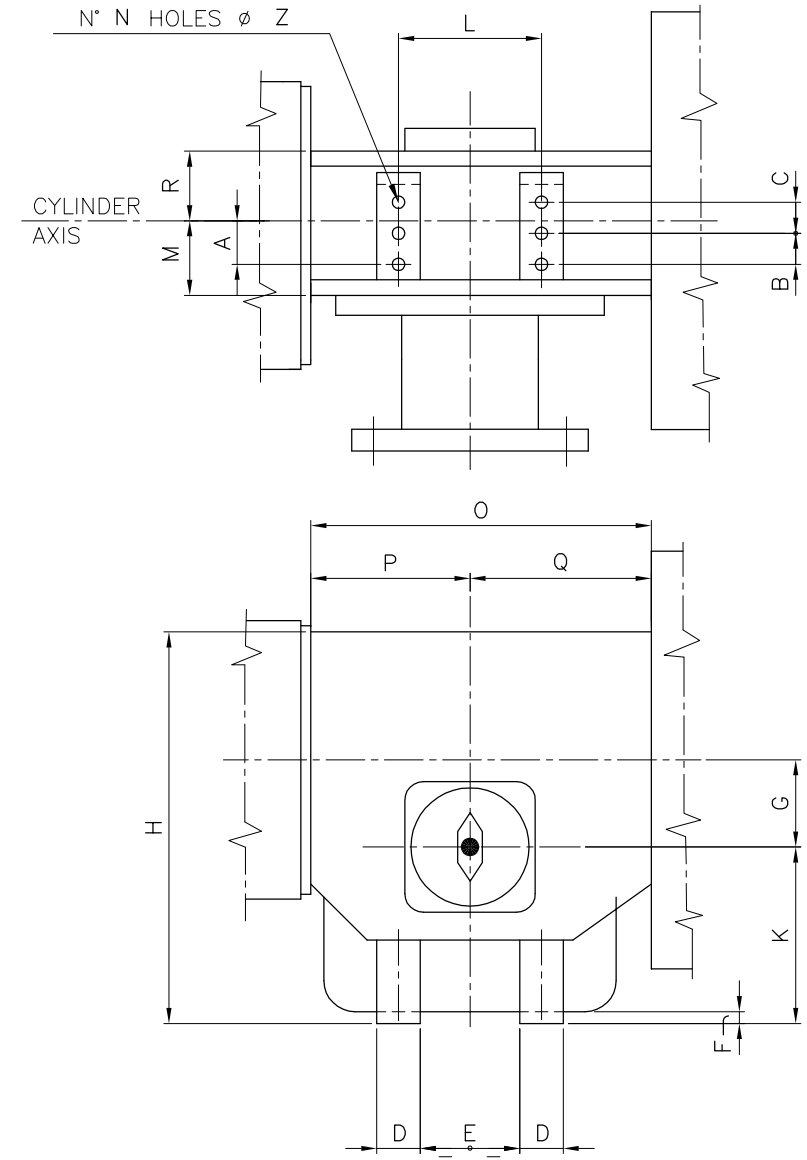


MATERIAL	ACTUATOR TYPE	A	B	C	D	E	F	G	K	H	L	M	N	Z	O	P	Q	R	
MILD STEEL	GP GH GO HPG	040	19.5	40	-	45	90	4	40	100	200	150	59.5	4	12	192	96	96	48.5
MILD STEEL	GP GH GO HPG	060	34	40	-	45	90	4	60	105	233	150	72	4	12	236	118	118	63
MILD STEEL	GP GH GO HPG	065	40	55	-	50	100	8	65	145	341	150	80	4	14	355	165	190	68
MILD STEEL	GP GH GO HPG	085	40	55	-	50	100	10	85	150	381	150	80	4	14	415	195	220	68
CAST IRON			40	55	-	-	-	-	85	130	370	150	80	4	M12x25	415	195	220	68
MILD STEEL	GP GH GO HPG	100	50	55	30	50	100	10	100	160	432	150	93	6	14	480	225	255	83
MILD STEEL	GP GH GO HPG	130	59	55	30	50	100	10	130	210	535	150	102	6	14	565	265	300	83
CAST IRON			68	55	55	-	-	-	130	161.5	517	150	113	6	M12x30	577	271	306	99
MILD STEEL	GP GH GO HPG	160	74	55	55	50	100	10	160	240	658	150	127	6	14	720	340	380	104
CAST IRON	GP GH GO HPG	161	2.5	55	55	-	-	-	160	231.5	648	150	158	6	M12x23	735	347.5	387.5	140.5
MILD STEEL	GP GH GO HPG	161	74	55	55	50	100	10	160	240	661	150	150	6	14	720	340	380	127
MILD STEEL	GP GH GO HPG	200	95	55	55	50	100	10	200	280	785	150	153	6	14	900	425	475	127
MILD STEEL	GP GH GO HPG	201	105	55	55	50	100	10	200	280	815	150	163	6	14	900	425	475	138
MILD STEEL	GP GH GO HPG	270	117	55	55	50	100	10	270	310	952	150	180	6	14	1090	510	580	162
MILD STEEL	GP GH GO HPG	271	127	55	55	50	100	10	270	340	982	150	210	6	14	1090	510	580	190
MILD STEEL	GP GH GO HPG	350	207	100	100	100	200	20	350	520	1500	300	360	6	17	1740	820	920	360



ALL DIMENSIONS ARE IN MM

rotork
fluid system

COUPLING ADAPTION
FOR POWER CONTROL UNITS

09	07.06.12	MARLIA	NICOLINI
08	31.07.06	BERNINI	BARSOTTI
00	02.11.95	Camoni	Pisaroni
rev.	date	drawn	check
GD00198-040			