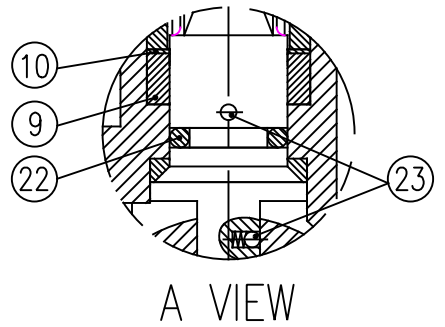
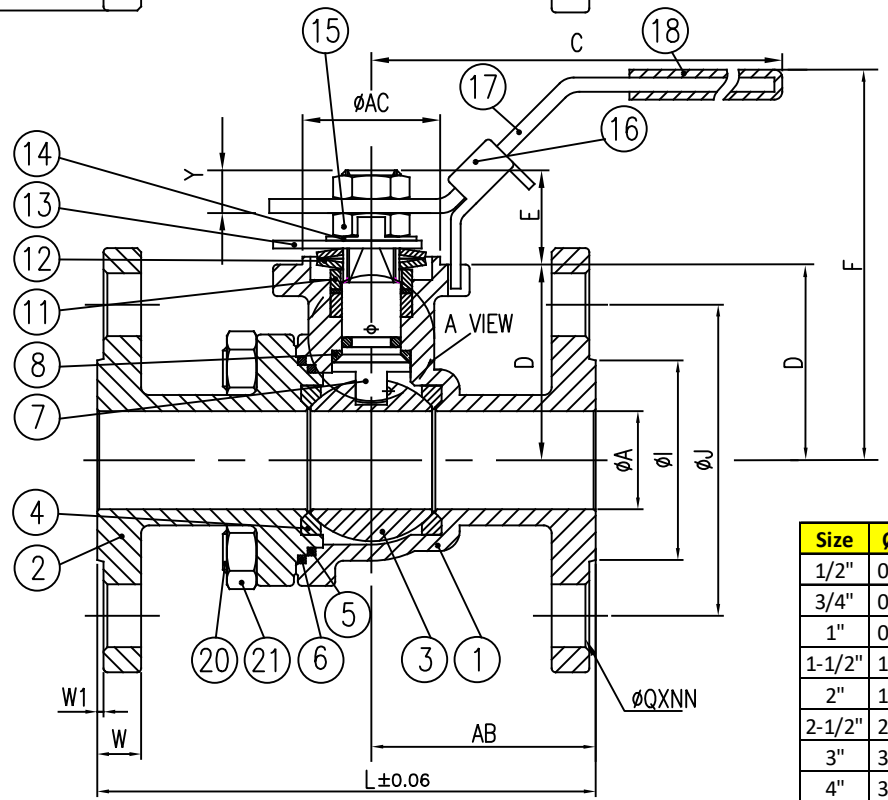
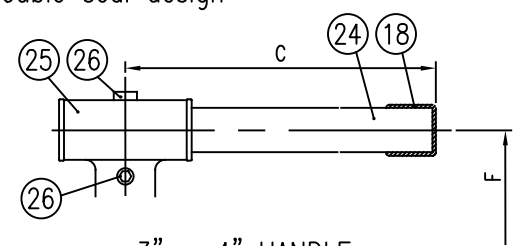


# Series F90G

ASME CLASS 150 BALL VALVE  
1/2" - 4"

Double seal design



No.	PART NAME	QTY	MATERIAL
1	BODY	1	ASTM A890 GRADE CE3MN
2	END CAP	1	ASTM A890 GRADE CE3MN
3	BALL	1	ASTM A890 GRADE CE3MN
4	SEAT	2	TFM™-1600
5	JOINT GASKET	2	TFM™-1600
6	JOINT GASKET	2	GRAPHITE
7	STEM	1	UNS S32750
8	STEM SEAL	1	TFM™-1600
9	STEM PACKING	1SET	GRAPHITE
10	GLAND WASHER	1	RTFE
11	GLAND BUSHING	1	AISI 316
12	BELLEVILLE WASHER	2	AISI 301
13	LOCKING PLATE	1	AISI 316
14	LOCK SADDLE	1	AISI 316
15	STEM NUT	2	AISI 316
16	LOCKING DEVICE	1	AISI 316
17	HANDLE	1	AISI 316
18	HANDLE SLEEVE	1	VINYL
19	STOP BOLT	1	AISI 316
20	BODY STUDS	*	ASTM F593 F593E
21	BODY STUD NUTS	*	ASTM F594 F594G
22	O-RING	1	FKM
23	ANTI-STATIC DEVICE	2	AISI 316
24	HANDLE BAR	1	AISI 316
25	HANDLE HUB	1	AISI 316

\*1/4" to 2" - 4pcs, 2-1/2" - 4" - 8pcs

Size	$\phi A$	B	C	D	E	F	$\phi I$	$\phi J$	L	$\phi N$	Q	W	W1	Y	Z	$\phi AC$	$\phi AD$	$\phi DD$	NN	ISO 5211
1/2"	0.59	0.315	6.69	1.34	0.91	3.15	1.38	2.38	4.26	3.50	0.63	0.44	0.06	0.36	M5	1.18	0.44	1.654	4	F04
3/4"	0.79	0.315	6.69	1.65	0.91	3.43	1.69	2.75	4.62	3.88	0.63	0.44	0.06	0.40	M5	1.18	0.44	1.654	4	F04
1"	0.98	0.382	8.15	1.95	0.93	4.06	2.00	3.12	5.00	4.25	0.63	0.44	0.06	0.42	M6	1.38	0.56	1.969	4	F05
1-1/2"	1.50	0.472	10.28	3.08	1.37	6.02	2.88	3.88	6.50	5.00	0.63	0.56	0.06	0.58	M8	2.17	0.75	2.756	4	F07
2"	1.97	0.472	10.28	3.40	1.37	6.38	3.62	4.75	7.02	6.00	0.75	0.63	0.06	0.58	M8	2.17	0.75	2.756	4	F07
2-1/2"	2.56	0.472	10.28	3.83	1.37	6.81	4.12	5.50	7.48	7.00	0.75	0.69	0.06	0.58	M8	2.17	0.75	2.756	4	F07
3"	3.15	0.591	13.94	4.23	1.81	6.95	5.00	6.00	8.01	7.50	0.75	0.75	0.06	0.93	M10	2.76	0.94	4.016	4	F10
4"	3.94	0.591	13.94	4.82	1.79	7.52	6.19	7.50	9.04	9.00	0.75	0.94	0.06	0.93	M10	2.76	0.94	4.016	8	F10



9955 INTERNATIONAL BLVD.  
CINCINNATI, OHIO 45246  
PHONE: (513) 247-5465  
FAX: (513) 247-5462

TOLERANCE UNLESS OTHERWISE SPECIFIED:  
TWO PLACE DECIMAL DIM. ±0.02  
THREE PLACE DECIMAL DIM. ±0.010  
ANGULAR DIM. ±0.5°

DRAWN BY CMB  
DATE 04/22/22

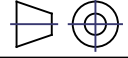
CHECKED BY NPM  
DATE 04/22/22

RELEASED BY NPM  
DATE 04/22/22

HEAT #  
MATERIAL

SHEET 1 of 1

DO NOT SCALE DRAWING



DESCRIPTION  
SERIES F90G SUPER DUPLEX BALL VALVE  
SIZES 1/2" - 4", TFM-1600 SEATS  
DOUBLE SEAL DESIGN

DRAWING NO.  
**P04177**

REVISION  
**A**

THE DESIGN AND DISCLOSURE CONTAINED IN THIS DRAWING WAS ORIGINATED BY, AND IS EXCLUSIVE PROPERTY OF A-T CONTROLS, INC. IT IS FURNISHED FOR VENDOR INFORMATION ONLY AND IS NOT AN AUTHORIZATION OR LICENSE TO MAKE THIS CONSTRUCTION OR TO FURNISH THIS INFORMATION TO OTHERS. ALL DRAWINGS MUST BE RETURNED TO A-T CONTROLS, INC. ON DEMAND. THIS DRAWING IS NOT TO BE REPRODUCED OR COPIED IN ANY FORM WITHOUT THE EXPRESS WRITTEN PERMISSION OF A-T CONTROLS, INC.