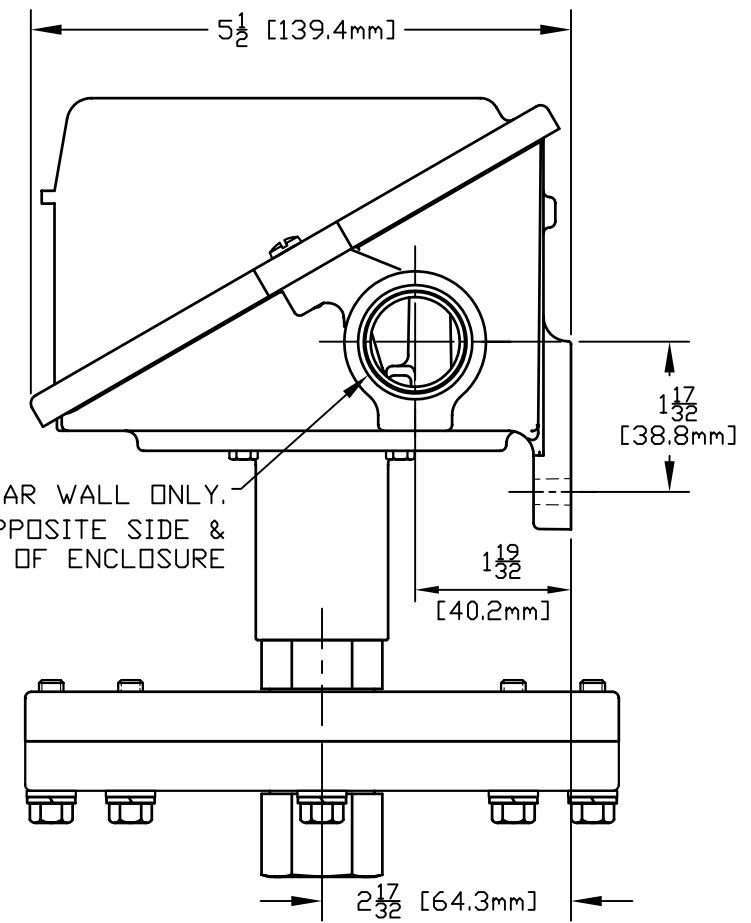
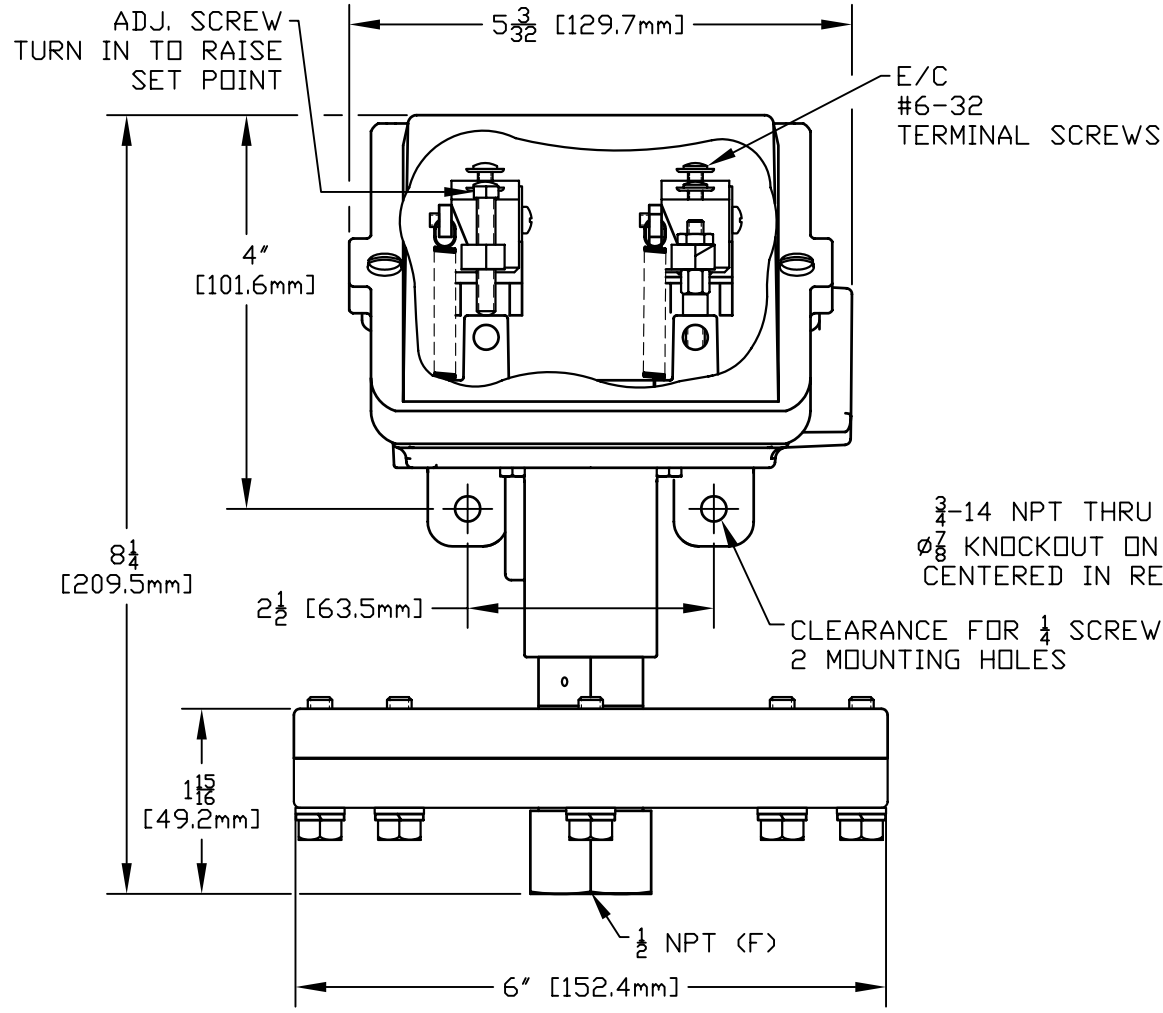


UL LISTED, CSA CERTIFIED, NEMA 4.
I & M SHEET IMP400.



AGENCY CRITICAL DOCUMENT,
NO REVISIONS ALLOWED WITHOUT
UEC ENGINEERING APPROVAL.

525	10 TO 250	24,91 TO 622,70
524	2.5 TO 50	6,23 TO 124,54
523	0.5 TO 5	1,25 TO 12,45
522	-50 TO 50	-124,54 TO 124,54
521	-10 TO 10	-24,91 TO 24,91
520	-300 TO 0	-747,24 TO 0
MODEL NO.	*WC	mBAR
	ADJUSTABLE RANGE	
	LOW END OF RANGE ON FALL	
	HIGH END OF RANGE ON RISE	

SYM	DESCRIPTION	DATE	DWN	APPD
G	DEL. VENT HOLE NOTE. ECN#E1269	6-23-05	S.R.	LK
F	REDRAWN. UPDATED ENCLOSURE. ECN#E0821	6-28-04	SR	HN
REVISIONS				

ORIGINAL DATE	10-21-94
DRWN	PETER WEILER
CHKD	PETER WEILER
APPD	L.KHATCHADOURIAN
UNLESS OTHERWISE SPECIFIED DIMENSIONS ARE IN INCHES	
DO NOT SCALE THIS DRAWING	

TITLE	J402 520 TO 525
PROCESS	
SCALE	1:2

DF001D

UNITED ELECTRIC
CONTROLS COMPANY
WATERTOWN * MASSACHUSETTS

DWG NO
A-12979