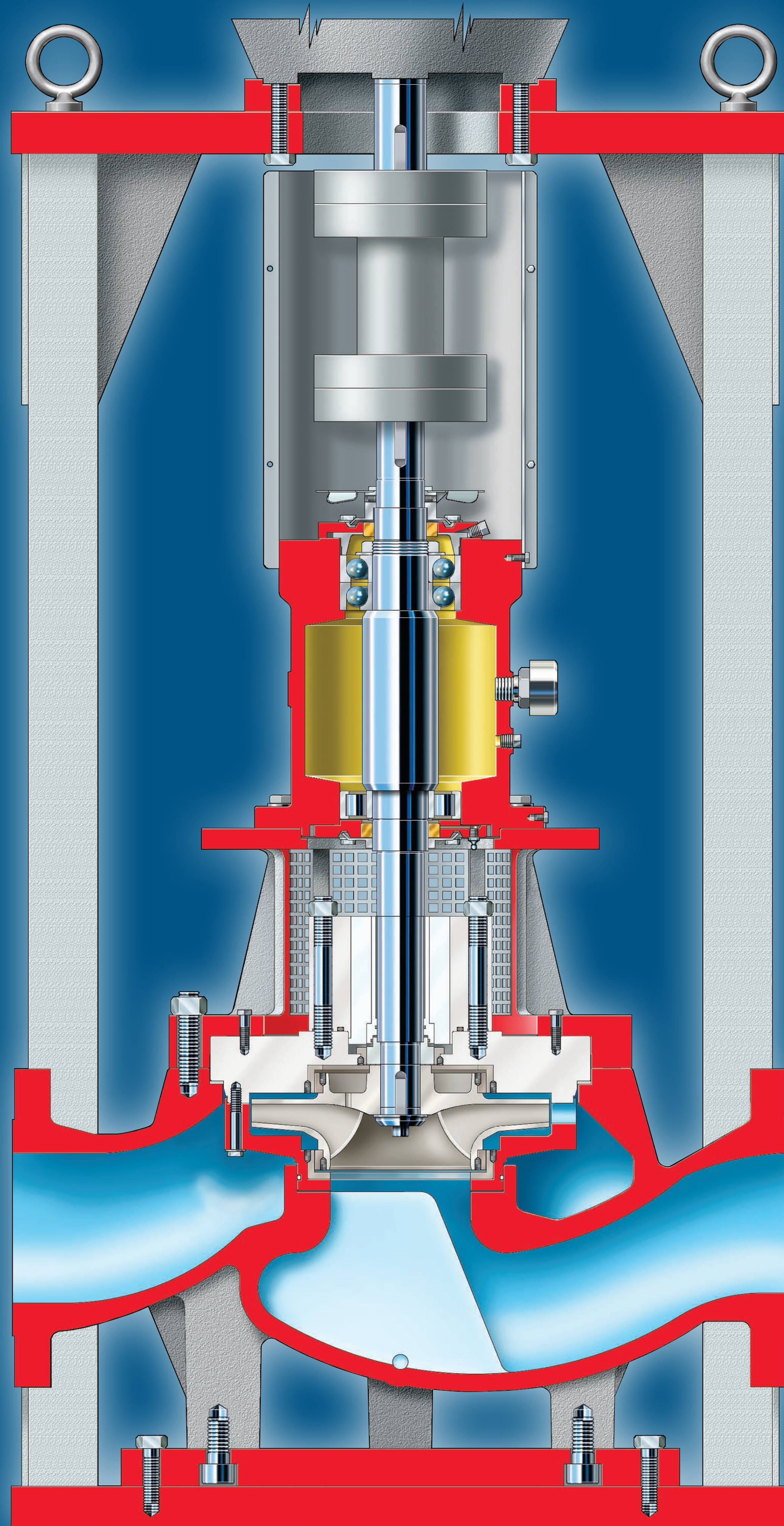


PVXM

API 610 (OH3) / ISO 13709 Vertical In-Line Pump



FPD-1085-PVXM (E) Printed in USA, August 2009
© Flowserve Corporation