

SERIES EDPS | HVAC DIFFERENTIAL PRESSURE SWITCH

FEATURES/BENEFITS

- Adjustment knob changes switching pressure easily with a pressure gage reducing components for application
- Low cost device makes it an excellent solution in BAS and HVAC applications requiring duct control and monitoring
- Relay contact allows simple integration with DDC or building systems

APPLICATIONS

- Air filter and ventilator monitoring
- Industrial cooling circuits
- Fire-protection damper control
- Ventilation duct monitoring
- Fan heater overheating protection
- Heat exchanger frost protection

DESCRIPTION

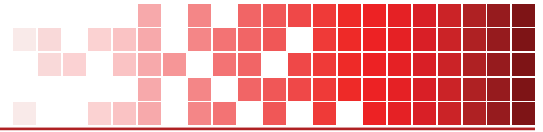
The **Series EDPS Adjustable Differential Pressure Switch** is designed for pressure, vacuum, and differential pressures. The dual scaled adjustment knob in inches water column and Pascals allows changes to the switching pressure to be made without a pressure gage. The EDPS is available with settings from 0.08 in w.c. (20 Pa) up to 16 in w.c. (4000 Pa). The silicone diaphragm and PA 6.6 body make the series EDPS ideal for use with air and other noncombustible gases. The compact size, adjustment knob and meeting the UL508 standard make the EDPS the perfect choice for HVAC applications.



SPECIFICATIONS

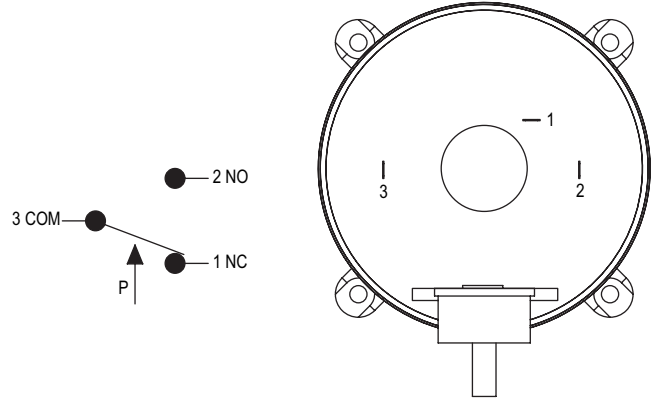
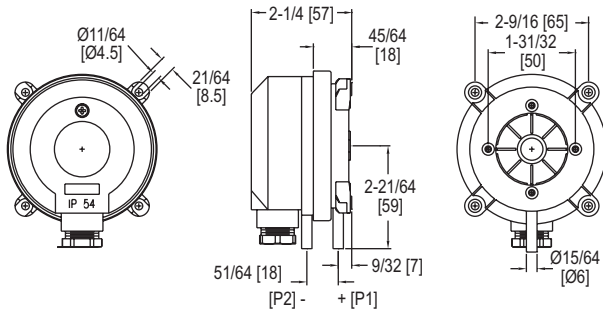
Service	Air and non-combustible, compatible gases.
Wetted Materials	Diaphragm material: Silicone; Housing material: PA 6.6; Cover: Polystyrene; Materials UL 94 V-0 rated.
Temperature Limits	Process and ambient temperature from -4 to 140°F (-20 to 60°C).
Pressure Limits	Max. operating pressure: 40 in w.c. (10 kPa) for all pressure ranges.
Switch Type	Single-pole double-throw (SPDT).
Electrical Rating	Max. 1.0 A/250 VAC, 50/60 Hz, max switching rate: 6 cycles/min.
Electrical Connections	Push-on screw terminals. 1/2" NPT connection. M20x1.5 with cable strain relief optional.
Process Connections	5/16" (7.94 mm) outside diameter tubing, 1/4" (6.0 mm) inside diameter tubing.
Enclosure Rating	NEMA 13 (IP54).
Mounting Orientation	Vertically, with pressure connections pointing downwards.
Mechanical Working Life	Over 10 ⁶ switching operations.
Weight	5.6 oz (160 g).
Agency Approvals	CE; ETL approved to UL508 and CSA C22.2#14, RoHS.





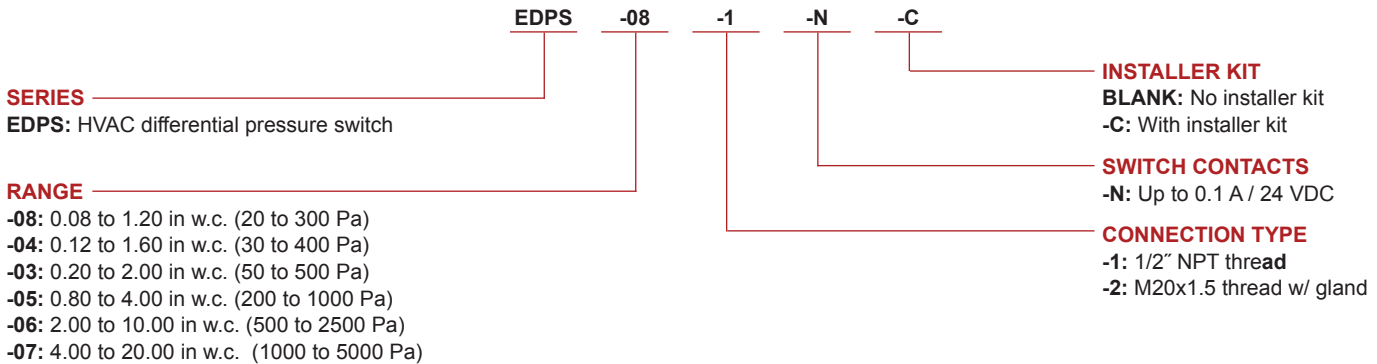
DIMENSIONS

WIRING DIAGRAM



HOW TO ORDER

Use the **bold** characters from the chart below to construct a product code.



ACCESSORIES

Model	Description
A-288	"L" type metal mounting bracket with screws
A-289	"S" type metal mounting bracket with screws
A-481	Installer kit, includes 2 plastic static pressure tips & 7' (2.1 m) of PVC tubing
A-489	4" straight static pressure tip with flange

Important Notice: Dwyer Instruments, Inc. reserves the right to make changes to or discontinue any product or service identified in this publication without notice. Dwyer advises its customers to obtain the latest version of the relevant information to verify, before placing any orders, that the information being relied upon is current.

