

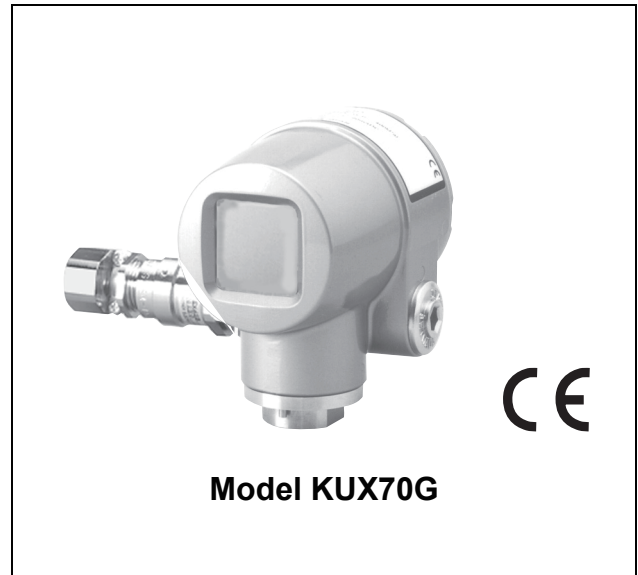
# Field type P/I Converter

## Model KUX60G/KUX70G

### OVERVIEW

The model KUX60G/70G field type P/I converter is a microprocessor-based, pneumatic-electric current signal converter, which employs a silicon pressure sensor.

It converts a pneumatic signal to a 4 to 20 mA DC current signal with high accuracy and excellent stability.



### STANDARD SPECIFICATIONS

#### **Input signal**

20 to 100 kPa (Max. working pressure 200 kPa)

#### **Output signal**

4 to 20 mA DC

#### **Normal supply voltage**

24  $\pm$ 0.2VDC

#### **Supply voltage and load resistance**

See the supply voltage and loop resistance chart. (Figure 1)

#### **Air piping connection**

Rc1/4 or 1/4NPT internal screw

#### **Electrical conduit connection**

G1/2 internal screw

#### **Material of transmitter case**

Aluminum alloy

#### **Ambient temperature range**

- 25 to 70°C (Standard model)  
- 20 to 60°C (TIIS Flameproof model)

#### **Ambient humidity range**

5 to 100% RH

#### **Accuracy**

$\pm$ 0.25% F.S.

#### **Ambient temperature effect**

Zero shift:  $\pm$ 0.7% F.S. / 30°C

Zero and Span shift:  $\pm$ 1.9% F.S. / 30°C

#### **Mounting**

2 inch bracket

#### **Weight**

Approx. 0.9 kg

#### **Electronic housing finish**

Baked acrylic paint, metallic green (Munsell 5G7/8)

#### **Type of protection**

NEMA 3 and 4X, IEC IP67

TIIS oil-immersed type flameproof Exdo II CT4X (KUX70G)

#### **CE certification**

89/336/EEC EMC Directive

**MODEL SELECTION**

e.g. KUX70G-AAB1N2-X-FH

Product Description	Standard model	KUX60G	-	G
	TIIS Flameproof model	KUX70G	-	A

Pneumatic Signal	20 to 100 kPa	A
	0.2 to 1.0 kgf/cm <sup>2</sup> *1	B
	0.2 to 1.0 bar *1	C
	3 to 15 psi *1	D
	19.6 to 98.1 kPa *1	E

Material Diaphragm / wetted parts other than diaphragm / fill fluid	SUS316L / SUS316 / Silicone oil	B1
--	---------------------------------	----

Process connection	Rc1/4 internal thread	C2
	1/4NPT internal thread	N2

Option 1	-
----------	---

No option	X
-----------	---

Heavy duty corrosion-proof coating	B
------------------------------------	---

Option2	-
---------	---

No option	X
-----------	---

Test report	1
-------------	---

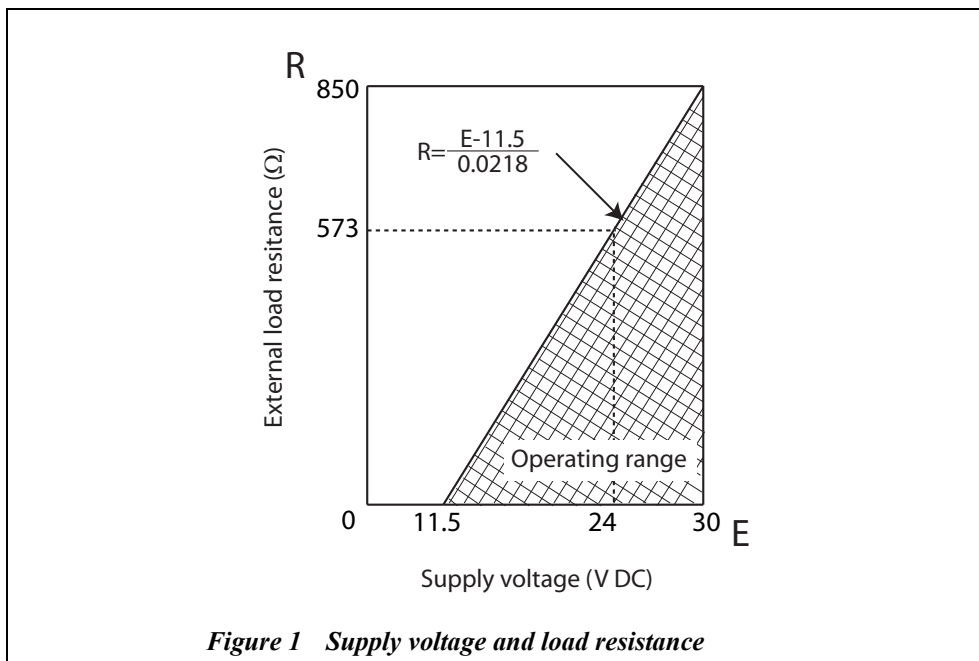
Traceability certificate	6
--------------------------	---

Non SI unit *1	F
----------------	---

With one elbow for air piping connection	V
--	---

Mounting bracket	H
------------------	---

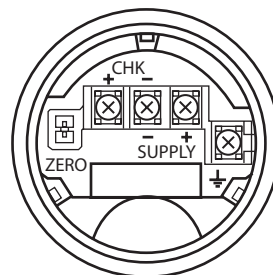
Note) \*1: For Pneumatic signal range in Non-SI units, "Non SI unit" code "F" in Option 2 must be specified.



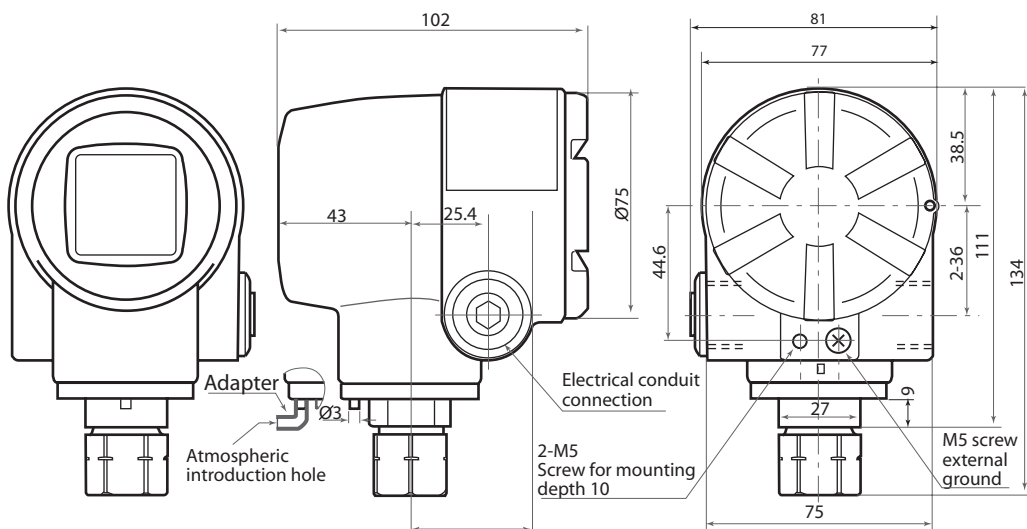
**DIMENSIONS**

**Standard model**

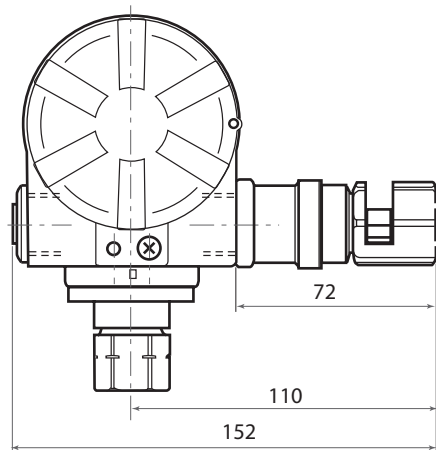
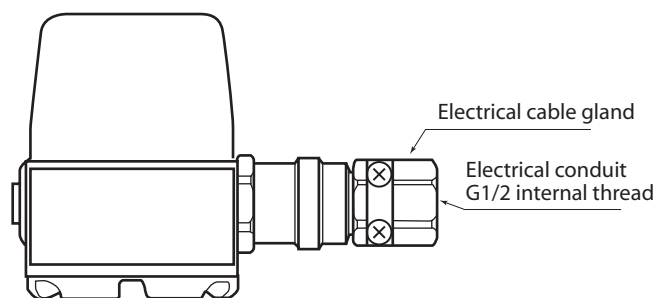
(Unit: mm)



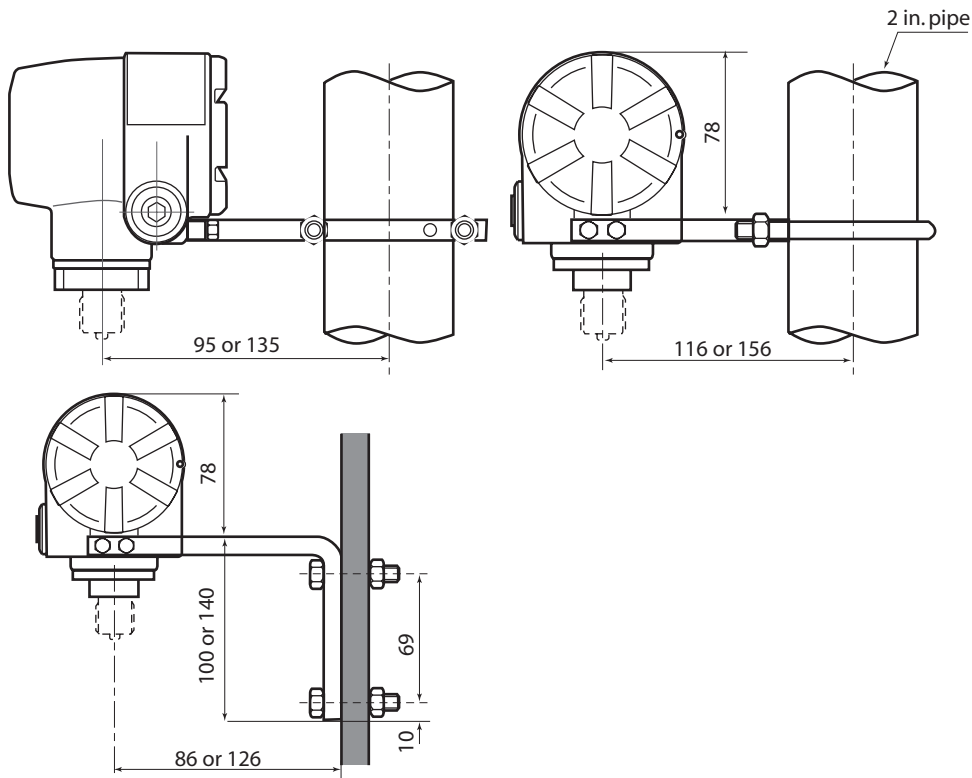
**Terminal connection**  
(M2 Screw)



**Flameproof model**



(Unit: mm)



Please read the "Terms and Conditions" from the following URL before ordering or use:

<http://www.azbil.com/products/bi/order.html>

Specifications are subject to change without notice.

**azbil**

**Azbil Corporation**  
Advanced Automation Company

1-12-2 Kawana, Fujisawa  
Kanagawa 251-8522 Japan  
URL: <http://www.azbil.com/>

1st Edition: Issued in May 2002  
3rd Edition: Issued in July 2012

No part of this publication may be reproduced or duplicated without the prior written permission of Azbil Corporation.