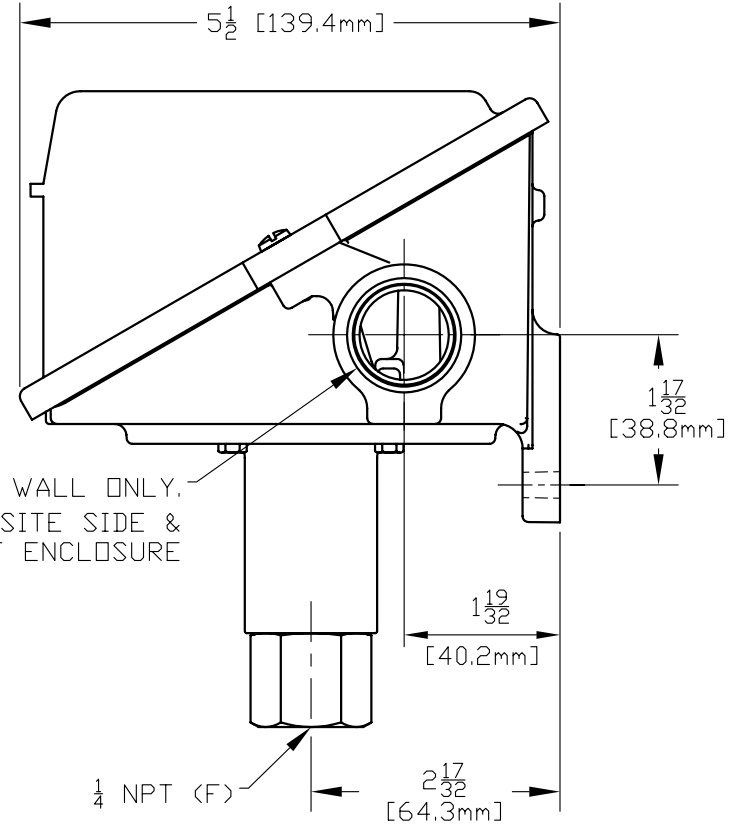
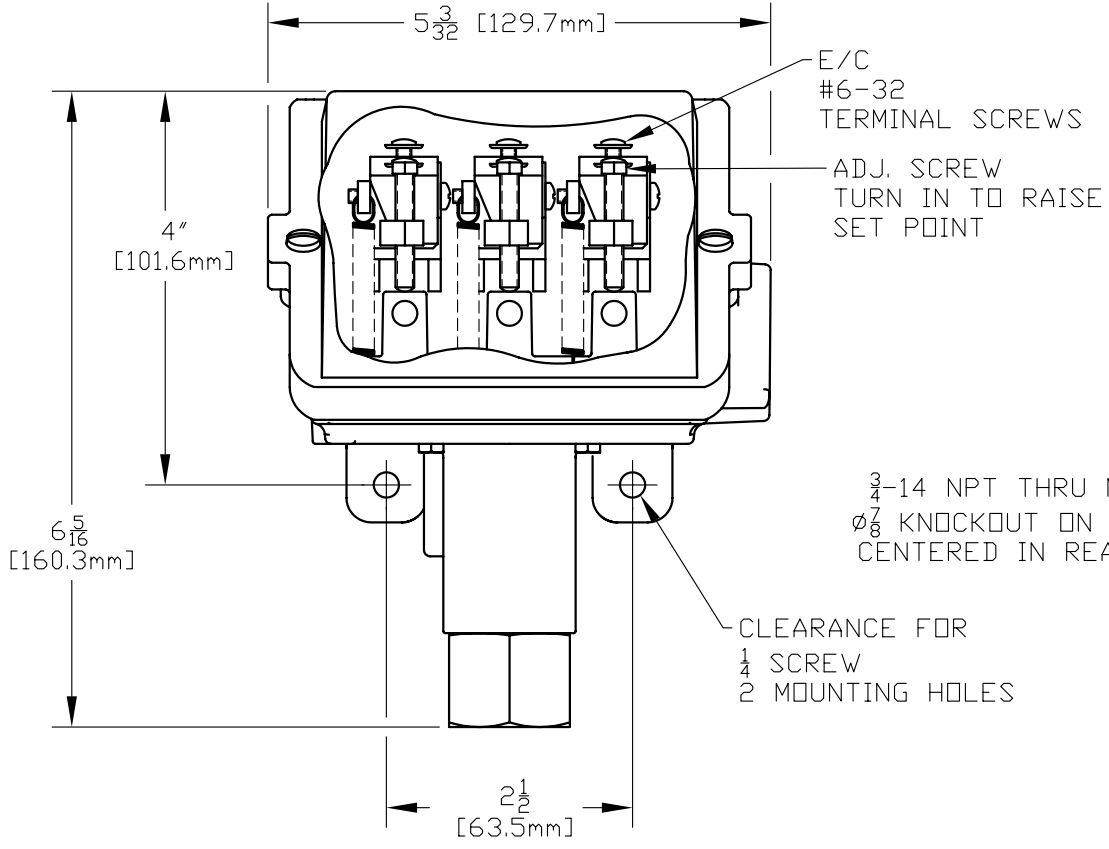


UL RECOGNIZED COMPONENT,  
CSA CERTIFIED, NEMA 4.  
I & M SHEET IMP400.




614	500 to 6000	34.5 to 413.7
612	200 to 3000	13.8 to 206.8
610	100 to 1000	6.9 to 68.9
MODEL NO.	psi	bar
	ADJUSTABLE RANGE	
	LOW END OF RANGE ON FALL	
	HIGH END OF RANGE ON RISE	

SYM	DESCRIPTION	DATE	DWN	APPD
W	DEL. VENT HOLE NOTE. ECN#E1269	6-23-05	S.R.	LK
V	REDRAWN. UPDATED ENCLOSURE. ECN#E0821	6-28-04	S.R.	HN
REVISIONS				

ORIGINAL DATE	11-10-87
DRWN	J. CARTER
CHKD	PETER WEILER
APPD	A. MINASSIAN
UNLESS OTHERWISE SPECIFIED DIMENSIONS ARE IN INCHES	
DO NOT SCALE THIS DRAWING	

TITLE	J403-610, 612 & 614
SCALE	1:2

DF001D



UNITED ELECTRIC CONTROLS COMPANY  
WATERTOWN \* MASSACHUSETTS

DWG NO  
A-12327