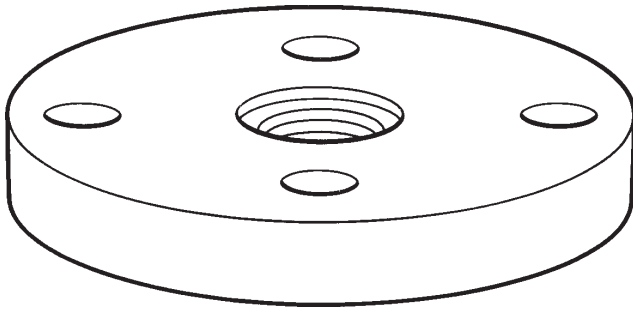




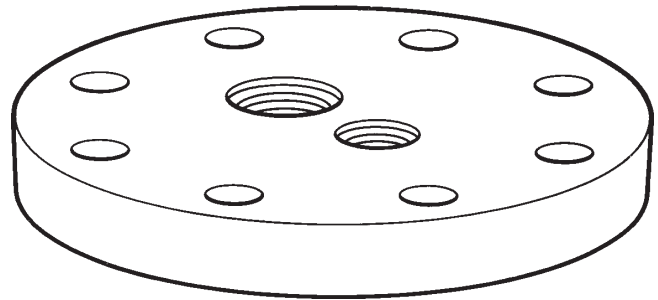
Cert. No. LRQ 0963008

ISO 9001

Probe Flanges for Protection Tubes



Flange for single probe



Flange for double probes

Description

Probe flanges enable Spirax Sarco level/alarm probes to be fitted to protection tubes mounted in the boiler shell. Flanges are tapped and spot-faced to take either one or two probes.

Limiting conditions

For maximum working pressures and temperatures please refer to the relevant flange standard.

Available types

Single probe type:

DN15 to DN100
BS 4504 PN40 or PN16 and BS 10 Table F and H.

Probe tappings available:

1/2" BSP (All flanges)
1" BSP (DN25 to DN100)

Double probe type:

DN100
BS 4504 PN16 or PN40 (PN40 also suits BS 10 Table F and H.)

Probe tappings available:

1/2" + 1/2" BSP
1/2" + 1" BSP
Tapping centres are offset 25 mm from the centre of the flange.

Probe connection	1/2" BSP			
Flange standard	BS 4504		BS 10	
Flange type	PN16	PN40	Table F	Table H
Flange size	Part No.	Part No.	Part No.	Part No.
DN15 (1/2")	4026760	4026760	4026760	4026791
DN20 (3/4")	4026761	4026761	4026761	4026791
DN25 (1")	4026762	4026762	4026792	4026792
DN32 (1 1/4")	4026763	4026763	4026793	4026793
DN40 (1 1/2")	4026764	4026764	4026794	4026794
DN50 (2")	4026765	4026765	4026765	4026765
DN80 (3")	4026767	4026767	4026797	4026797
DN100 (4")	4026769	4026768	4026768	4026768

Probe connection	1/2" + 1/2" BSP			
Flange standard	BS 4504		BS 10	
Flange type	PN16	PN40	Table F	Table H
Flange size	Part No.	Part No.	Part No.	Part No.
DN100 (4")	4026693	4026695	4026695	4026695

Probe connection	1/2" + 1" BSP			
Flange standard	BS 4504		BS 10	
Flange type	PN16	PN40	Table F	Table H
Flange size	Part No.	Part No.	Part No.	Part No.
DN100 (4")	4026694	4026696	4026696	4026696

Material

Flanges to BS 4504:

Carbon steel BS 1501 Pt 1-161 Gr. 360 or
Carbon steel BS 1501 Pt 1-151 Gr. 430A or
Carbon steel ASTM A515 Gr. 55

Flanges to BS 10 Table F and H:

Carbon steel BS 1501-151 Gr. 360 or
Carbon steel BS 1503-161 Gr. A.
or equivalent.

How to order example:

1 off Spirax Sarco DN100 probe flange to the following standard:
BS 4504 PN16 with 1 x 1/2" BSP probe connection. Part No. 4026769.

Probe connection	1" BSP			
Flange standard	BS 4504		BS 10	
Flange type	PN16	PN40	Table F	Table H
Flange size	Part No.	Part No.	Part No.	Part No.
DN15 (1/2")	-	-	-	-
DN20 (3/4")	-	-	-	-
DN25 (1")	4026862	4026862	4026892	4026892
DN32 (1 1/4")	4026863	4026863	4026893	4026893
DN40 (1 1/2")	4026864	4026864	4026894	4026894
DN50 (2")	4026865	4026865	4026865	4026865
DN80 (3")	4026867	4026867	4026897	4026897
DN100 (4")	4026869	4026868	4026868	4026868

