

**SANITARY PROCESS CONNECTION WITH TERMINAL HEAD**

**How to build a part number:**

To order an Applied Sensor Technologies temperature sensor, select the requirements for the categories listed below and fill in the corresponding boxes with your selection. Don't see exactly what you need? Give us a call!

SENSOR TYPE	ASSEMBLY STYLE	CAP SIZE	CAP STYLE	SHEATH DIAMETER	SHEATH MATERIAL	TEMPERATURE RANGE	SHEATH LENGTH	OPTIONS

**SENSOR TYPE** (See page 2-8b for optional elements)

**RTP1** – Platinum; DIN 0.00385; 100 ohm +/- 0.12% @ 0°C; 3-wire construction  
**(For dual element, add prefix "D"- e.g., DRTP1)**

**ASSEMBLY STYLE**

**33** – Sheath with sanitary process connection and white polypropylene head; 3/4" NPT conduit connection; ceramic terminal block; maximum termination temperature 104°C (220°F)

**CAP SIZE**

- A** – 0.50\*                      **E** – 2.00
- B** – 0.75\*                      **F** – 2.50
- C** – 1.00                        **G** – 3.00
- D** – 1.50                        **H** – 4.00

\*Available in cap style C only

**CAP STYLE**

- A** – 16 A Tri Clamp® cap
- C** – 16AMP Tri Clamp® cap

**SHEATH DIAMETER**

- 6** – 3/16 (0.188)
- 7** – 1/4 (0.250)

**SHEATH MATERIAL**

- 3** – 316 stainless steel

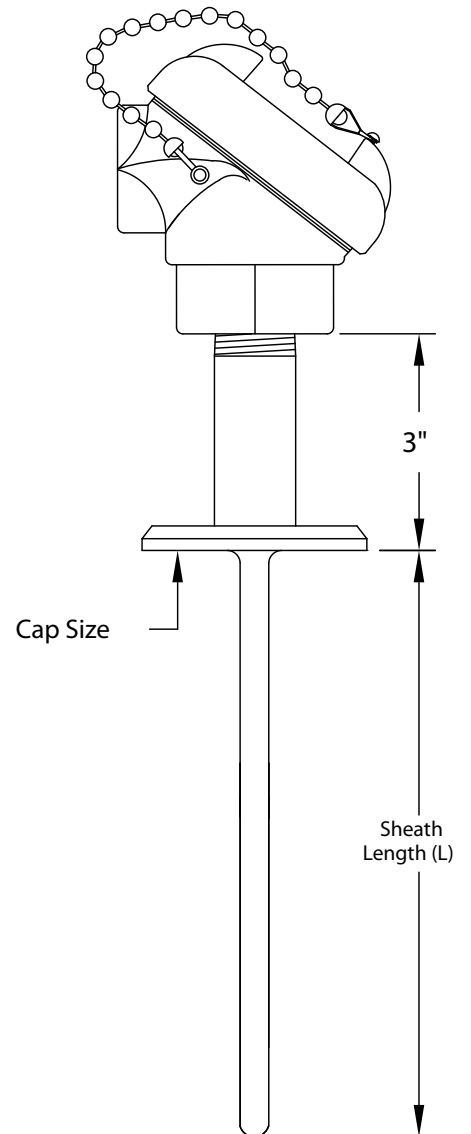
**TEMPERATURE RANGE** - Minimum and maximum operating temperatures

- 1** – -45 to 200°C (-50 to 400°F)

**SHEATH LENGTH** (for lengths greater than L=36", consult AST)

- L#** – (e.g., L6 = 6 inch sheath)

**OPTIONS** – see back page



Tri Clamp® is a registered trademark of Alfa-Laval, Inc.

# STYLE 33

## AVAILABLE OPTIONS and MODIFICATIONS

OPTIONAL ELEMENTS		
RTDs are standardly platinum, 100-ohm, DIN-curve elements with a 0.00385 alpha.		
Option Code	Accuracy (at 0°C)	Construction
RTP1 (std.)	±0.12%	3-wire
RTP1A	<b>±0.06%</b>	3-wire
RTP1AA	<b>±0.01%</b>	3-wire
Notes: 1. For dual element, add prefix "D" (e.g., DRTP1) 2. Additional materials, curves and resistance values are available - see Capabilities brochure.		
ASSEMBLY OPTIONS		
Option Code	Description	
TAG1	Stainless steel tag and wire	
CAL1	NIST traceable calibration [specify point(s)]	
CRT1	Certificate of conformance	
RB10	Replace terminal block with customer supplied part	
RB11	Supply assembly with no terminal block inside head	
WC20	Wiring cable gland for 0.187 - 0.312 diameter cables, for terminal heads with 1/2" NPT conduit connections	
WC21	Wiring cable gland for 0.125 - 0.187 diameter cables, for terminal heads with 1/2" NPT conduit connections	
TRANSMITTERS		
TR11	4-20 mA, 2-wire transmitter, single input, isolated output; specify range, units of measure (e.g., 0-200°C) and head with *.	
TR12	4-20 mA, 2-wire transmitter, single input, non-isolated output; specify range and units of measure (e.g., 0-200°C) and terminal head with *.	
TR13	HART®/ 4-20 mA, 2-wire transmitter, single input, isolated output; specify range and units of measure (e.g., 0-200°C) and terminal head with *.	

NEMA 4 OR 4X TERMINAL HEAD OPTIONS			
Head without ground screw	Head with internal ground screw	Process Connection	Conduit Connection
Cast aluminum, screw cover with chain, NEMA 4 (Formerly Style 67)			
HD10*	HD11 *	1/2"	1/2"
HD12*	HD13 *	1/2"	3/4"
Epoxy-coated aluminum, screw cover with chain, NEMA 4X			
HD50*	HD51 *	1/2"	1/2"
HD52*	HD53 *	1/2"	3/4"
316 stainless steel, screw cover with chain, NEMA 4X			
HD40*	HD41 *	1/2"	3/4"
Black polypropylene, screw cover with chain, NEMA 4			
HD31	N/A	1/2"	3/4"
*can be used with TR11 transmitter			