



Electric Automated Ball Valve Package

Series 77
Sanitary End
3-Piece Ball Valve

Sizes 1/2"-4"

800/1000 PSI WOG (by size)

Available in 316L

Cavity Filled and Non-Cavity Filled

Sanitary Clamp Ends or
Tube OD Ends

Tube Pipe Design

Superior Live Loaded Packing
System

Blowout Proof Stem w/
Dual Anti-Static Devices

PTFE Seats standard

Pyramidal Stem Seal Design

STANDARDS

Design	ANSI/ASME B16.34
End Connections	ANSI/ASME BPE-1997/2000
Pressure Testing	API 598
Mounting	ISO 5211
Marking System for Valves	MSS SP-25, ISO 5209
CE Approval	PED 97/23/EC Module H
Safety Integrity	IEC 61508:2010; SIL 3
Material Certification	EN 10204-3.1 MTR
Quality Assurance	ISO 9001:2008



DIMENSIONS (IN) NON-CAVITY FILLED

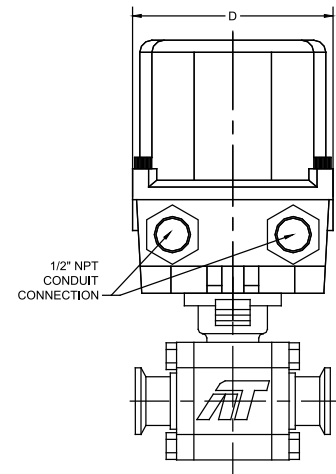
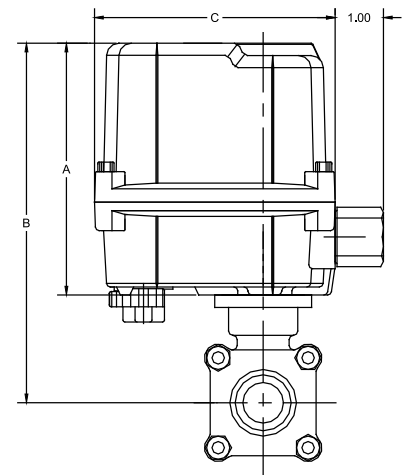
VALVE SIZE	A	B	C	D
1/2"	5.24	6.90	4.94	4.08
3/4"	5.24	7.13	4.94	4.08
1"	5.24	7.47	4.94	4.08
1-1/2"	5.24	8.29	4.94	4.08
2"	9.25	12.60	10.16	6.69
2-1/2"	10.55	14.83	13.31	9.02
3"	10.55	15.18	13.31	9.02
4"	10.55	15.77	13.31	9.02

DIMENSIONS SHOWN ARE FOR ASSEMBLIES SIZED FOR 80 PSI SUPPLY

CAVITY FILLED

VALVE SIZE	A	B	C	D	VALVE Cv
1/2"	5.24	6.90	4.94	4.08	10
3/4"	5.24	7.13	4.94	4.08	30
1"	5.24	7.47	4.94	4.08	65
1-1/2"	5.24	8.29	4.94	4.08	200
2"	9.25	12.60	10.16	6.69	410
2-1/2"	10.55	14.83	13.31	9.02	600
3"	10.55	15.18	13.31	9.02	1,050
4"	10.55	15.77	13.31	9.02	1,900

DIMENSIONS SHOWN ARE FOR ASSEMBLIES SIZED FOR 80 PSI SUPPLY

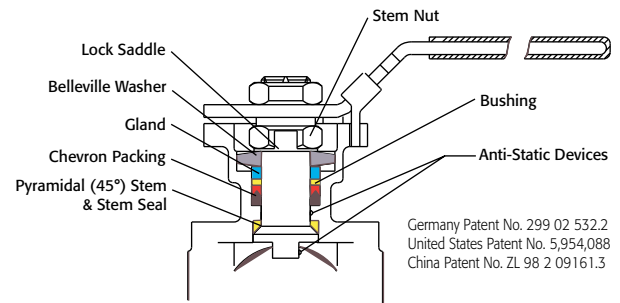


SERIES 77 Sanitary Ends

NON-CAVITY FILLED

SIZE	MODEL
1/2"	77-C1-050/WEA1-XX
3/4"	77-C1-075/WEA1-XX
1"	77-C1-100/WEA1-XX
1-1/2"	77-C1-150/WEA1-XX
2"	77-C1-200/WEB1-XX
2-1/2"	77-C1-250/WEC1-XX
3"	77-C1-300/WEC1-XX
4"	77-C1-400/WED1-XX

SIZE	MODEL
1/2"	77-C1-050/WEA2-XX
3/4"	77-C1-075/WEA2-XX
1"	77-C1-100/WEA2-XX
1-1/2"	77-C1-150/WEA2-XX
2"	77-C1-200/WEB2-XX
2-1/2"	77-C1-250/WEC2-XX
3"	77-C1-300/WEC2-XX
4"	77-C1-400/WED2-XX



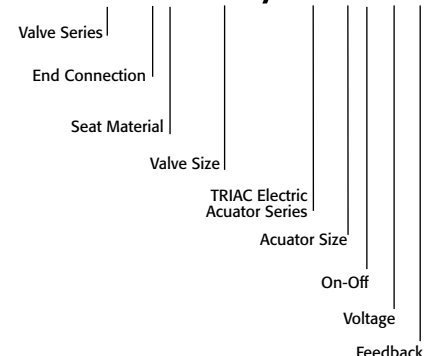
Germany Patent No. 299 02 532.2
United States Patent No. 5,954,088
China Patent No. ZL 98 2 09161.3

CAVITY FILLED

SIZE	MODEL
1/2"	77-CF-050/WEA1-XX
3/4"	77-CF-075/WEA1-XX
1"	77-CF-100/WEA1-XX
1-1/2"	77-CF-150/WEB1-XX
2"	77-CF-200/WEC1-XX
2-1/2"	77-CF-250/WED1-XX
3"	77-CF-300/WEE1-XX
4"	77-CF-400/WEE1-XX

SIZE	MODEL
1/2"	77-CF-050/WEA2-XX
3/4"	77-CF-075/WEA2-XX
1"	77-CF-100/WEA2-XX
1-1/2"	77-CF-150/WEB2-XX
2"	77-CF-200/WEC2-XX
2-1/2"	77-CF-250/WED2-XX
3"	77-CF-300/WEE2-XX
4"	77-CF-400/WEE2-XX

SAMPLE PART # 77-C1-050/WEA1-XX



OPTIONS
DESCRIPTION
24 VAC/24 VDC/220VAC
Feedback potentiometer

NOTE: Heater and thermostat standard (2) auxiliary switches standard
Other options available - call for details
Actuators are sized based on clean/clear fluid.

77EL-20160112
Copyright 2013 A-T Controls, Inc.



9955 International Blvd. PHONE (513) 247-5465
Cincinnati, Ohio 45246 FAX (513) 247-5462
www.atcontrols.com sales@atcontrols.com

Valve Options

Various Seat Materials

PTFE, RTFE, 50/50 STFE, 25% CTFE, Delrin, PEEK, UHMWPE, TFM-1600

Operator Options

Quarter-turn Gear Operators
Spring Return "Deadman" Handles
Oval handles, TEE Handles

Specials and Solutions

Steam Jackets
Stem Extensions
V-ported Control Valves
Multi-port Valve Solutions
Fugitive Emissions Bonnets (TSM's)
Oxygen Cleaning
Lockout Brackets
Vented Balls
"No Play" Mounting Kits

• FM Approved Valves and Assemblies



Manual and automated valve assemblies for gas burner management applications and safety shutoff

Other Products

Special Seats Balls and Seal Designs



Steam Jacketed Valves



Floor Mounted Damper Drives



Limit Switches Mounted on Manual Valves



Fusible Link Assemblies



180° Actuators



Lockout Mounting Kits



Stem Extensions



Special Multi-Port Valves



Dual Valve Assemblies

