

SystempaK (Digital/Single Case) Millivolt Conversion Module Model J-SMP 90/95

Introduction

The Millivolt Conversion Module (J-SMP) is a signal conversion module housed in a single case and accepts a DC millivolt input, and converts it into a 1 to 5V DC or 4 to 20 mA DC signal.

The J-SMP Module is available for one-output (J-SMP 90) or two-output (J-SMP 95) model.

The J-SMP provides a linearization function as a standard, which employs up to 101 linearization points to allow a linear output. With the filter function for input and output, the Millivolt Conversion Module can convert signals stably in response to the application.

The range, linearization function, filter function changes, and other such setting changes are easily done with the dedicated Loader Software, which operates on a general-purpose PC. Complete isolation is employed between the power, input, and output circuits. In the two-output model, isolation is also employed between the two output circuits.

Specification

- Input signal: DC millivolt \pm mV DC
- Span: \pm 100 mV DC rating, \pm 120% range
- Burnout signal: Upscale or Downscale (Specify when ordering.)
- Burnout response: Within 30 sec
- Output signal:
 - No. 1 output; 1 to 5V DC or 4 to 20 mA DC
 - No. 2 output; 1 to 5V DC (Between No. 1 and No. 2 outputs is isolated.)
 - Edge connector output; 1 to 5V DC (No. 1 output must be 1 to 5V DC when connecting the signal with the A-MC I/O cable.)
- Output impedance: Voltage output; 250 Ω or less, Current output; 250 k Ω or more
- Output range: -20 to +120%FS
- Allowable load resistance: 0 to 600 Ω (Current output: Up to +110%)
- Output update interval: 5 msec (Output hardware filtering, 0 to 90% response, 50 msec)
- Input/output response:
 - Minimum of 160 msec, 0 to 90% response (When moving average and 0.1-sec first-order lag filtering are not used)
- Accuracy:

Input span	Both output Nos. 1 and 2
10 mV or more	\pm 0.15%FS
Less than 10 mV	\pm 0.15% \times Measurement full-scale setting value [mV] / Set span width [mV]

- Insulation resistance: 500V DC, 100 M Ω min (Mutual between input - output - GND - power terminal)
- Withstand voltage: 1000V AC, 1 minute (Mutual between input - output - GND - power terminal)
- Power supply: 24V DC $^{+10}_{-15}$ %
- Current consumption: 130 mA or less (at 24V DC)



- Ambient temperature:
 - Normal operating condition; 5 to 45 $^{\circ}$ C
 - Operation limit; 0 to 50 $^{\circ}$ C
- Ambient humidity: 0 to 90%RH (No condensation allowed)
- Mounting: Panel, wall, DIN rail attachment
- Front mask color: Black
- Weight: 400 g
- Operating influence:
 - Supply voltage effect; \pm 0.1%FS/24V DC $^{+10}_{-15}$ %
 - Temperature effect;
 - Span 10 mV or more ... \pm 0.15%FS/10 $^{\circ}$ C
 - Span less than 10 mV ...
 - $\pm \frac{0.15 \times \text{Measurement full-scale setting value [mV]}}{\text{Set span width [mV]}} \% \text{FS} / 10^{\circ}\text{C}$
- Loader settings:
 - Module ID; 16 one-byte characters, 8 two-byte kanji characters
 - Input range; Lo and Hi setting values
 - Linearization table; 101 points
 - Input filtering; Unavailable/available (Moving averaging)
 - Zero-span adjustment; Adjustable between -20 and +120%FS
 - First-order lag filtering; Without/with (0 to 20.0 sec, 63% response time)

Note: Burnout (Upscale, Downscale) is specified by hardware. Please specify it when ordering.
It will be set to Upscale unless otherwise specified.

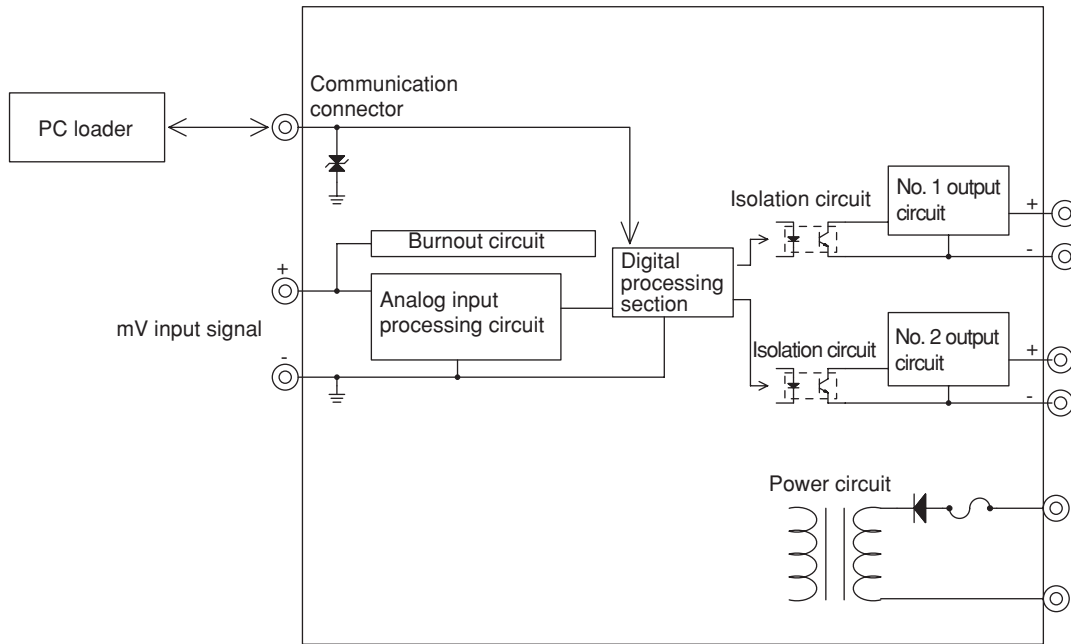


Figure 1. Functional block diagram of millivolt conversion module

Model Number Table

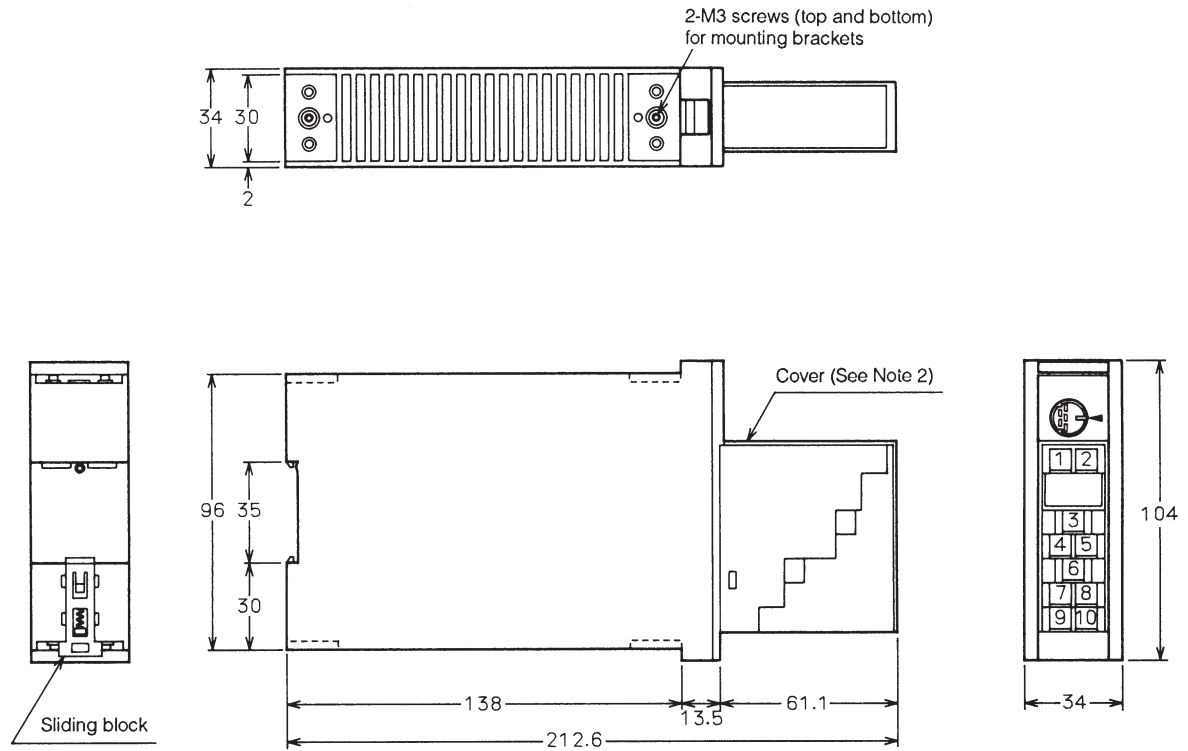
One-output model

Basic Model Number		Selections		Additions	Description
		I	II	I	
J-SMP90					Millivolt conversion module (1-output)
	X				No varnish coated
	C				Varnish coated
		-0			Input mV input
			1		Output 1 to 5V DC
			2		Output 4 to 20 mA DC
				-0	Without test report
				-1	With test report

Two-output model

Basic Model Number		Selections		Additions	Description
		I	II	I	
J-SMP95					Millivolt conversion module (2-output)
	X				No varnish coated
	C				Varnish coated
		-0			Input: mV input
			1		No. 1 output 1 to 5V DC, No. 2 output 1 to 5V DC
			2		No. 1 output 4 to 20 mA DC, No. 2 output 1 to 5V DC
				-0	Without test report
				-1	With test report

Example: J-SMP90X-01-0



No.	Description
1	_____
2	Input (-)
3	Input (+)
4	No.1 output (+)
5	No.1 output (-)
6	No.2 output (+) (Note 1)
7	No.2 output (-) (Note 1)
8	24V (PS +)
9	GND
10	0V (PS -)

- Notes: 1) For two-output model.
 2) Operate the Module with a cover.
 3) Terminal screws: M3.5
 4) Use the pressured terminals with insulation sheath.

Figure 2. Dimensions and wiring diagram

When ordering, please specify:

- 1) Tag number
- 2) Input range* [Set to 0 to 100 mV by default]
- 3) Burnout (Upscale, Downscale) [Set to Upscale by default]

The following are also set by default:

- a) Input filtering: Moving average available
- b) First-order lag filtering: Available, 0.1 sec

* Use the quick list below when specifying the range. Ranges other than those below are also accepted.

Code No.	Input range
01	0 to 5 mV
02	0 to 10 mV
03	0 to 20 mV
04	0 to 50 mV
05	0 to 100 mV

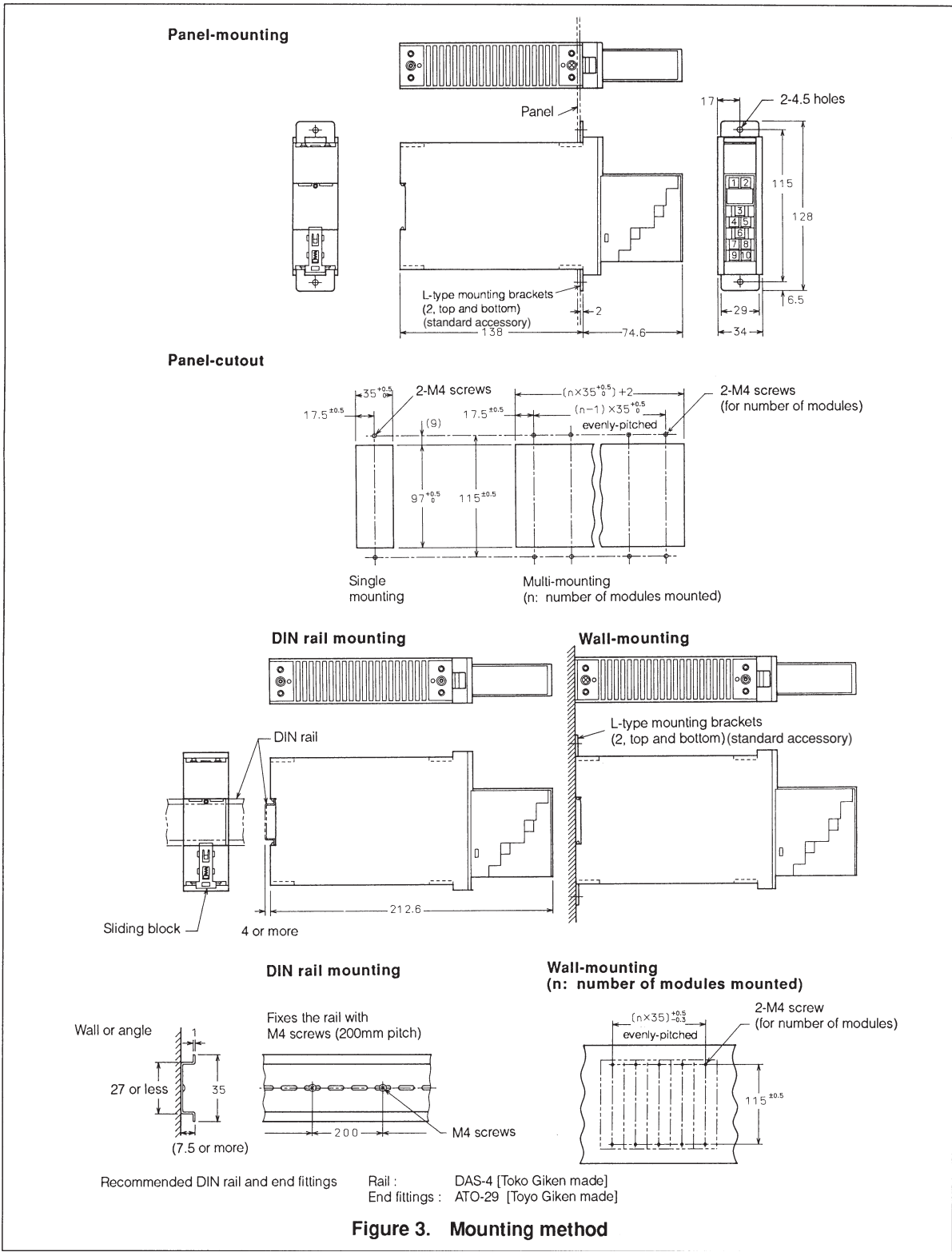


Figure 3. Mounting method

Please read the "Terms and Conditions" from the following URL before ordering or use:
<http://www.azbil.com/products/bi/order.html>



Specifications are subject to change without notice.

Azbil Corporation
 Advanced Automation Company
 1-12-2 Kawana, Fujisawa
 Kanagawa 251-8522 Japan
 URL: <http://www.azbil.com/>

2nd edition: Jan. 2013
 No part of this publication may be reproduced or duplicated without the prior written permission of Azbil Corporation.