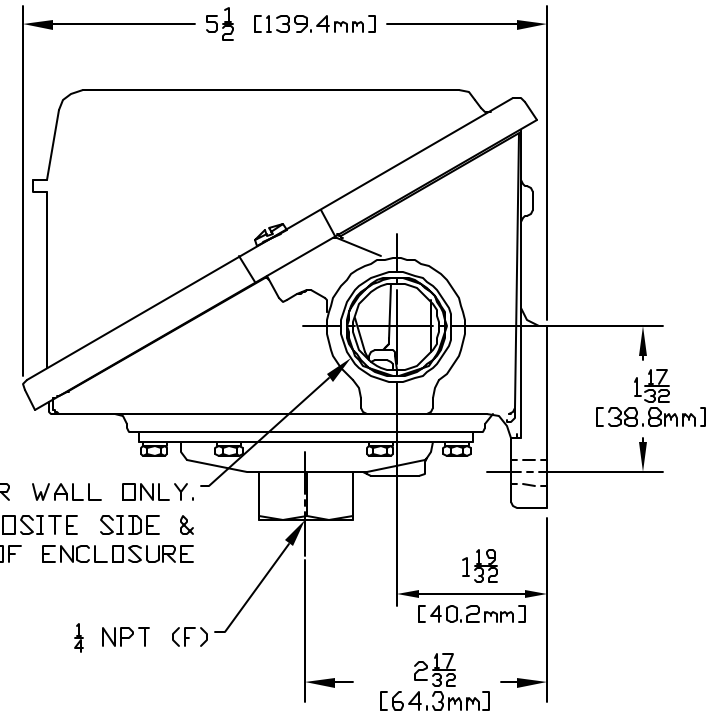
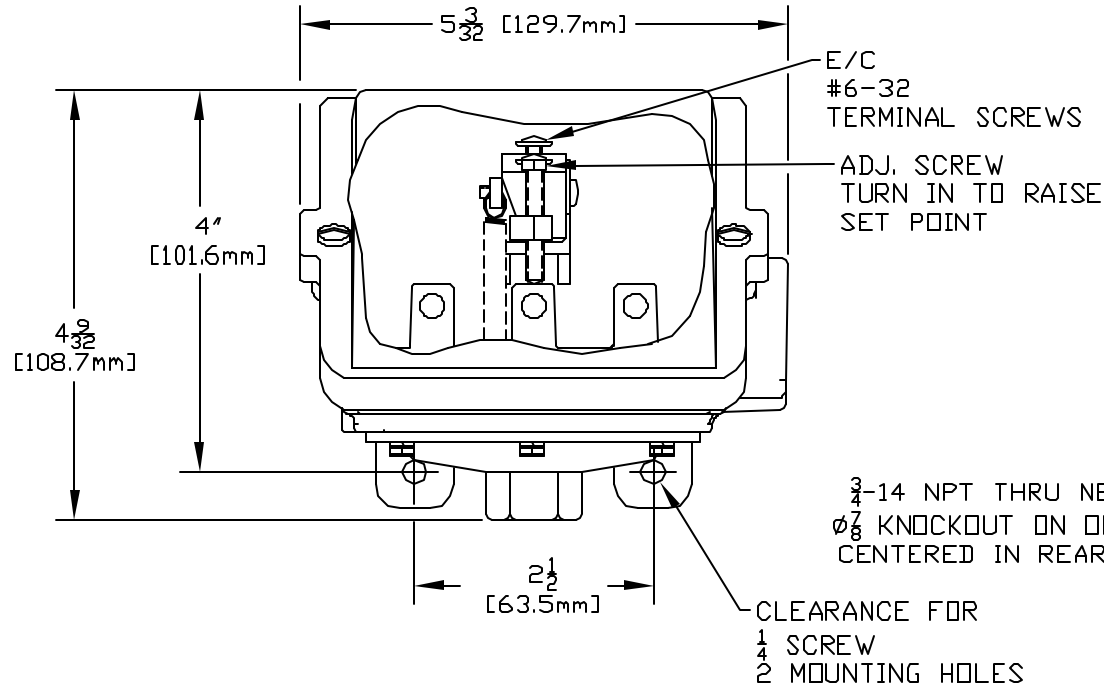


UL LISTED, CSA CERTIFIED, NEMA 4.  
I & M SHEET IMP400.




443	0 to 80'wc	0 to 199.1
442	0 to 20'wc	0 to 49.8
441	0 to 10'wc	0 to 24.9
440	0 to 2'wc	0 to 5.0
MODEL NO.	psi	mbar
	ADJUSTABLE RANGE	
	LOW END OF RANGE ON FALL	
	HIGH END OF RANGE ON RISE	

U	REDRAWN, UPDATED ENCLOSURE. ECN#E0821	6-28-04	S.R.	HN
SYM	DESCRIPTION	DATE	DWN	APPD
REVISIONS				

ORIGINAL DATE	5-22-87
DRWN	A. EBALD
CHKD	P. WEILER
APPD	A. MINASSIAN
UNLESS OTHERWISE SPECIFIED DIMENSIONS ARE IN INCHES	
DO NOT SCALE THIS DRAWING	

TITLE	J400- 440 TO 443
SCALE	1:2

DF001D



UNITED ELECTRIC  
CONTROLS COMPANY  
WATERTOWN \* MASSACHUSETTS

DWG NO  
A-12304