



Electric

Automated Ball Valve Package

Series 24
Firesafe
High Pressure 2-Piece Design

Sizes 1/4" – 2"

Full Port 1/4" – 1-1/2" Regular Port 2"

Available in 316SS

Direct Mount

3000 psi WOG

High Cycle Design

Pyramidal Stem Seal Packing System

Compliant to NACE MR0175

Blowout Proof Stem

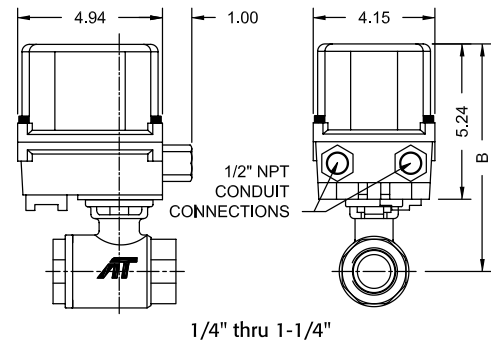
Delrin® Seats Standard

STANDARDS

Design	ANSI/ASME B16.34, Firesafe design
End Connections	ANSI/ASME B16.25, B1.20.1
Pressure Testing	API 598
Sulfide Stress Protection	NACE MR0175
Mounting	ISO 5211
Marking System for Valves	MSS SP-25, MSS SP-72, ISO 5209
Material Certification	EN 10204-3.1 MTR
Quality Assurance	ISO 9001:2008



Direct Mount

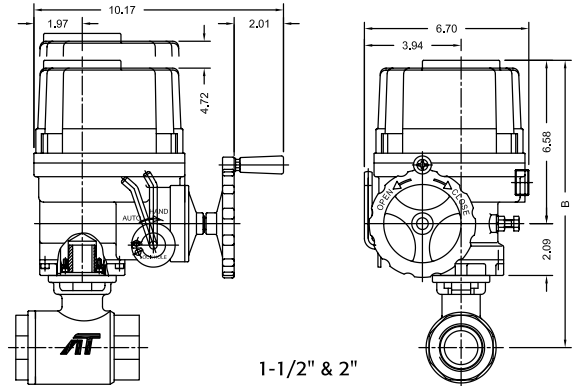


1/4" thru 1-1/4"

ELECTRIC ON/OFF SERIES

VALVE SIZE	B	VALVE Cv
1/4"	6.85	7
3/8"	6.85	8
1/2"	6.85	15
3/4"	6.96	35
1"	7.35	50
1-1/4"	7.56	95
1-1/2"	11.62	180
2"	11.62	210

FOR SPECIALS, CONSULT FACTORY

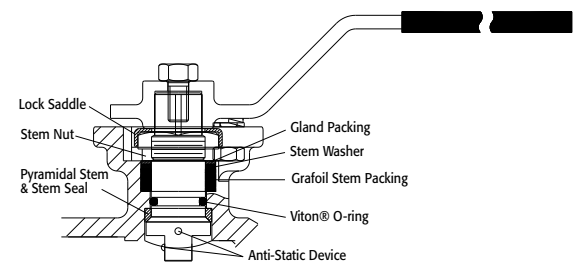


1-1/2" & 2"

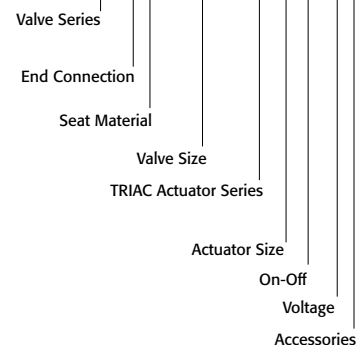
SERIES 24 Direct Mount

ON-OFF	
SIZE	MODEL
1/4"	24-TD-025/WEA1-XX
3/8"	24-TD-038/WEA1-XX
1/2"	24-TD-050/WEA1-XX
3/4"	24-TD-075/WEA1-XX
1"	24-TD-100/WEA1-XX
1-1/4"	24-TD-125/WEA1-XX
1-1/2"	24-TD-150/WEB1-XX
2"	24-TD-200/WEB1-XX

MODULATING	
SIZE	MODEL
1/4"	24-TD-025/WEA2-XX
3/8"	24-TD-038/WEA2-XX
1/2"	24-TD-050/WEA2-XX
3/4"	24-TD-075/WEA2-XX
1"	24-TD-100/WEA2-XX
1-1/4"	24-TD-125/WEA2-XX
1-1/2"	24-TD-150/WEB2-XX
2"	24-TD-200/WEB2-XX



SAMPLE PART #
24-TD-050/WEA1-XX



See valve part number matrix for complete part number and options.

OPTIONS

DESCRIPTION
24 VAC/24 VDC/220VAC
Feedback potentiometer

NOTE: Heater and thermostat standard
(2) auxiliary switches standard
Other options available - call for details
Actuators are sized based on clean/clear fluid.

Viton® is a registered trademark of E.I. DuPont de Nemours.
Delrin® is a registered trademark of DuPont Performance Polymers.

24EL-20151120
Copyright 2013 A-T Controls, Inc.



9955 International Blvd.
Cincinnati, Ohio 45246
www.atcontrols.com
PHONE (513) 247-5465
FAX (513) 247-5462
sales@atcontrols.com

Valve Options

Various Seat Materials

PTFE, RTFE, 50/50 STFE, 25% CTFE, Delrin, PEEK, UHMWPE, TFM-1600

Operator Options

Quarter-turn Gear Operators
Spring Return "Deadman" Handles
Oval handles, TEE Handles

Specials and Solutions

Steam Jackets
Stem Extensions
V-ported Control Valves
Multi-port Valve Solutions
Fugitive Emissions Bonnets (TSM's)
Oxygen Cleaning
Lockout Brackets
Vented Balls
"No Play" Mounting Kits

• FM Approved Valves and Assemblies



Manual and automated valve assemblies for gas burner management applications and safety shutoff

Other Products

Special Seats Balls and Seal Designs



Steam Jacketed Valves



Floor Mounted Damper Drives



Limit Switches Mounted on Manual Valves



Fusible Link Assemblies



180° Actuators



Lockout Mounting Kits



Stem Extensions



Special Multi-Port Valves



Dual Valve Assemblies

