

### Features

- Compact spool valve convertible from 3/2 to 5/2
- NAMUR mount construction
- Standard manual operator
- DIN and Explosionproof solenoids available
- Single and dual solenoid constructions
- Mountable in any position
- Vents air from spring side of actuator to prevent corrosion of actuator

### Construction

Valve Parts in Contact with Fluids	
Body	Black Anodized Aluminum
Spring	Phosphate treated black steel
Shading Coil	Copper
Seals	NBR + PUR
Core and Core Tube	Stainless Steel / Brass
End Covers and Plate	6/6 glass filled PA/FV
Spool	Aluminum
Internal Parts	Zamak, Steel, CA

### Electrical

Standard Coil and Class of Insulation	Enclosure Type	Watt Rating and Power Consumption				Spare Coil Part Number	
		DC Watts	AC Watts	VA Holding	VA Inrush	AC	DC
F	4N	3	2.5	3.5	6	400125	400125
F	4N	6.9	5	7	15	43004649	43004647
F	7N	6.9	6.3	7	10.1	266762	270007
TVC6-xxxx-4N 24, 120, 240 Volts AC, 50-60 Hz; 12, 24, 120 Volts DC.						Standard Voltages:	
TVC6-xxxx-7N 24/50-60HZ, (120/60, 110-120/50) ①, (240/60, 220-240/50)② Volts AC; 6, 12, 24, 120 Volts DC. ① Order as 120/60, 110/50 ② Order as 240/60, 220/50							

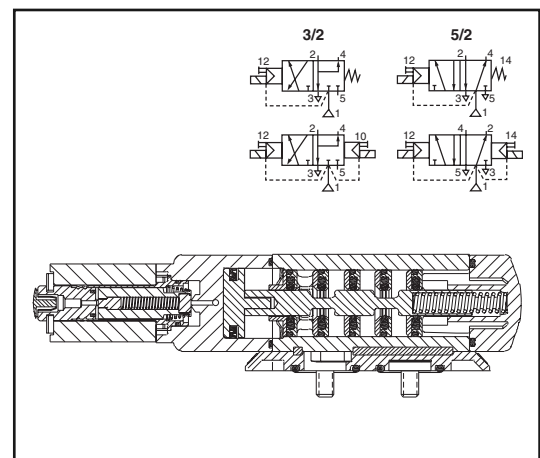
### Solenoid Enclosures

Standard: - Prefix

TVC6-xxxx-4N = IP65 type DIN (open frame) per 46244

TVC6-xxxx-7N

= Combination Explosionproof and Watertight Types 3, 3S, 4, 4X, 6, 5P, 7, 9 Class I, Div. 1 (Groups A - D) and Class II, Div. 1 Type 9 (Groups E-G)



### Nominal Ambient Temp. Ranges

TVC6-xxxx-4N AC/DC: 5°F to +140°F (-15°C to 60°C)

TVC6-xxxx-7N AC: 5°F to +140°F (-15°C to 60°C)  
DC: 5°F to +125°F (-15°C to 52°C)

Note: For temperatures below 32°F (0°C) moisture-free air must be used.

### Approvals

TVC6-xxxx-4N  
(2.5W and 3W only) UL recognized component, CSA certified.

TVC6-xxxx-7N  
UL and CSA solenoid approval.  
Meets applicable CE directives.

Specifications (English units)

Pipe Size (ins.)	Orifice Size (ins.)	Cv Flow Factor	Operating Pressure Differential (psi)		Fluid Temperature °F (for single and dual solenoid)			Single Solenoid	Dual Solenoid	Const. Ref.	Watt Rating/ Class of Coil Insulation	
			Min.	Max.	Min.	Max. AC	Max. DC	Catalog Number	Catalog Number		AC	DC
OPEN FRAME DIN COIL												
1/4 ①	1/4	.86	30	150	5	140	140	TVC6-X411-4N	TVC6-X421-4N	1	2.5	3
EXPLOSIONPROOF ENCLOSURE												
1/4 ①	1/4	.86	30	150	5	104	125	TVC6-X411-7N	TVC6-X421-7N	1	6.3	6.9

① 1/8 inch NPT exhausts.

Specifications (Metric units)

Pipe Size (ins.)	Orifice Size (mm)	Kv Flow Factor (m3/h)	Operating Pressure Differential (bar)		Fluid Temperature °C (for single and dual solenoid)			Single Solenoid	Dual Solenoid	Const. Ref.	Watt Rating/ Class of Coil Insulation	
			Min.	Max.	Min.	Max. AC	Max. DC	Catalog Number	Catalog Number		AC	DC
OPEN FRAME DIN COIL												
1/4 ①	6.4	.7	2	10	-15	60	60	TVC6-X411-4N	TVC6-X421-4N	1	2.5	3
EXPLOSIONPROOF ENCLOSURE												
1/4 ①	6.4	.7	2	10	-15	40	52	TVC6-X411-7N	TVC6-X421-7N	1	6.3	6.9

① 1/8 inch NPT exhausts.

Dimensions inches (mm)

Series	TVC6
NPT	1/4
L1	5.47 (139)
L2	7.56 (192)
H1	1.30 (33)
W	1.77 (45)

NOTE: Valve shown with CM22 DIN terminal coil and connector. Connector sold separately.

