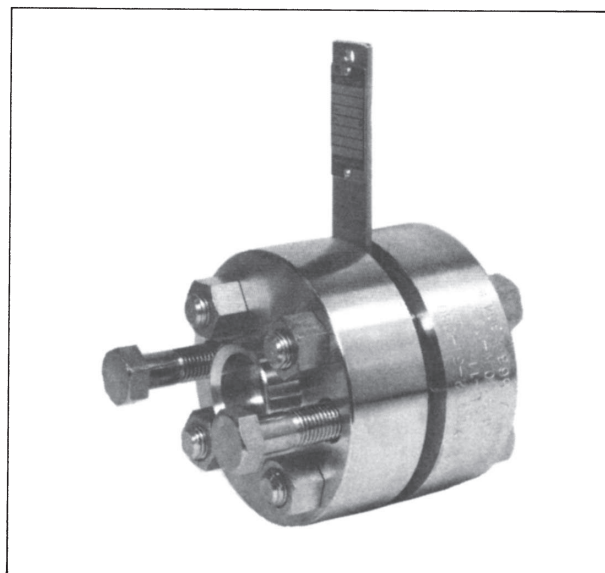


# Small-Diameter Orifice Flange Assemblies

## Model NOS

The orifice assemblies for smaller diameters than those specified by JIS or other standards. These orifice assemblies are used when the measured flow is small and is exceeding the applicable limit of the integral orifice. These flanges are available in the regular-edge concentric bore type with corner taps and in the quadrant-edge concentric bore type with flange taps.



### Standard Specifications

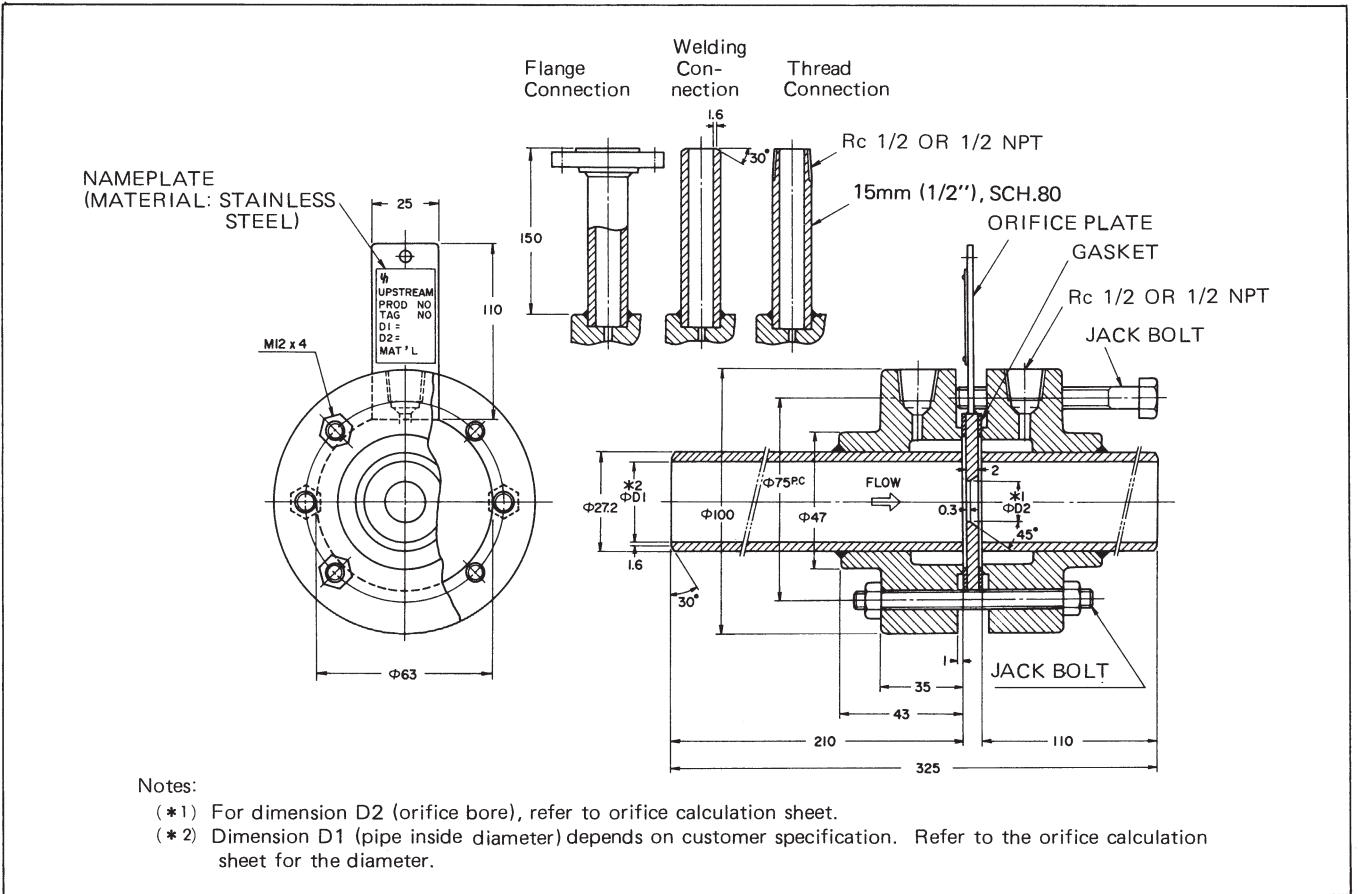
Item	Nominal dia.		
	20 mm (3/4")	25 mm (1")	25 mm (1")
Type of orifice bore	Regular-edge concentric bore		Quadrant-edge concentric
Tapping system	Corner taps		Flange taps
Calculation reference	ASME		Shell Flow Meter Engineering Handbook 1968
$\beta$ : Diameter ratio for restriction	0.20 to 0.70		0.25 to 0.60
Flange specification	JIS 20 kgf/cm <sup>2</sup> equivalent with short pipe	JIS 20 kgf/cm <sup>2</sup> equivalent	
Flange material	SF45A, SUSF304, SUSF316		
Short-pipe material	20 mm SGP 20 mm STPG38 Sch. 40, 80 20 mm SUS304TP } Sch.10S, 20 mm SUS316TP } 20S, 40		
Materials of bolts and nuts	Through-bolts: SNB7, SUS304 Nuts: S45C, SUS304 Jack bolts: S25C, SUS304		
Gasket material	Manufacturer's Type No.: V-1501 AC or T-1100 S (Thickness: 1.5 mm)		
Piping connection system	Butt weld type	Socket weld type	
Differential pressure connection	<ul style="list-style-type: none"> <li>• Rc 1/2 internal thread, 1/2 NPT internal thread</li> <li>• With nipple (Rc end, 1/2 NPT external thread, with end bevel)</li> <li>• With nipple flange (15 mm, JIS 20 kgf/cm<sup>2</sup>)</li> </ul>		
Plate material	SUS304, SUS316		
Plate thickness	2 mm		2, 3, 5 mm

# Model Number Table

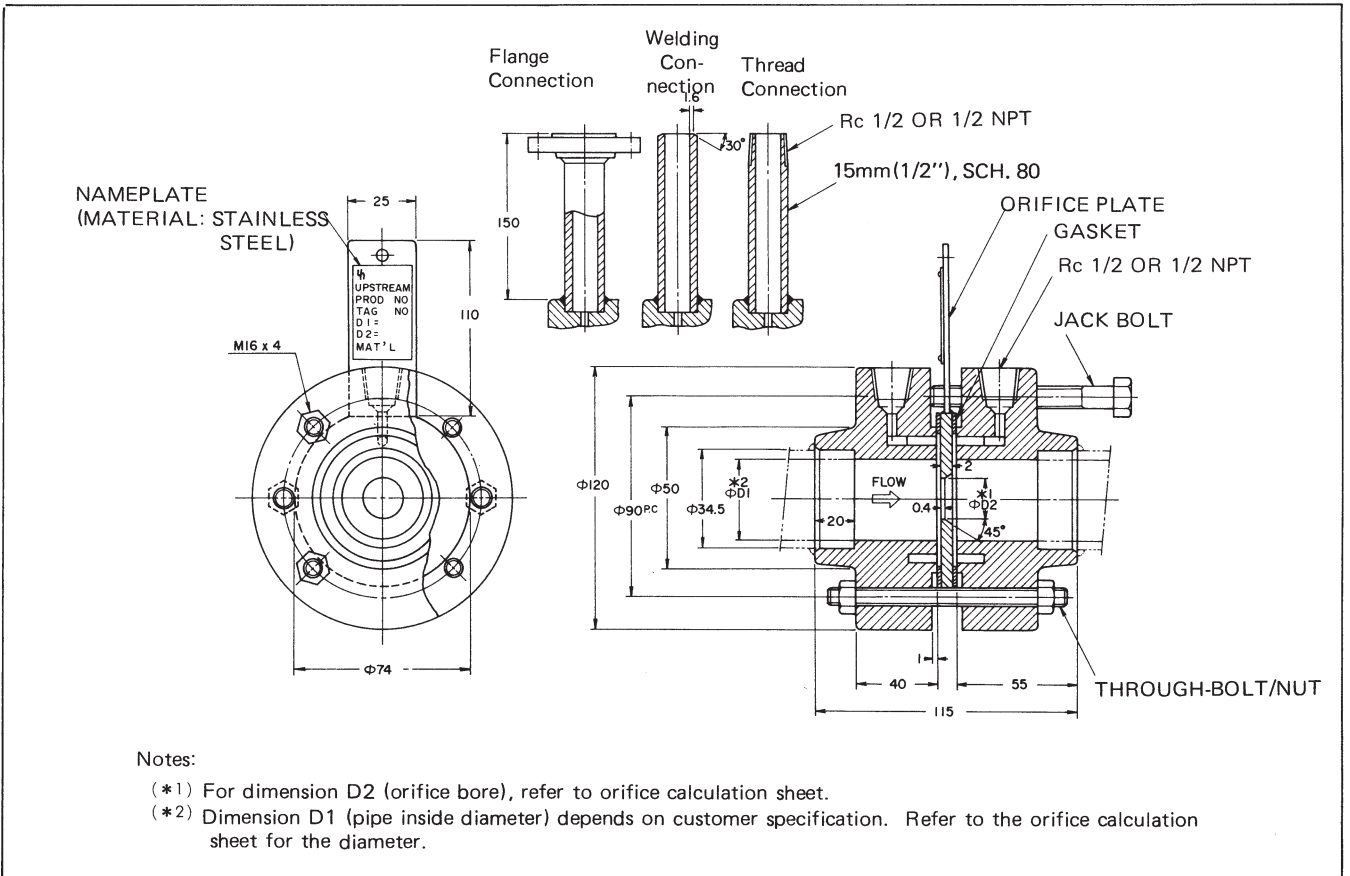
Basic Model No.	Selectable specifications							Auxiliary specifications (Orifice plate)					Description		
	I	II	III	IV	V	VI	VII	VIII	IX	X	XI				
	Specifi- cation	Pressure rating	Nominal pipe diameter	Flange material	Short- pipe material	Diff. press. piping connection	Bolt/nut material	Type of orifice bore	Tapping system	Available range	Material	Plate thickness		Available range	
NOS														Small-dia. flange assembly	
	-J	020												JIS 20K RF equivalent	
		020 (20mm)	1 (SF45A)	1						○				20 mm SGP	
				2							○				20 mm STPG38 Sch. 40
				3							○				20 mm STPG38 Sch. 80
			2 (SUS F316)	4						○					20 mm SUS316TP Sch. 10S
				5						○					20 mm SUS316TP Sch. 20S
				6						○					20 mm SUS316TP Sch. 40
			7 (SUS F304)	7						○					20 mm SUS304TP Sch. 10S
				8						○					20 mm SUS304TP Sch. 20S
				9						○					20 mm SUS304TP Sch. 40
		025 (25mm)	1	0					○	○				25 mm, no short-pipe	
			2	0					○	○				25 mm, no short-pipe	
			7	0					○	○				25 mm, no short-pipe	
					A									Rc 1/2 internal thread	
					B									1/2 NPT internal thread	
					C									Nipple with Rc 1/2 external thread	
					D									Nipple with 1/2 NPT external thread	
					E									Nipple with bevel	
					F									With nipple flange	
						1								Bolts SNB7, nuts S45C	
						2								Bolts SUS304, nuts SUS304	
							-C	5	↓			○		Regular-edge concentric bore, corner taps	
							-Q	2	↓			○	○	Quadrant-edge concentric bore, flange taps	
										2				SUS316	
										7				SUS304	
											02	↓	↓	2 mm	
											03	↓	↓	3 mm	
											05	↓	↓	5 mm	

## Dimension Drawings

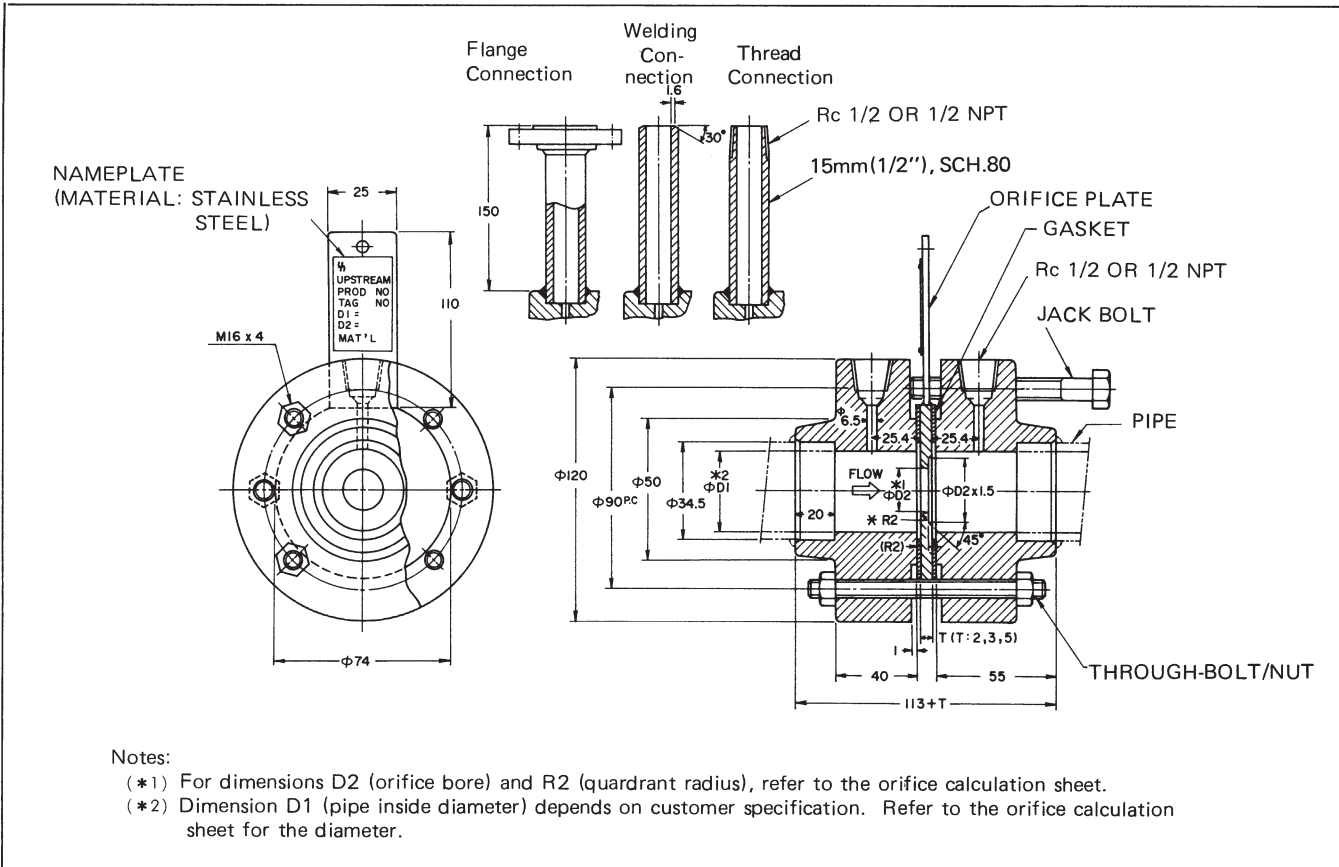
### For Corner Taps with Short Pipe [20 mm (3/4'')]



### For Corner Taps [25mm(1'')]



# For Flange Taps [25mm(1'')]



Please read the "Terms and Conditions" from the following URL before ordering or use:  
<http://www.azbil.com/products/bi/order.html>

Specifications are subject to change without notice.

**Azbil Corporation**  
Advanced Automation Company

1-12-2 Kawana, Fujisawa  
Kanagawa 251-8522 Japan  
URL: <http://www.azbil.com/>