



Type 7200BP Precision Back Pressure Regulator

For applications that require high relief capacity

The Type 7200BP Back Pressure Regulator is a high flow, highly accurate and repeatable pneumatic relief valve with an adjustable set point. It is a normally closed valve that will remain closed until the pressure at the inlet exceeds the regulator's set point. When pressure does exceed the regulator's setpoint, the valve will open and vent air until the pressure decreases to below the setpoint. A typical application is to provide protection against over pressurization in the downstream portion of a pneumatic system. In an over pressurization scenario, the air flowing through the 7200BP can be vented to atmosphere or could be captured and directed to trigger an emergency shut-off valve.

Features

- 1/4", 1/2", or 3/4" NPT Porting
- Two 1/4" NPT Gauge Ports
- Large Relief Valve
Allows flows up to 350 scfm.
- Sensitive
Reacts to pressure deviations to within 1/2" water column pressure.
- Stable Performance
Isolated control chamber prevents hunting and vibration during flow conditions.

Specifications

Maximum Flow Coefficients (Cv)	Port 3/4"	7.5
	1/2"	6.2
	1/4"	4.6
Exhaust Capacity	Depends on port size. See flow curves	
Sensitivity	Less than 1/2" water	
System Pressure	250 psig (17.5 bar) Maximum	
Operating Temperature	-40°F to 200°F (-40°C to 93°C)	
Weight	2.5 lbs (1.13kg)	
Mounting	Pipe, panel, or bracket	
Port Sizes	In/Out: 1/4", 1/2", or 3/4" NPT Gauge: (2) 1/4" NPT	

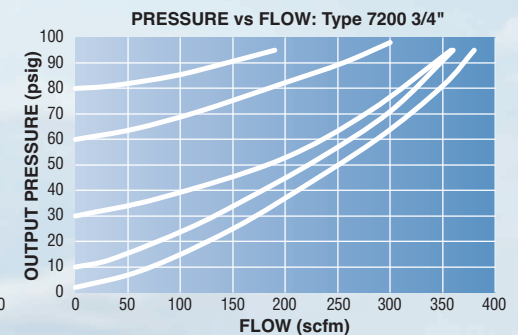
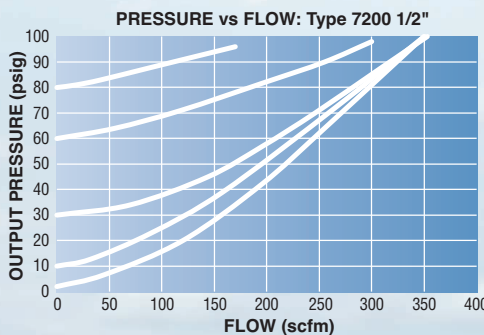
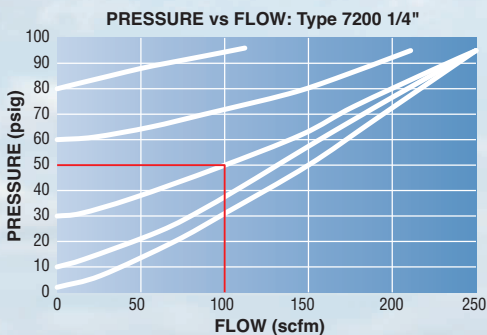


Materials of Construction

Housing	Diecast aluminum alloy
Bolting	Zinc plated steel
Internal Components	Stainless steel, plated steel, brass, aluminum
Elastomers	Nitrile
Knob	Phenolic plastic



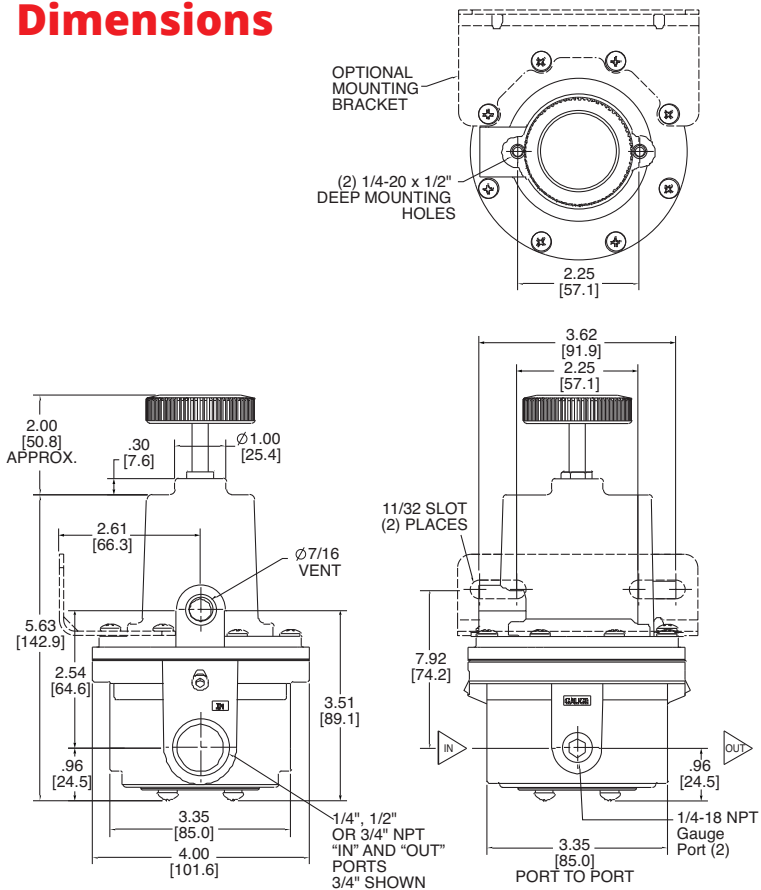
Flow Characteristics



Relief Capacity Example: A Type 7200BP 1/4 NPT regulator is set to start relieving at 30 psig. As pressure exceeds the setpoint, it will start relieving. If the pressure were to reach 50 psig, the 7200BP would flow at a rate of 100 scfm.

Type 7200BP Precision Back Pressure Regulator

Dimensions



Ordering Use this coding system to order

Model

7200

Options

Port Size (NPT)

B 1/4"

D 1/2"

E 3/4"

Range

A 0-2 psig (0-0.15 bar)

B 0-10 psig (0-0.69 bar)

C 0-30 psig (0-2.0 bar)

D 0-60 psig (0-4.0 bar)

E 0-100 psig (0-6.89 bar)

F 0-150 psig (0-10 bar)

K Stainless Steel Knob Stem, knob itself is phenolic plastic

S Square head adjusting screw

T Tamper-proof Cover: prevents casual adjustment of output pressure

X ATEX 2014/34/EU

Accessories

Mounting Bracket (zinc plated steel):

P/N 449-542-045

Gauges: 1/4" NPT back mount, 2" face, dual scale

Range psi (bar)	Part Number
0-15 (0-1.0)	446725-003
0-30 (0-2.0)	446-725-004
0-60 (0-4.0)	446-725-001
0-160 (0-11)	446-725-002

Exhaust Screen/Muffler Fitting (plated steel):

1/4" NPT: P/N 445-761-008

1/2" NPT: P/N 445-761-013

3/4" NPT: P/N 445-761-006

Warranty ControlAir, LLC products are warranted to be free from defects in materials and workmanship for a period of eighteen months from the date of sale, provided said products are used according to ControlAir, LLC recommended usages. ControlAir, LLC's liability is limited to the repair, purchase price refund, or replacement in kind, at ControlAir, LLC's sole option, of any products proved defective. ControlAir, LLC reserves the right to discontinue manufacture of any products or change products materials, designs or specifications without notice. Note: ControlAir does not assume responsibility for the selection, use, or maintenance of any product. Responsibility for the proper selection, use, and maintenance of any ControlAir product remains solely with the purchaser and end user. Drawing downloads available at www.controlair.com



8 Columbia Drive / Amherst, NH 03031 USA / www.controlair.com / sales@controlair.com / 603-886-9400 / FAX 603-889-1844

An ISO 9001:2015 Registered Company

P/N 441-625-075 7/21/22