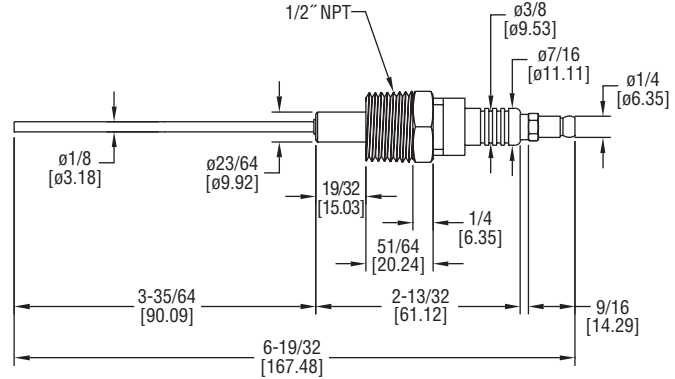




# CONDUCTIVITY LEVEL PROBE

Low Cost, Compact Design



The **MODEL CLP** Conductivity Level Probe is used to determine the presence of a conductive liquid at a set level by sensing conductivity between the probe fitting and end. The Series CLP can be coupled with the Series TSWB Temperature Level Controller for a complete level control system.

## FEATURES/BENEFITS

- Mount in any orientation in a tank, tee fitting, or any compatible threaded port for easy installation
- Probe end is solid stainless steel allowing substantial resistance to heat and corrosion
- Ceramic insulator allows for high degree of isolation

## APPLICATIONS

- Water level monitoring
- Tank level control
- Process automation
- Single point level service
- Open tanks
- Closed vessels

## SPECIFICATIONS

**Service:** Conductive liquids compatible with wetted materials.

**Wetted Materials:** Probe end: 430SS; Insulator: Ceramic; Fitting: Nickel-plated iron; Seal: Silicone.

**Temperature Limits:** 392°F (200°C).

**Pressure Limits:** 87 psi (6 bar).

**Electrical Connections:** Snap-type post.

**Process Connection:** 1/2" NPT.

**Mounting:** Threaded port, any orientation.

**Weight:** 2 oz (57 g).

## MODEL CHART

Model	Description
CLP-1	Conductivity level probe, 1/2" NPT