

## 2/2 way compact flange ball valve



- Manually operated
- Low torques
- Long lifespan
- Maintenance friendly
- High flow rate

2/2 way compact flange ball valve in stainless steel used to shut off medium flows.  
DN15 -DN150

Technical data	
<b>Orifice</b>	Manually operated steel DIN/ISO 5211 DN15...150 Manually operated stainless steel DIN/ISO 5211 DN15...150
<b>Body material</b>	Steel 1.0619 Stainless steel 1.4408
<b>Ball material</b>	Stainless steel 1.4401
<b>Seal material</b>	PTFE
<b>Pressure range</b>	Technical vacuum ( $10^{-3}$ Torr) ... 40 bar <sup>1)</sup> PN40: Orifice 15...50 mm PN16: Orifice 65...150 mm (other pressure ranges on request)
<b>Temperature range</b>	-10 °C to +200 °C (see also pressure temperature restart points)
Version steel DIN/ISO 5211	-10 °C to +200 °C
Version stainless steel DIN/ISO 5211	-10 °C to +200 °C

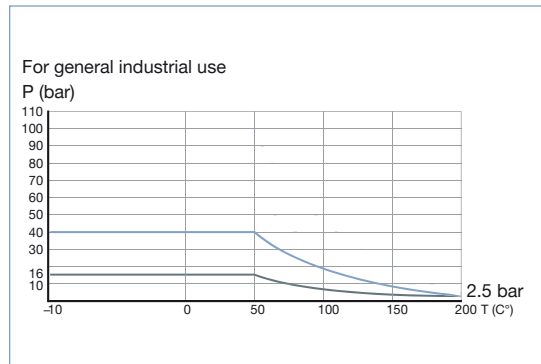
<sup>1)</sup> Pressure values [bar]: Measured as overpressure to the atmospheric pressure

## Steel version, DIN / ISO 521 flange fitting

## Torque

Orifice [mm]	Torque
15	8
20	11
25	15
32	22
40	26
50	42
65	56
80	84
100	105
125	139
150	184

## Pressure temperature restart points

 $K_{vs}$  value

Orifice [mm]	$K_{vs}$ value water [m <sup>3</sup> /h]
15	35
20	46
25	72
32	105
40	170
50	275
65	507
80	905
100	1414
125	2362
150	3674

<sup>1)</sup> Pressure values [bar]: Measured as overpressure to the atmospheric pressure

 $K_{vs}$  value [m<sup>3</sup>/h]

Nominal flow-rate value for water acc. to VDI/VDE 2173.

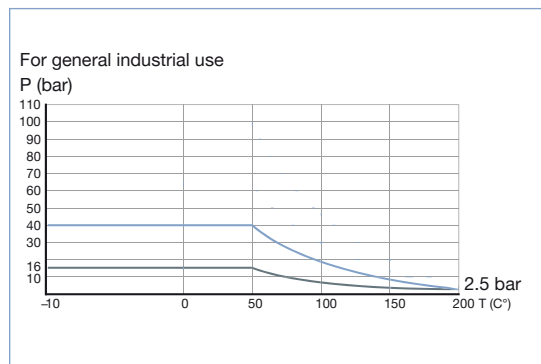
Measured at a medium temperature from +15 °C, 1 bar<sup>1)</sup> pressure at inlet and free outlet

## Stainless steel version, DIN / ISO 5211 flange fitting

## Torque

Orifice [mm]	Torque
15	8
20	11
25	15
32	22
40	26
50	42
65	56
80	84
100	105
125	139
150	184

## Pressure temperature restart points

 $K_{vs}$  value

Orifice [mm]	$K_{vs}$ value water [m <sup>3</sup> /h]
15	35
20	46
25	72
32	105
40	170
50	275
65	507
80	905
100	1414
125	2362
150	3674

<sup>1)</sup> Pressure values [bar]: Measured as overpressure to the atmospheric pressure

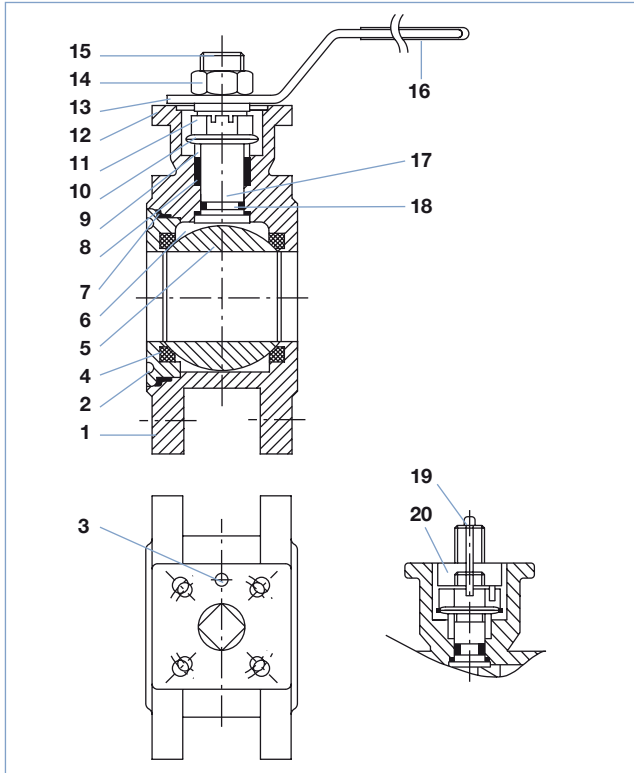
 $K_{vs}$  value [m<sup>3</sup>/h]

Nominal flow rate value for water acc. to VDI/VDE 2173.

Measured at a Medium temperature from +15 °C, 1 bar<sup>1)</sup> pressure at inlet and free outlet

## Material

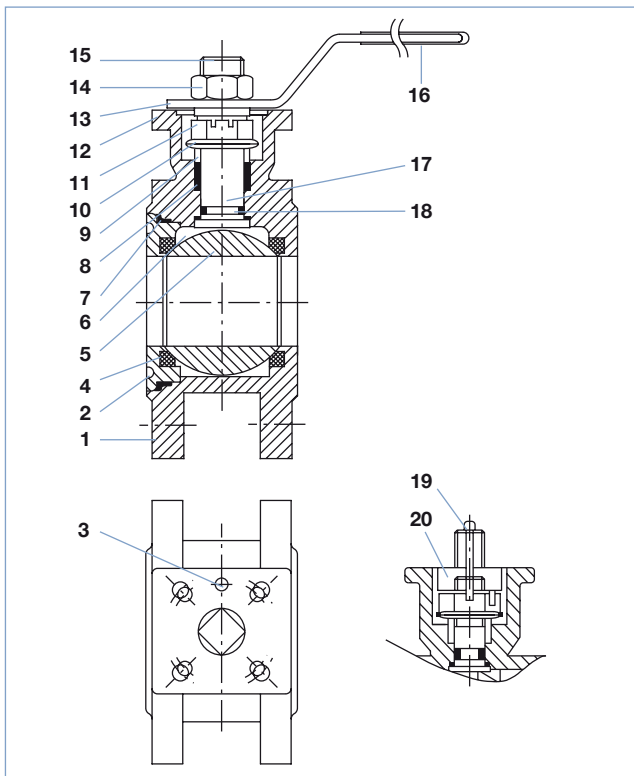
## Steel version, DIN / ISO 5211 flange fitting



1	Body	1	1.0619
2	Screw-in fitting	1	1.0619
3	Stopper	1	1.4301
4	Ball seal	2	PTFE
5	Ball	1	1.4301
6	Pressure ring	1	PTFE
7	Body seal	1	PTFE
8	Ball stem seal	1 unit	PTFE
9	Packing gland ring	2	1.4301
10	Spring cup	2	SUS 301
11	Packing gland	1	1.4301
12	Safety ring	1	1.4301
13	Handle	1	1.4301
14	Locknut	1	1.4301
15	Gearshift lever shaft	1	1.4301
16	Handle cover	1	Plastic
17	Anti-static (optional)	1	1.4301
18	O-Ring	1	FKM
19	Spigot	1	1.4301
20	Driver	1	1.4301

Integrated DIN/ISO 5211-Flange configuration

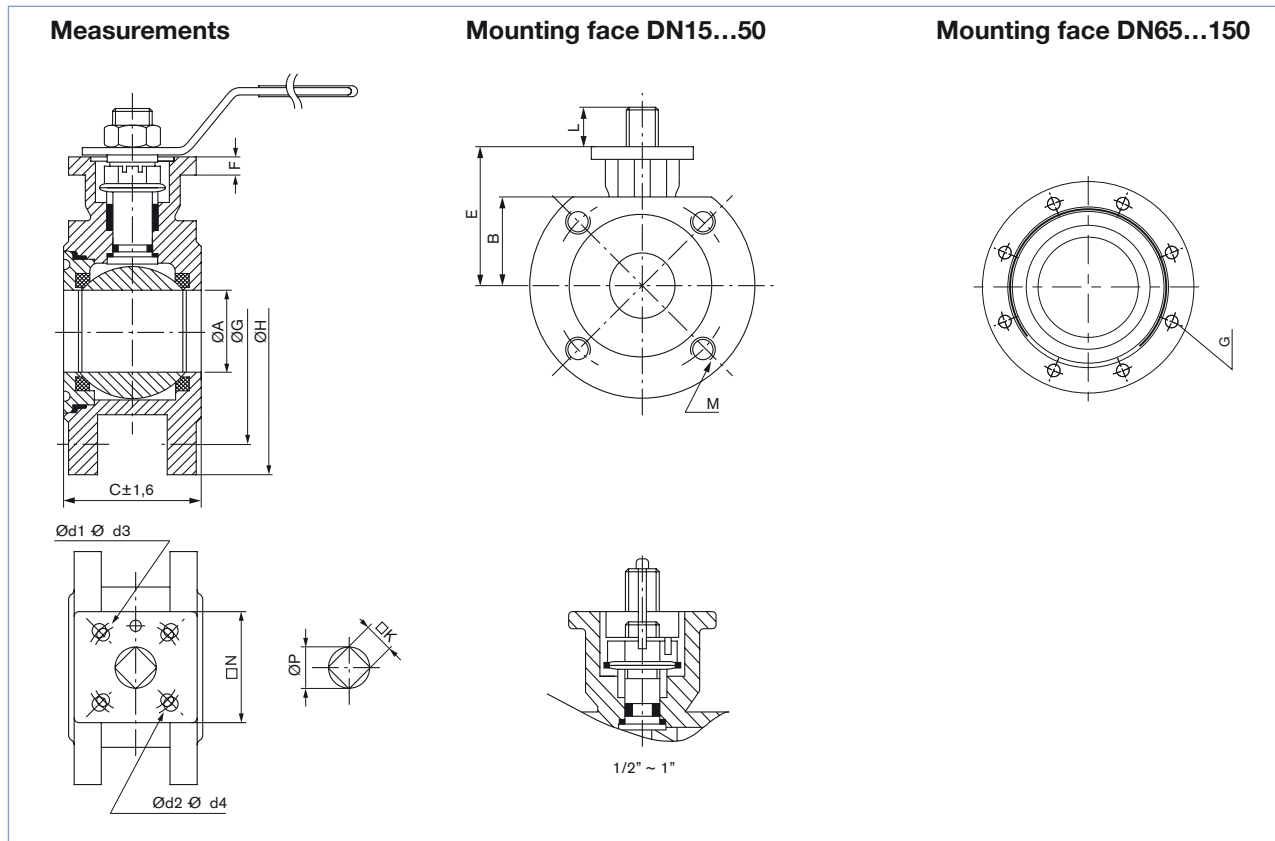
## Stainless steel version, DIN / ISO 5211 flange fitting



1	Body	1	1.4408
2	Screw-in fitting	1	1.4408
3	Stopper	1	1.4301
4	Ball seal	2	PTFE
5	Ball	1	1.4401
6	Pressure ring	1	PTFE
7	Body seal	1	PTFE
8	Ball stem seal	1 unit	PTFE
9	Packing gland ring	2	1.4301
10	Spring cup	2	SUS 301
11	Packing gland	1	1.4301
12	Safety ring	1	1.4301
13	Handle	1	1.4301
14	Locknut	1	1.4301
15	Gearshift lever shaft	1	1.4401
16	Handle cover	1	Plastic
17	Anti-static (optional)	1	1.4301
18	O-Ring	1	FKM
19	Spigot	1	1.4301
20	Driver	1	1.4301

Integrated DIN/ISO 5211-Flange configuration

## Steel version, DIN / ISO 5211 flange fitting



## Dimensions [mm]

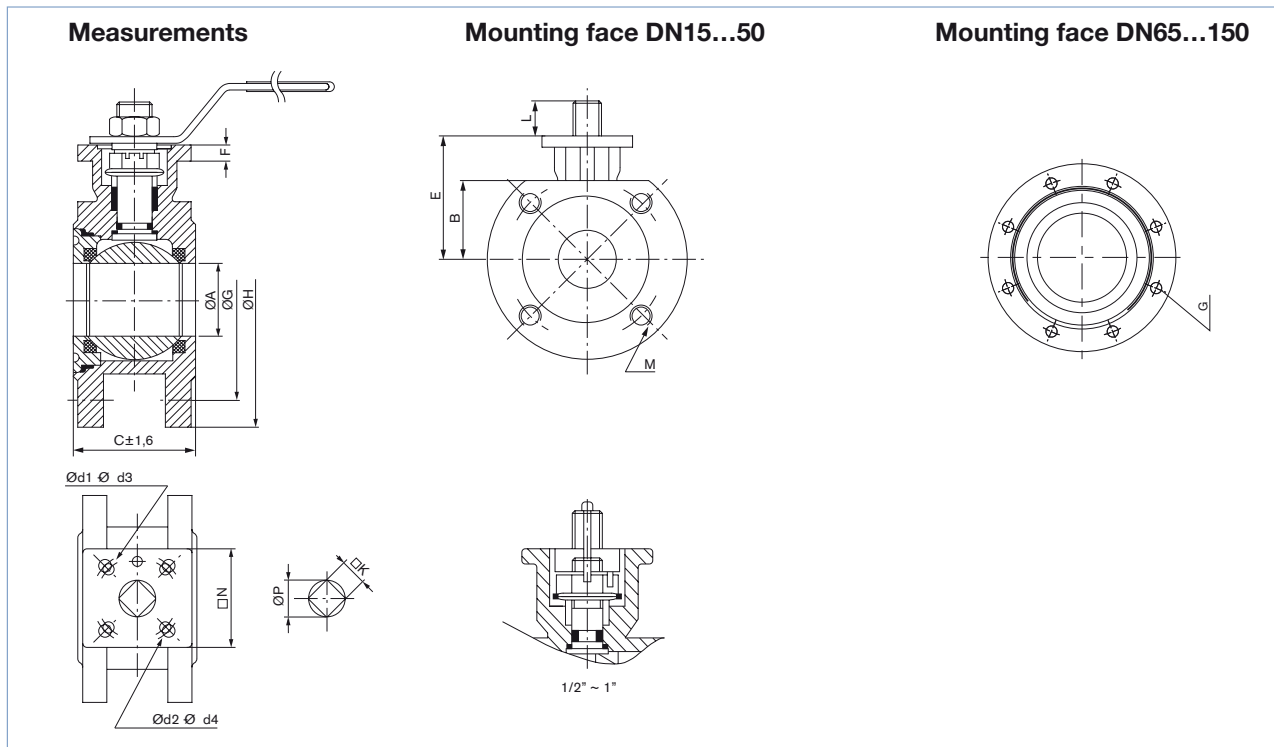
Orifice [mm]	C [mm]	Ø G [mm]	Ø H [mm]	Ø A [mm]	B [mm]	E [mm]
15	40	65	95	15	34.5	60.0
20	44	75	105	20	38.5	64.3
25	53	85	115	25	44.6	64.6
32	58.4	100	135	32	51	69.0
40	62	110	145	38	55	76.3
50	78	125	155	50	63	85.7
65	100	145	185	65	73.5	105
80	120	160	200	76	94	123
100	152	180	220	96	105	132
125	180	188	250	114	125	157.5
150	215	212	285	135	142.5	172.5

Orifice [mm]	ISO 5211	Ø d1 [mm]	Ø d2 [mm]	Ø d3 [mm]	Ø d4 [mm]	K [mm]	L [mm]	M [mm]
15	F03/F04	36	42	6.0	5.5	9	8	M12×1.75
20	F03/F04	36	42	6.0	5.5	9	11	M12×1.75
25	F04/F05	42	50	5.5	7.0	11	11	M12×1.75
32	F04/F05	42	50	5.5	7.0	11	11	M16×2
40	F05/F07	50	70	7.0	8.5	14	17	M16×2
50	F05/F07	50	70	7.0	8.5	14	15	M16×2
65	F07	-	70	-	9.0	17	17	M16×2 (8 holes)
80	F07	-	70	-	9.0	17	17	M16×2 (8 holes)
100	F07/F10	70	102	9.0	10.5	17	29	M16×2 (8 holes)
125	F10/F12	102	125	10.5	12.5	27	36	M16×2 (8 holes)
150	F10/F12	102	125	10.5	12.5	27	36	M20×2.5 (8 holes)

## Ordering chart

Orifice [mm]	Article no.
15	788860
20	788861
25	788862
32	788863
40	788864
50	788865
65	788866
80	788867
100	788868
125	788869
150	788870

## Stainless steel version, DIN / ISO 5211 flange fitting



## Dimensions [mm]

Orifice [mm]	C [mm]	Ø G [mm]	Ø H [mm]	Ø A [mm]	B [mm]	E [mm]
15	40	65	95	15	34.5	60.0
20	44	75	105	20	38.5	64.3
25	53	85	115	25	44.6	64.6
32	58.4	100	135	32	51	69.0
40	62	110	145	38	55	76.3
50	78	125	155	50	63	85.7
65	100	145	185	65	73.5	105
80	120	160	200	76	94	123
100	152	180	220	96	105	132
125	180	188	250	114	125	157.5
150	215	212	285	135	142.5	172.5

Orifice [mm]	ISO 5211	Ø d1 [mm]	Ø d2 [mm]	Ø d3 [mm]	Ø d4 [mm]	K [mm]	L [mm]	M [mm]
15	F03/F04	36	42	6.0	5.5	9	8	M12×1.75
20	F03/F04	36	42	6.0	5.5	9	11	M12×1.75
25	F04/F05	42	50	5.5	7.0	11	11	M12×1.75
32	F04/F05	42	50	5.5	7.0	11	11	M16×2
40	F05/F07	50	70	7.0	8.5	14	17	M16×2
50	F05/F07	50	70	7.0	8.5	14	15	M16×2
65	F07	-	70	-	9.0	17	17	M16×2 (8 holes)
80	F07	-	70	-	9.0	17	17	M16×2 (8 holes)
100	F07/F10	70	102	9.0	10.5	17	29	M16×2 (8 holes)
125	F10/F12	102	125	10.5	12.5	27	36	M16×2 (8 holes)
150	F10/F12	102	125	10.5	12.5	27	36	M20×2.5 (8 holes)

## Ordering chart

Orifice [mm]	Article no.
15	784971
20	787066
25	784775
32	784776
40	784777
50	784778
65	784779
80	784780
100	784781
125	784968
150	784969

To find your nearest Bürkert facility, click on the orange box → [www.burkert.com](http://www.burkert.com)

In case of special application conditions,  
please consult for advice

Subject to alteration.  
© Christian Bürkert GmbH & Co. KG

1802/6\_EU-en\_00895108