

800LFB

Liquid Filled • Plastic Case

UTILITY GAUGES



800LFB shown

- ▶ 2", 2 1/2", 3 1/2" Dial Sizes
- ▶ ±1.6% Accuracy (2", 2 1/2")
- ▶ ±1.0% Accuracy (3 1/2")
- ▶ Liquid Filled

The Trerice **800LFB** Utility Gauge is designed to meet the needs of general industrial applications. The gauge features a rugged, plastic, liquid filled case to withstand minor vibration and pulsation conditions. Wetted parts are bronze tube with brass socket.

- **Optional features and case style variations available: Please consult the Options & Accessories Section for details.**
- **For correct use and application of all pressure gauges, please refer to: Pressure Gauge Standard ASME B40.100.**

Note: "NEW" Range Codes

HOW TO ORDER

Sample Order Number: **800LFB 25 02 L A 300**

Model	Dial Size	Connection Size	Connection Location	Units of Measure	Range Code
800LFB	20 2"	01 1/8 NPT*	L Lower	A psi	See Standard Ranges Note: "NEW" Range Codes
	25 2 1/2"	02 1/4 NPT	B Back	D psi/kPa	
	35 3 1/2"				

* 1/8 NPT connection size not available with 3 1/2" dial size.

Specifications

Model

800LFB (liquid filled)

Dial Sizes 2", 2 1/2", 3 1/2"

Wetted Parts

Bronze tube, brass socket

Fill

Glycerine, other fills available
See Optional Features Section

Movement

Brass

Connection

Lower male or center back male
1/8 or 1/4 NPT

Case

2", 2 1/2" Dial Size: ABS plastic,
stem-mounted flangeless

3 1/2" Dial Size: Nylon,
stem-mounted flangeless

Ring

Crimped aluminum, black finished

Window

Styrene-acrylonitrile

Pointer

Plain, black finish

Dial Face

Aluminum, white background with
black graduations and markings

Accuracy

2", 2 1/2" Dial Size:
±1.6% Full Scale

3 1/2" Dial Size:
±1.0% Full Scale, ASME B40.100
Grade 1A

Maximum Temperature

150°F (65°C)

Approximate Shipping Weight

2" Dial Size:
0.4 lbs [0.18 kg]

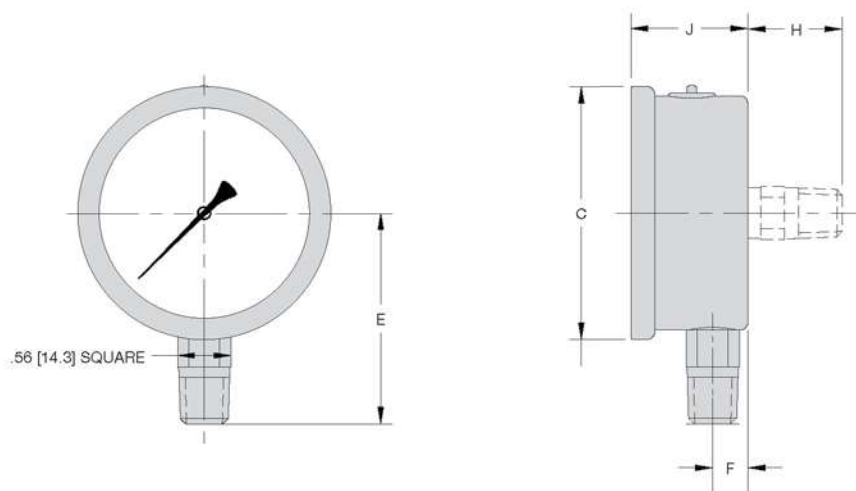
2 1/2" Dial Size:
0.5 lbs [0.23 kg]

3 1/2" Dial Size:
1.0 lbs [0.45 kg]

800LFB

Liquid Filled • Plastic Case

All dimensions are nominal. Dimensions in [] are in millimeters.



Dial Size	C	E	F	H	J
2"	2.09 [53.1]	1.91 [48.5]	0.48 [12.2]	0.98 [24.9]	1.24 [31.2]
2 1/2"	2.67 [67.8]	2.19 [55.5]	0.39 [10.0]	0.99 [25.1]	1.26 [32.5]
3 1/2"	4.23 [107]	2.87 [73.0]	0.48 [12.2]	1.06 [27]	1.41 [36.0]

Standard Ranges

Note: "NEW" Range Codes

psi Ranges (A)						
NEW Range Code	OLD Range Code	2 & 2 1/2" Dial Size			3 1/2" Dial Size	
		Specific Range	Figure Intervals	Minor Divisions	Figure Intervals	Minor Divisions
30/0	010	30" Hg to 0	5	1	5	0.5
30/15	020	30" Hg to 15 psi	10/5	1/0.5	10/5	1/0.5
30/30	030	30" Hg to 30 psi	10/5	1/1	10/5	1/1
30/60	040	30" Hg to 60 psi	10/10	2/1	10/10	2/1
30/100	050	30" Hg to 100 psi	30/20	2/2	30/20	2/2
30/150	060	30" Hg to 150 psi	30/30	5/2	30/30	5/2
30/300	070	30" Hg to 300 psi	30/50	5/5	30/50	5/5
15	080	0 to 15 psi	3	0.2	3	0.2
30	090	0 to 30 psi	5	0.5	5	0.5
60	100	0 to 60 psi	10	1	10	1
100	110	0 to 100 psi	10	1	10	1
160	120	0 to 160 psi	20	2	20	2
200	130	0 to 200 psi	20	2	20	2
300	140	0 to 300 psi	50	5	50	5
400	150	0 to 400 psi	50	5	50	5
600	160	0 to 600 psi	100	10	100	10
1000	180	0 to 1000 psi	100	20	100	20
1500	190	0 to 1500 psi	300	20	300	20
2000	200	0 to 2000 psi	200	20	200	20
3000	210	0 to 3000 psi	500	50	500	50
5000	220	0 to 5000 psi	1000	100	1000	100

For dual scale ranges specify the appropriate **Units of Measure: D** (psi/kPa) followed by the corresponding **A** (psi) Range Code

UTILITY GAUGES