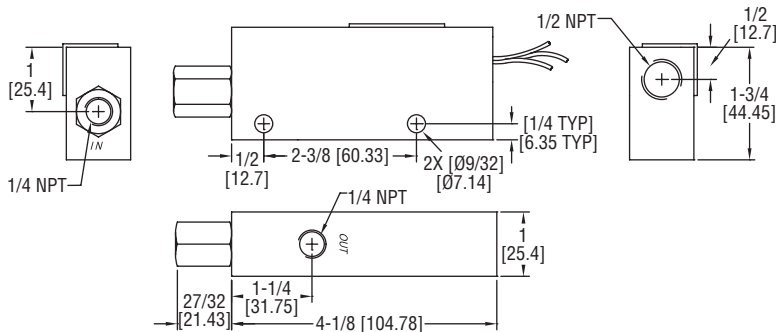
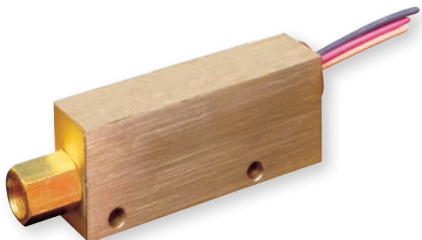




BRASS FLOW SWITCH

Fixed Setpoints, Flow Rates from 0.10 to 1.5 GPM



The **SERIES P1** Brass Flow Switches utilizes a piston-type design for accurate detection of excessive or insufficient liquid flow rates. The switches have preset actuation points from 0.10 to 1.5 GPM for liquid flow.

FEATURES/BENEFITS

- Piston-type operation yields accurate detection of low flow rates
- The piston magnetically actuates a hermetically sealed SPST reed switch

APPLICATIONS

- Industrial cleaning equipment
- Detecting loss of fluid in hydraulic systems
- Assuring proper coolant flow in semiconductor processing

MODEL CHART	
Model	Actuation Set Point* GPM (LPM)
P1-011	0.10 (.38)
P1-012	0.25 (.95)
P1-013	0.50 (1.89)
P1-014	0.75 (2.84)
P1-015	1.00 (3.79)
P1-016	1.50 (5.68)

*Calibrated for water at standard conditions.

SPECIFICATIONS

Service: Compatible liquids.

Wetted Materials: Housing: Brass; Piston: Polysulfone; Spring: 316SS; O-ring: Fluoroelastomer; Other: Epoxy.

Temperature Limits: -20 to 225°F (-29 to 107°C).

Pressure Limits: 1000 psig (68.9 bar).

Accuracy: ±10% of set point.

Repeatability: ±1%.

Switch Type: SPDT.

Electrical Rating: .17 A @ 120 VAC, .08 A @ 240 VAC, .13 A @ 120 VDC, .06 A @ 240 VDC.

Electrical Connection: 18 AWG, 24" (60.96 cm), polymeric lead wires.

Process Connection: 1/4" female NPT.

Mounting Orientation: Any position. Set points shown are based on vertical, inlet down position.

Required Filtration: 50 microns or better.

Weight: 0.66 lb (301 g).

Agency Approvals: CE.