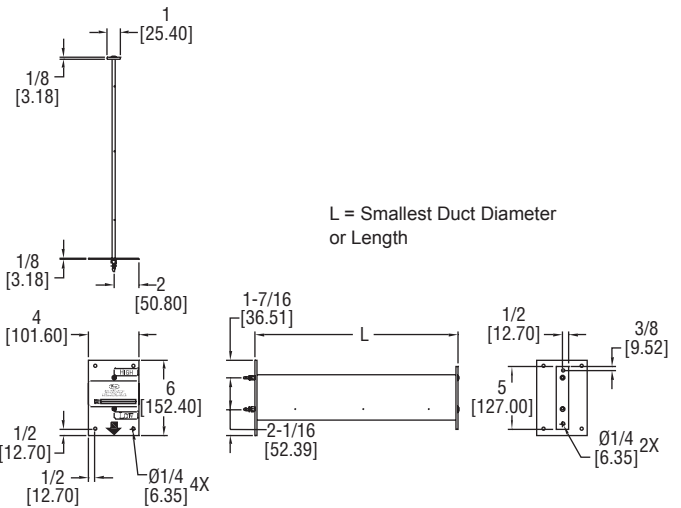
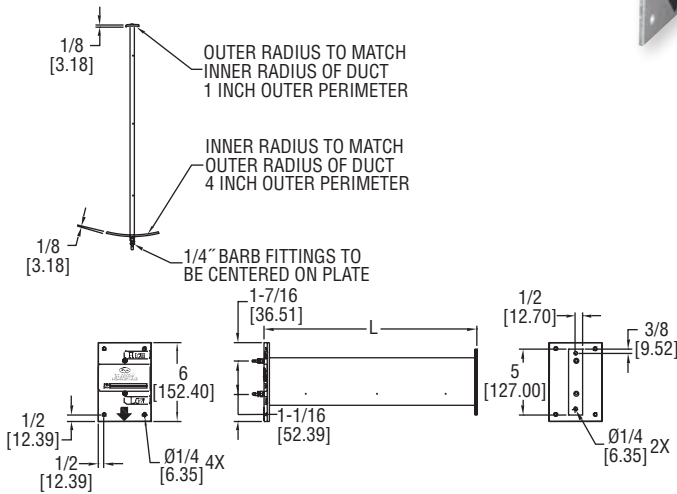




# DUCT AIR FLOW MEASURING PROBE

Lightweight, Durable, & Easy to Install



The **SERIES DAFM** Duct Air Flow Measuring Probe uses evenly distributed total and static pressure measuring points to deliver an accurate measurement of velocity pressure in a duct.

## FEATURES/BENEFITS

- Lightweight aluminum construction
- Can be used in rectangular duct up to 24" by 90" and round ducts up to 24" diameters

## APPLICATIONS

- Zone control in HVAC systems
- Building air intake and exhaust flow rate measurement

In order to ensure accurate measurements you must determine the number of probes needed for your size duct. If the duct is rectangular, then consult the chart to determine appropriate quantity of probes.

If the duct is round, it is only necessary to purchase two probes for any size of duct and mount them perpendicular to each other.

Short Duct Dimension	Number of Probes
<12"	1
12" to 23"	2
24" to 35"	3
36" to 59"	4
60" to 89"	5
>89"	6

## SPECIFICATIONS

- Wetted Materials:** Aluminum with clear anodized finish.
- Accuracy:** ±2% (Note: Field calibration may be required).
- Temperature Limit:** 400°F (204°C).
- Minimum Design Flow:** 400 fpm (2.03 m/sec).
- Maximum Design Flow:** 12,000 fpm (60.96 m/sec).
- Process Connections:** 1/4" barb.
- Straight Run Requirements:** 5 diameters or longest side dimensions.

## MODEL CHART

Model	Duct Shape	Smallest Duct Diameter or Length (L)
DAFM-000	Round	6" (15.24 cm)
DAFM-001	Round	8" (20.32 cm)
DAFM-002	Round	10" (25.4 cm)
DAFM-003	Round	12" (30.48 cm)
DAFM-004	Round	14" (35.56 cm)
DAFM-005	Round	16" (40.64 cm)
DAFM-006	Round	18" (45.72 cm)
DAFM-007	Round	20" (50.8 cm)
DAFM-008	Round	22" (55.88 cm)
DAFM-009	Round	24" (60.96 cm)
DAFM-100	Rectangular	6" (15.24 cm)
DAFM-101	Rectangular	8" (20.32 cm)
DAFM-102	Rectangular	10" (25.4 cm)
DAFM-103	Rectangular	12" (30.48 cm)
DAFM-104	Rectangular	14" (35.56 cm)
DAFM-105	Rectangular	16" (40.64 cm)
DAFM-106	Rectangular	18" (45.72 cm)
DAFM-107	Rectangular	20" (50.8 cm)
DAFM-108	Rectangular	22" (55.88 cm)
DAFM-109	Rectangular	24" (60.96 cm)

Note: For larger sizes up to 96" (243.84 cm), please contact factory.