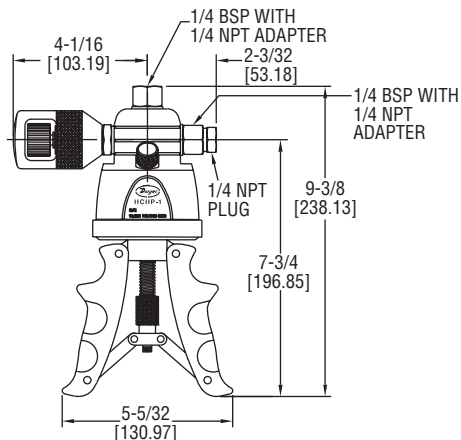


# HYDRAULIC CALIBRATION HAND PUMP

## Triple Filtration, Generates Pressure up to 10,000 psi (700 bar)



The **SERIES HCHP** Hydraulic Calibration Hand Pump utilizes a fully adjustable stroke control that allows for quick priming, easy pumping, and fast pressure generation up to 10,000 psi (700 bar). The ergonomically engineered handles provide extra comfort, while the triple filtration system ensures pump operation in spite of dirty conditions.

### FEATURES/BENEFITS

- Oversized check valve maintain smooth operation
- Shatterproof reservoir and stainless steel construction guarantee no leaks

### APPLICATIONS

- Instrument calibration
- Laboratories
- Production areas

ACCESSORY	
Model	Description
HCHP-1F	Spare washer and filter kit

### SPECIFICATIONS

**Output Ranges:** 0 to 10,000 psi (0 to 700 bar).

**Process Connection:** 1/4" NPT/BSP.

**Gage Connection:** 1/4" NPT/BSP.

**Materials:** SS, polyurethane, anodized hard-coat aluminum, PTFE, and nitrile.

**Weight:** 3 lb (1.36 kg).

MODEL CHART	
Model	Description
HCHP-1	Calibration hand pump
HCHP-1K	Calibration hand pump with hose kit