

## Steam Traps

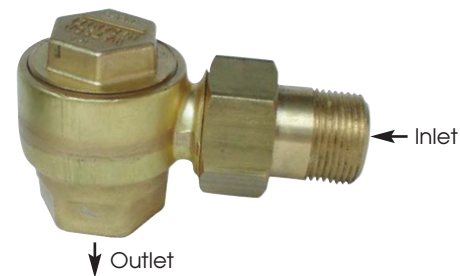
### Thermostatic Steam Trap

# TA25B, TA125 TS25B, TS125

(Repairable)

Model	<b>TA25B, TA125, TS25B, TS125</b>
Sizes	<b>1/2", 3/4"</b>
Connections	<b>NPT</b>
Body Material	<b>Brass</b>
PMO Max. Operating Pressure	<b>TA25B, TS25B 25 PSIG TA125, TS125 125 PSIG</b>
TMO Max. Operating Temperature	<b>Saturated Steam Temperature</b>
PMA Max. Allowable Pressure	<b>125 PSIG up to 450°F</b>
TMA Max. Allowable Temperature	<b>450°F @125 PSIG</b>

#### TA Type • Right-Angle Connection



#### TS Type • Straight-thru Connection



#### Typical Applications

**TA & TS** type steam traps are predominantly used in the HVAC industry. They are referred to as radiator traps because the quick-disconnect right angle connection of the TA Type is found on most steam radiator installations. The TS Type offers a straight-through connection alternative. TA and TS Series radiator traps were designed specifically for removing condensate and air from 2-pipe steam heating systems. Their excellent air-handling capabilities, compact size, and economical cost make them a great choice for air vents on heat exchangers or for steam trap applications on OEM equipment. Contains an extremely strong and rugged precision-welded Stainless Steel thermal element which is highly resistant to waterhammer.

#### How It Works

This thermostatic trap contains a welded stainless steel thermal element that expands when heated and contracts when cooled. When air and condensate are present the trap is in the open discharge position. When steam reaches the trap the element expands and closes off tightly.

#### Features

- Excellent air handling capability
- In-line repairable
- Welded stainless steel thermal element
- Stainless seat on TA125 & TS125
- High thermal efficiency

#### Sample Specification

The steam trap shall be of thermostatic type with brass or bronze body and stainless steel thermal element. Trap must be in-line repairable.

#### Installation and Maintenance

Trap can be installed in any orientation. The bodies are made from a high-quality brass forging and are easily repairable while the steam trap remains in-line by removing the cap and replacing the seat and thermal element. Repair kit includes thermal element, seat and gasket.

# Steam Traps

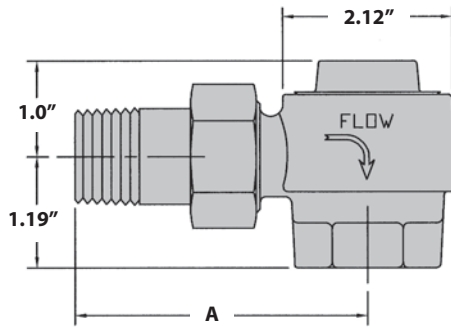
## Thermostatic Steam Trap

(Repairable)

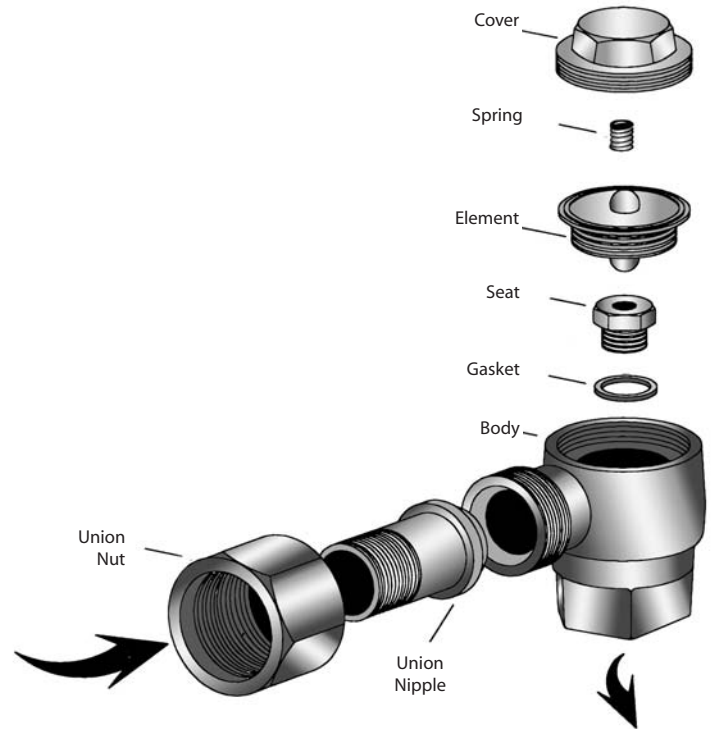
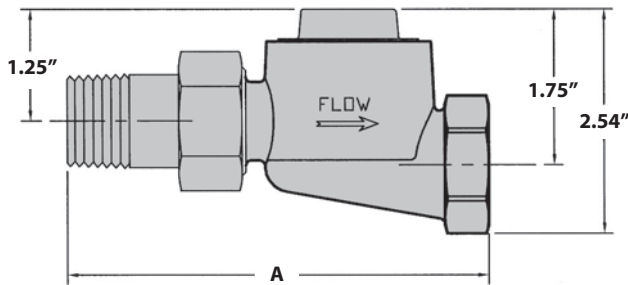
**TA25B, TA125**  
**TS25B, TS125**

STEAM TRAPS

### TA Type • Right-Angle Connection



### TS Type • Straight-thru Connection



### DIMENSIONS & WEIGHTS – inches

Model	Pipe Size	A	Weight (lbs)
TA25B, TA125	1/2"	2.1875	1.5
TA25B, TA125	3/4"	3.062	1.5
TS25B, TS125	1/2"	4.500	1.5
TS25B, TS125	3/4"	4.625	1.5

*Note: Other Union Connections and Lengths are available; consult factory.*

### How to Size / Order

Select differential pressure; follow column down to correct capacity (lbs/hr) block. Example:

Application: 2100 lbs/hr at 40 PSI differential pressure

Size/Model: 3/4" TA125

### CAPACITIES – Condensate (lbs/hr)

Size	Model Code	PMO (PSIG)	Steam Inlet Pressure (PSIG)				
			15	25	40	65	125
1/2"	TA25B-12-N	25	825	1070			
	TS25B-12-N						
	TA125-12-N	125	825	1070	1323	1610	1950
	TS125-12-N						
3/4"	TA25B-13-N	25	1290	1700			
	TS25B-13-N						
	TA125-13-N	125	1290	1700	2100	2575	3300
	TS125-13-N						

### MATERIALS

Body	Forged Brass, CA 377
Element	Welded Stainless Steel, AISI 302
Cover	Forged Brass, CA 377
Spring	Stainless Steel, AISI 304
Seat	TA25B/TS25B: Brass ASTM B-21 TA125/TS125: Stainless Steel, AISI 303
Gasket	Brass, ASTM B-21
Union Nipple	Brass, ASTM B-16
Union Nut	Brass, ASTM B-16