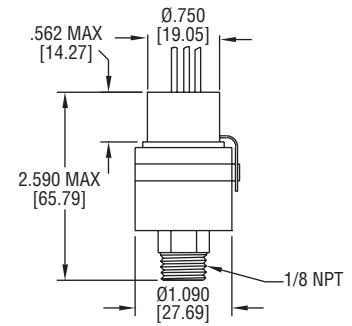




ADJUSTABLE PRESSURE SWITCH

Vacuum and Pressure Ranges, 5 A Switch, Compact Size

Single Pressure Switches



Miniature **SERIES APS/AVS** Adjustable Switches offer reliable switching for pressure/vacuum alarm, shutdown or control. The units are readily adjustable throughout their range using the locking adjusting ring and indicating pointer. The body is constructed of stainless steel for durability in harsh environments. Switches include 12" (30 cm) wire leads sealed with epoxy for additional protection.

FEATURES/BENEFITS

- Field adjustable with simple indicating pointer reduces installation time bring application on-line faster
- Stainless steel construction provides a durable solution in harsh environments

APPLICATIONS

- OEM
- Compressors
- Motor control
- Process equipment
- Pump control

SPECIFICATIONS	
Service: Compatible liquids or gases.	Electrical Ratings: 5 A @ 250 VAC, 3 A @ 28 VDC.
Wetted Materials: Capsule: 17-7 PH SS; Fitting: 303 SS.	Electrical Connections: 3-wire, 20 AWG insulated with PVC, 12" (30 cm) length.
Temperature Limits: -65 to 225°F (-54 to 107°C), a set point change of up to 2% when used below -10°F (-23°C) or above 125°F (52°C).	Process Connection: 1/8" male NPT.
Pressure/Vacuum Limits: 150% of range.	Set Point: Field adjustable.
Switch Type: SPDT snap action.	Cycling: Not to exceed 20 CPM.
	Sensor Element: Capsule.
	Weight: 3 oz (85 g).
	Agency Approval: UR.

MODEL CHART								
Model	Set Point Range psi (bar)		Repeatability psi (bar)	Deadband psi (bar)	Model	Set Point Range Hg (cm Hg) VAC		Repeatability Hg (cm Hg)
	Decreasing	Increasing				Decreasing	Increasing	
APS-150	0.8 to 28.5 (.06 to 2.0)	1.6 to 30.0 (.11 to 2.1)	±0.6(.04)	0.8 to 1.3 (.06 to .09)	AVS-150	1.6 to 27.1 (4.1 to 68.6)	2.7 to 28.2 (6.9 to 71.6)	±1.2 (3.1)
APS-250	2.0 to 48.0 (.14 to 3.3)	3.0 to 50.0 (.21 to 3.5)	±1.0(0.7)	1 to 1.7 (.07 to .12)	AVS-250	4.0 to 24.8 (10.2 to 63.0)	5.1 to 28.2 (13.0 to 71.6)	±2.0 (5.1)
APS-350	3.0 to 96.5 (.21 to 6.7)	4.5 to 100 (.31 to 6.9)	±2.0(.14)	1.6 to 4 (.11 to .28)	AVS-350	6.0 to 21.5 (15.2 to 54.6)	8.4 to 28.2 (21.3 to 71.6)	±4.0 (10.2)
APS-450	7.5 to 242 (.52 to 16.7)	9.7 to 250 (.67 to 17.2)	±5.0(.35)	2.5 to 9 (.17 to .62)				
APS-550	15.0 to 485 (1.0 to 33.4)	20.0 to 500 (1.4 to 34.5)	±10.0(.69)	5 to 22 (.35 to 1.5)				