

SPECIALTY PRODUCTS

WCIY Series

Cast Iron Y-Type Strainers

Watson McDaniel reserves the right to change the designs and/or materials of its products without notice.
©2010 Watson McDaniel Company

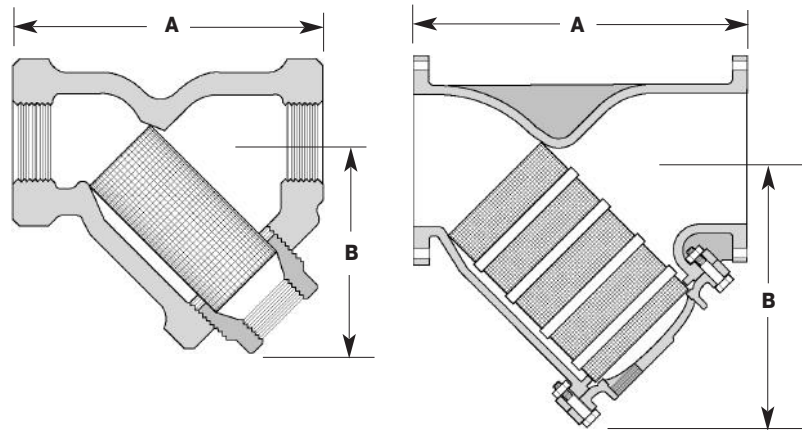
Model	WCIY
Sizes	1/2", 3/4", 1", 1 1/4", 1 1/2", 2", 2 1/2", 3", 4"
Connections	NPT, Flanged
Body Material	Cast Iron



PRESSURE/TEMPERATURE RATINGS

NPT	250 PSIG @ 406°F - Steam
NPT	400 PSIG @ 150°F - WOG
125# FLG	125 PSIG @ 450°F - Steam
125# FLG	200 PSIG @ 150°F - WOG
250# FLG	250 PSIG @ 450°F - Steam
250# FLG	500 PSIG @ 150°F - WOG

Note: WOG = Water, Oil or Gas.



TYPICAL APPLICATIONS

The WCIY Y-Strainer is used to strain dirt particles from fluid in pipelines and provide inexpensive protection for costly pumps, meters, valves, traps, turbines and compressors.

FEATURES

- Machined seat assures perfect fit for screen
- Blowdown connection & easily removable stainless steel cylindrical screens for easy maintenance
- Durable cast iron body

INSTALLATION

The strainer should be installed in the flow direction as indicated on the body in either a vertical down or horizontal pipeline. The strainer must be accessible for periodic cleaning.

DIMENSIONS & WEIGHTS – inches / pounds

Size/Connection	Model	A	B	Blowdown NPT	Weight (lbs)	Screen Opening
1/2" NPT	WCIY-12-020S250	3 ³ / ₁₆	2 ¹ / ₁₆	3/8	1.5	0.033
3/4" NPT	WCIY-13-020S250	3 ³ / ₄	2 ⁷ / ₁₆	3/8	2.5	0.033
1" NPT	WCIY-14-020S250	4	2 ⁷ / ₁₆	3/4	3	0.033
1 1/4" NPT	WCIY-15-020S250	5	3 ³ / ₈	3/4	5.5	0.033
1 1/2" NPT	WCIY-16-020S250	5 ³ / ₄	3 ⁷ / ₈	1	8	0.033
2" NPT	WCIY-17-020S250	7	4 ³ / ₄	1 1/2	13	0.033
2" 125# FLG	WCIY-17-020F125	8 ⁷ / ₈	6	1/2	22	0.033
2" 250# FLG	WCIY-17-020F250	8 ⁷ / ₈	6 ¹ / ₂	1/2	28	0.033
2 1/2" NPT	WCIY-18-045S250	9 ¹ / ₄	5 ⁷ / ₈	1 1/2	22	0.045
2 1/2" 125# FLG	WCIY-18-045F125	10 ³ / ₄	8	1	35	0.045
2 1/2" 250# FLG	WCIY-18-045F250	11 ¹ / ₄	7	1	38	0.045
3" NPT	WCIY-19-045S250	10	6	1 1/2	30	0.045
3" 125# FLG	WCIY-19-045F125	11 ¹ / ₂	8 ³ / ₄	1	43	0.045
3" 250# FLG	WCIY-19-045F250	11 ⁵ / ₈	8	1	54	0.045
4" 125# FLG	WCIY-20-045F125	13 ⁷ / ₈	9 ¹ / ₂	1 1/4	75	0.045
4" 250# FLG	WCIY-20-045F250	14 ¹ / ₂	10 ³ / ₄	1	110	0.125

MATERIALS

Body	Cast Iron, A126 CLASS B
Plug	Cast Iron, A126 CLASS B
Cover	Cast Iron, A126 CLASS B
*Screen	Stainless Steel
*Gasket	Blue Guard

*Recommended spare parts.