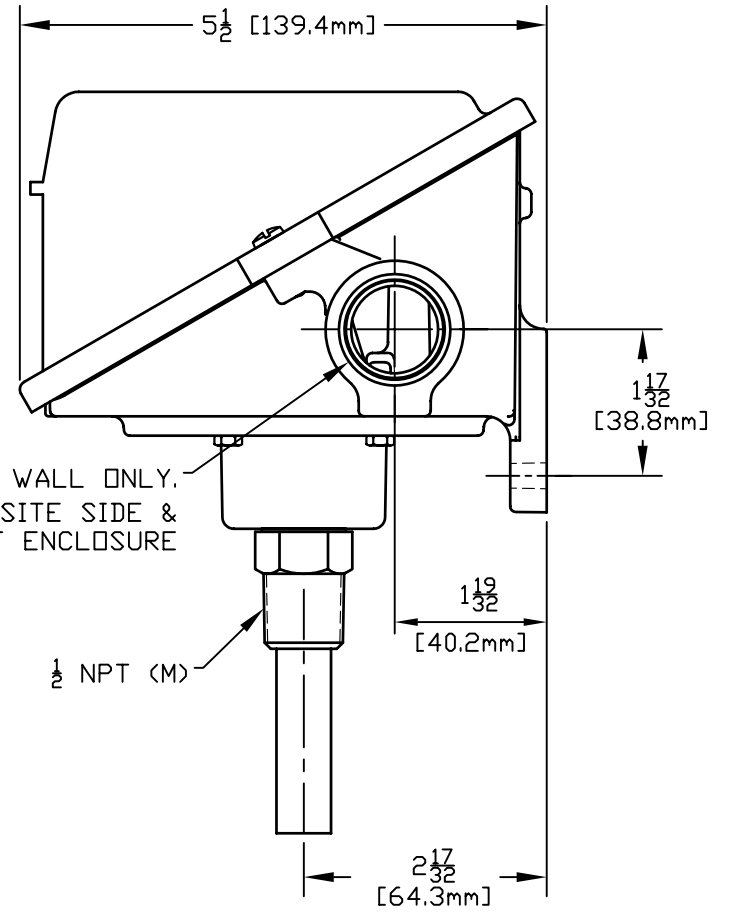
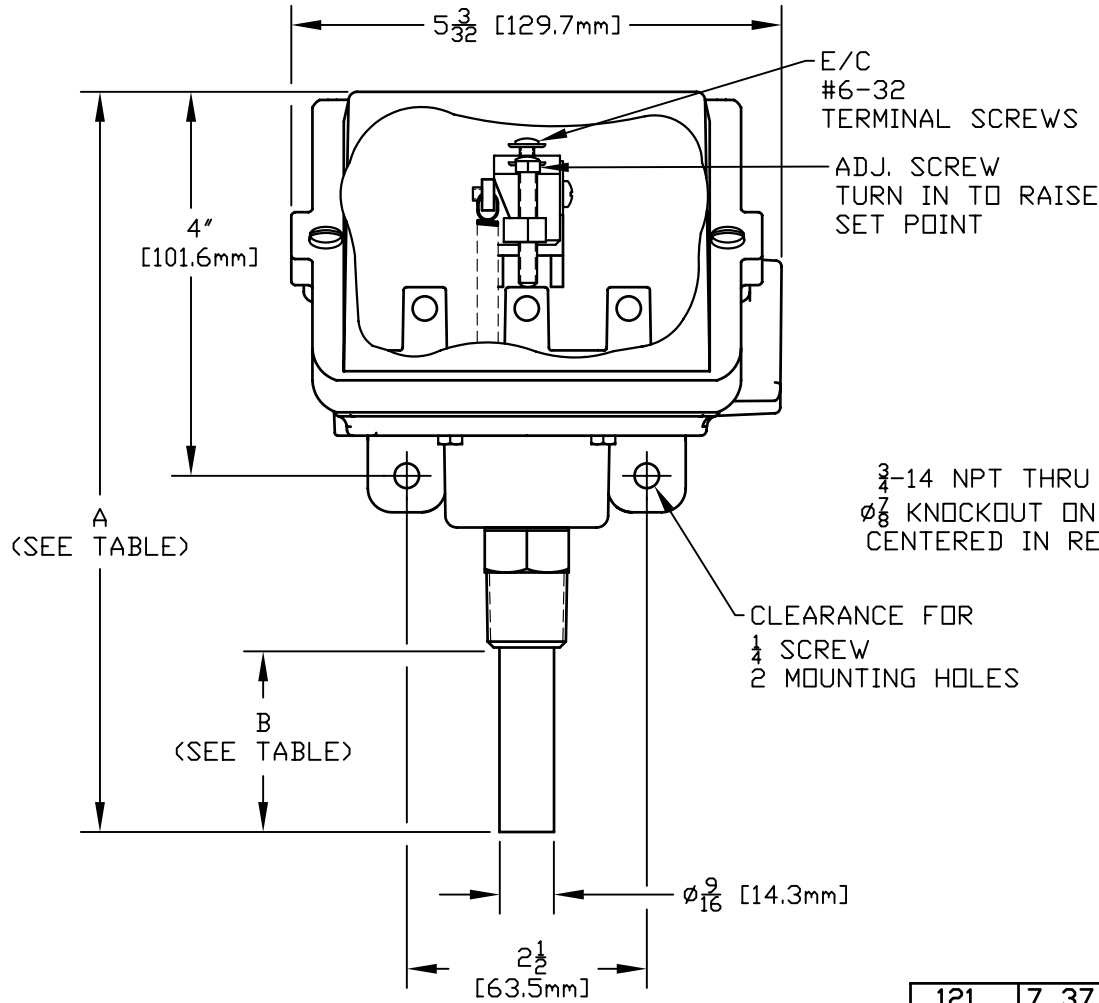


UL LISTED, CSA CERTIFIED, NEMA 4.
I & M SHEET IMT400.
FM APPROVED.

A-12306




121	7 37/64 [192.5mm]	1 25/32 [45.2mm]	200 TO 425	95 TO 215
120	7 23/32 [196.1mm]	1 59/64 [48.8mm]	0 TO 225	-15 TO 105
MODEL NO.	DIM. A	DIM. B	°F	°C
ADJUSTABLE RANGE				

SYM	DESCRIPTION	DATE	DWN	APPD
S	DIM. A WAS 7 3/8 [187.3 mm] FOR MODELS 120/121. DIM. B WAS 1 7/8 [47.8 mm] FOR MODELS 120/121. REMOVED AGENCY STAMP. ECN# E3009.	1/13/09	PLW	RAM
R	REDRAWN. UPDATED ENCLOSURE. ECN#E0821	6-28-04	S.R.	HN
REVISIONS				

ORIGINAL DATE	11-6-86	TITLE	C400 120 & 121
DRWN	A. EBALO		
CHKD	P. WEILER		
APPD	A. MINASSIAN		
UNLESS OTHERWISE SPECIFIED DIMENSIONS ARE IN INCHES			
DO NOT SCALE THIS DRAWING		SCALE	1:2

DF001D



UNITED ELECTRIC
CONTROLS COMPANY
WATERTOWN * MASSACHUSETTS

DWG NO
A-12306