



Pneumatically operated 2/2 way valve with PTFE bellows

- High Medium resistance
- Easy to clean for hygienic applications
- Long service life
- Compact



Product variants described in the data sheet may differ from the product presentation and description.

Can be combined with



Type 8652

AirLINE - the valve island optimised for process automation



Type 8036

Inline flowmeter with paddle wheel, ELEMENT design



Type 2380

2/2 way Bellow Control Valve

Type description

The valve consists of a pneumatically piston actuator, a stainless steel body and PTFE bellows. The PTFE bellows are used for the separation of the medium. The materials used and the internal contours are simple to clean (CIP and SIP). The valve is suitable for food technology. The modular structure permits configuration with different armatures and customized port connectors. The pneumatic actuator is servo assisted by a pilot valve, a valve block or similar.

Table of contents

1. General technical data	3
2. Approvals	4
3. Materials	4
3.1. Chemical Resistance Chart – Bürkert resistApp.....	4
3.2. Material specifications	4
4. Dimensions	5
4.1. Actuator	5
4.2. Flange body	5
4.3. Threaded body.....	6
4.4. Welded body.....	6
5. Performance specifications	7
5.1. Pressure temperature diagram.....	7
6. Ordering information	7
6.1. Bürkert eShop – Easy ordering and quick delivery.....	7
6.2. Bürkert product filter.....	7

1. General technical data

Product properties	
Dimensions	Detailed information can be found in chapter "4. Dimensions" on page 5.
Material	
Body	Stainless steel 316Ti (1.4571) for flange 316L (1.4404)
Actuator	Stainless steel 304L (1.4301)
Bellows	Advanced PTFE
Wetted materials	Stainless steel 316Ti/316L, advanced PTFE
Flow direction	Below seat (pressure on port connection 2)
Nominal diameter	DN10, DN6 (flange), others on request
Actuator size	Piston diameter 32 mm
Standard surface quality	Ra=0.76 µm
Performance data	
Pilot air pressure	4.5...10 bar
Seat leakage	5 N _m /min, measured with air, 8 bar below seat
Pressure range	-0.9...8 bar
Medium data	
Medium	Neutral to aggressive gases and liquids
Medium temperature	See "5.1. Pressure temperature diagram" on page 7
Control medium	Neutral gases, air
Process/Port connection & communication	
Port connection	Thread, weld, flange (others on request)
Pilot air ports	M5, G 1/8
Environment and installation	
Installation position	Preferably actuator upwards
Ambient temperature	-10...90 °C

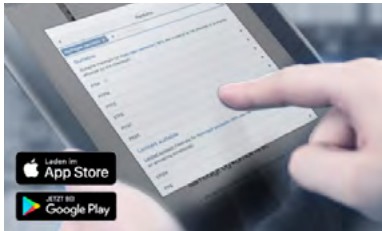
2. Approvals

Approvals	Description
	ATEX/IECEX^{1.)} EPS 18 ATEX 2 008 X II 2G Ex h IIC T4 Gb/II 2D Ex h IIIC T135 °C Db IECEX EPS 18.0007X Ex h IIC T4 Gb/Ex h IIIC T135 °C Db
Certificates	Description
FDA	Diaphragms comply with the Code of Federal Regulations published by the FDA (Food and Drug Administration, USA).
Standards	Description
	Diaphragms are acc. to USP Class VI tested.
	EC Regulation 1935/2004/EG

1.) Only in conjunction with variable code "PX51"

3. Materials

3.1. Chemical Resistance Chart – Bürkert resistApp

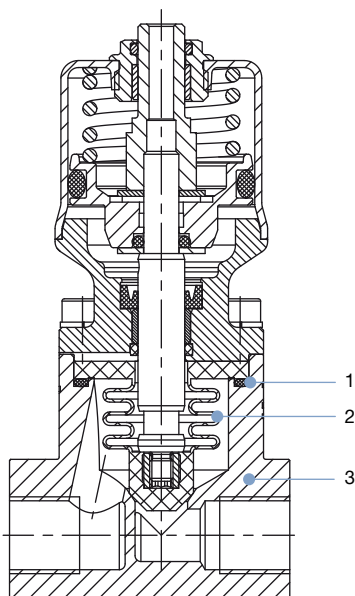


Bürkert resistApp – Chemical Resistance Chart

You want to ensure the reliability and durability of the materials in your individual application case? Verify your combination of media and materials on our website or in our resistApp.

Start Chemical Resistance Check

3.2. Material specifications



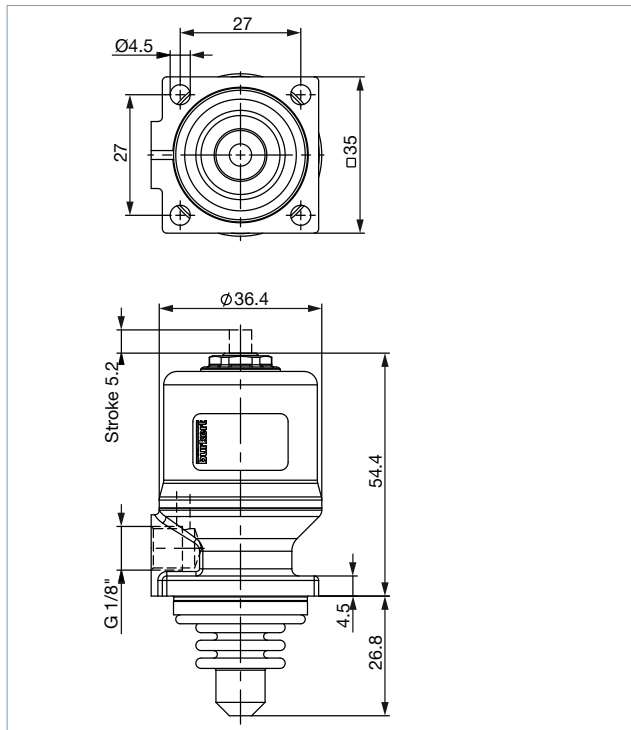
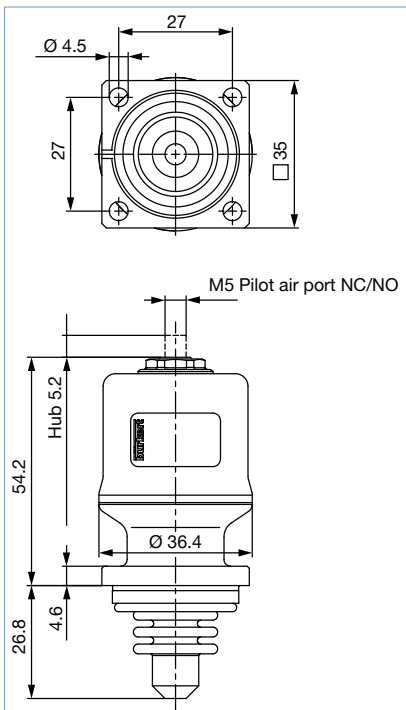
No.	Element	Material
1	O-Ring	FKM (not in contact with the medium)
2	Bellows	Advanced PTFE
3	Body	Stainless steel 316L (1.4571)

4. Dimensions

4.1. Actuator

Note:

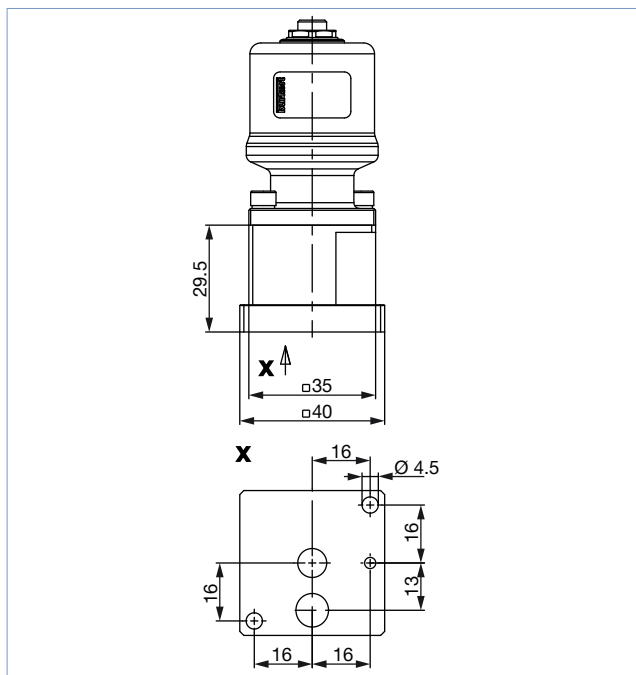
Dimensions in mm



4.2. Flange body

Note:

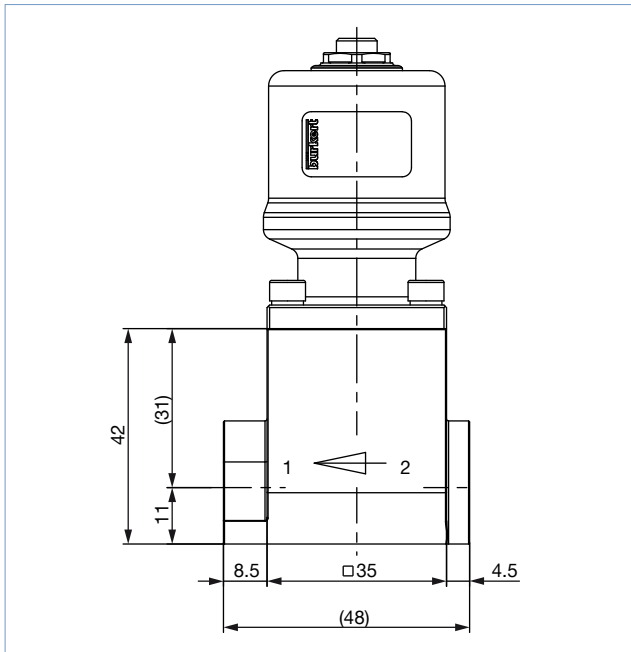
Dimensions in mm



4.3. Threaded body

Note:

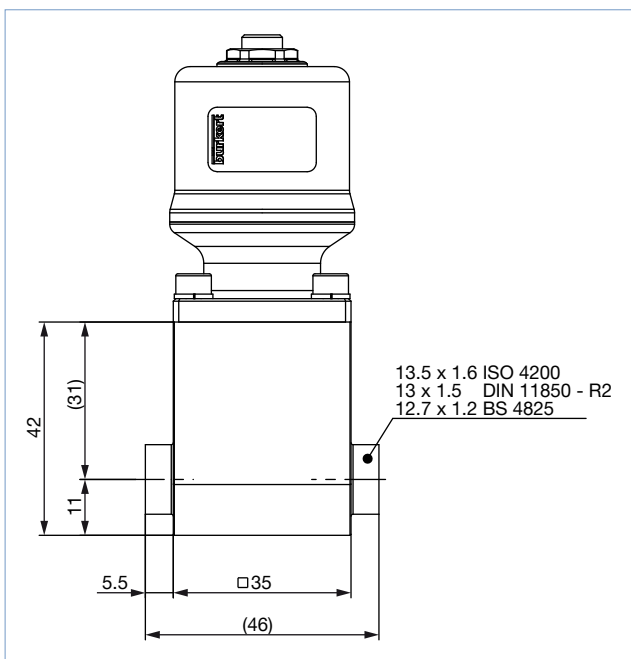
Dimensions in mm



4.4. Welded body

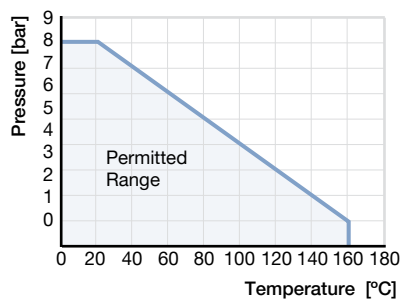
Note:

Dimensions in mm



5. Performance specifications

5.1. Pressure temperature diagram



6. Ordering information

6.1. Bürkert eShop – Easy ordering and quick delivery



Bürkert eShop – Easy ordering and fast delivery

You want to find your desired Bürkert product or spare part quickly and order directly? Our online shop is available for you 24/7. Sign up and enjoy all the benefits.

[Order online now](#)

6.2. Bürkert product filter



Bürkert product filter – Get quickly to the right product

You want to select products comfortably based on your technical requirements? Use the Bürkert product filter and find suitable articles for your application quickly and easily.

[Try out our product filter](#)

Bürkert – Close to You

For up-to-date addresses
please visit us at
www.burkert.com

DTS 1000526613 EN Version: A Status: RL (released | freigegeben | validé) printed: 18.11.2021

