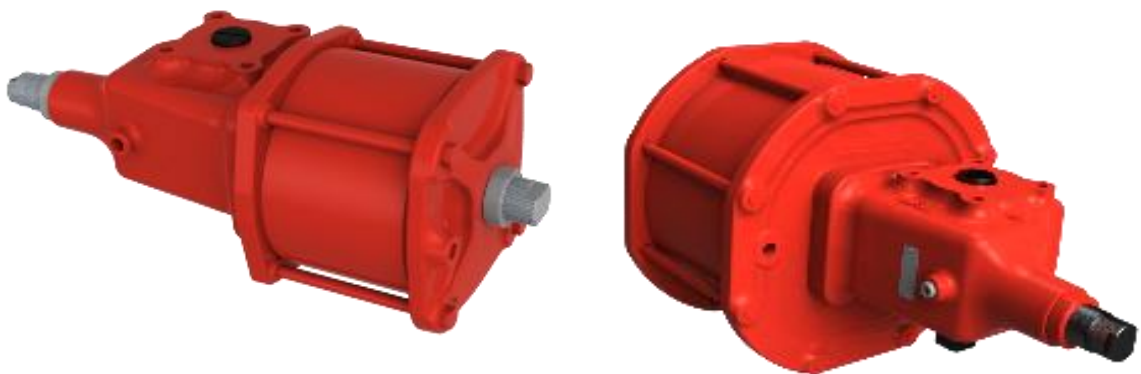


rotork[®]

Fluid Systems

CP Double Acting Series Actuators

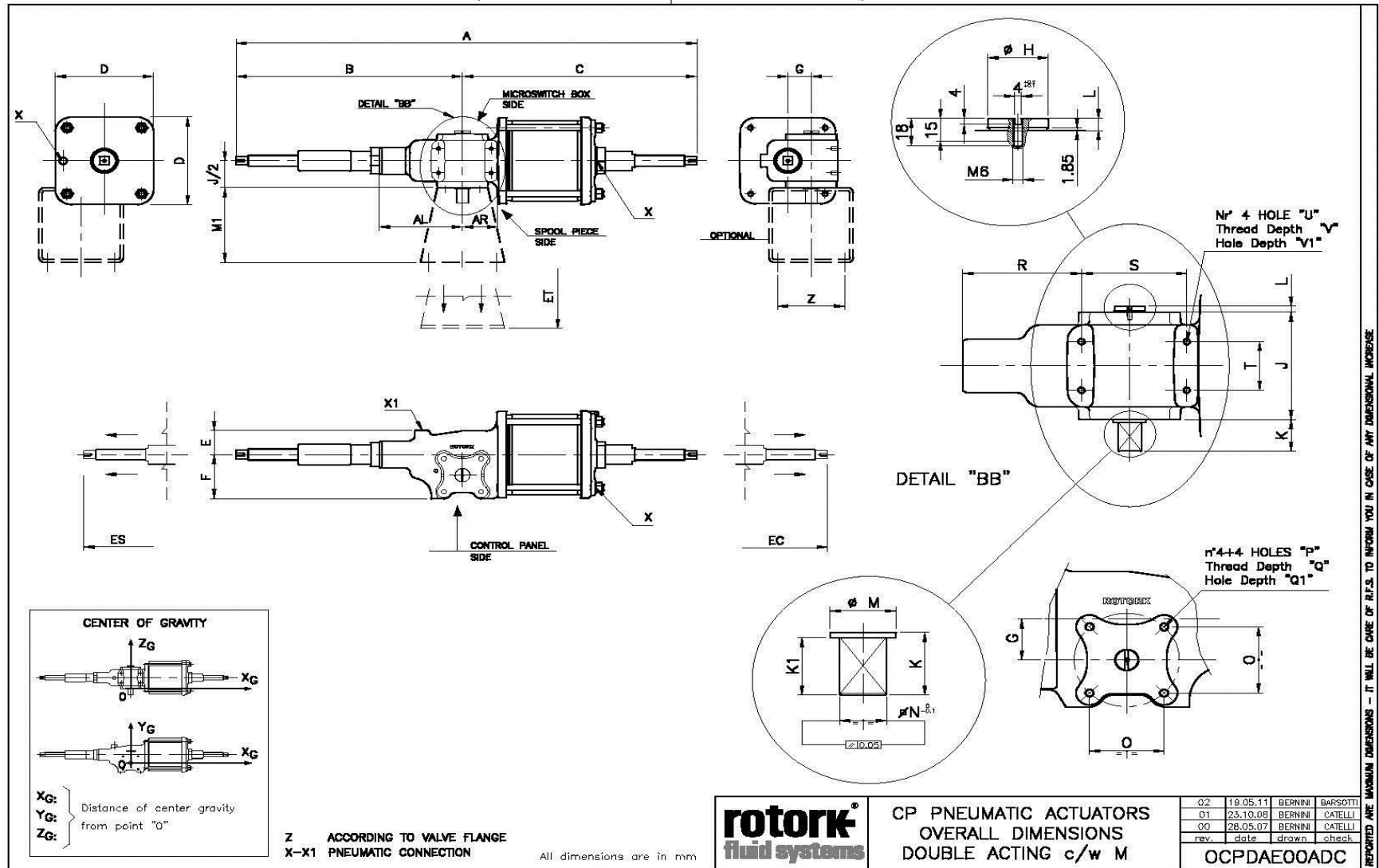
Dimension Data (metric)



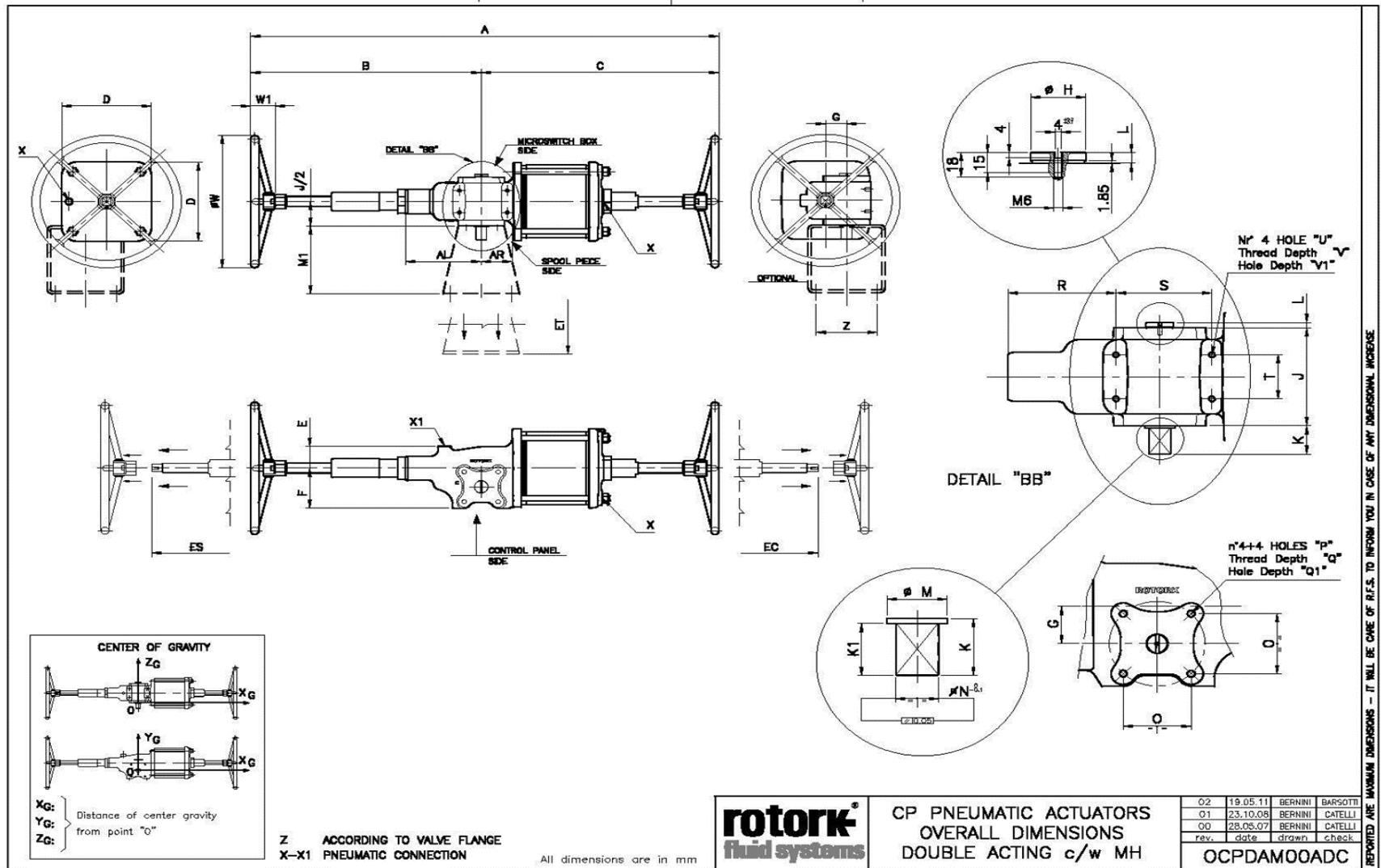
Date 16/05/2018

Revision 0

ACTUATOR MODEL	ISO 5211 FLANGE TYPE	ACTUATOR OVERALL DIMENSIONS (mm)							CENTER BODY (mm)		SHAFT OVERALL DIMENSIONS (mm) (OPTIONAL)							CLEARANCE FOR DISASSEMBLY (mm)			CONTROL SIDE COUPLING DIMENSIONS (mm)					SPOOL (mm) (OPTIONAL)			CONTROL PANEL SIDE COUPLING DIMENSIONS (mm)						DISPL. (l)	K.X1 (NPTF)	WEIGHT (kg)	CENTER OF GRAVITY		
		A	B	C	D	E	F	G	AL	AR	H	L	J	K	K1	M	N	ES	EC	ET	O	P	Q	Q1	J2	M1	WEIGHT	R	S	T	U	V	V1	Xg				Yg	Zg	
CP-D-035-080°A	F07	411	167	244	112	43	71.5	35	117	52	19	6.5	98.5	27	24	22	16	60	60	100	49.5	M8	10.5	13	49.25	100	5	80	80	40	M10	10	13	1.0	1/4"	10	63	27	49	
CP-D-035-100°A	F07	413	167	246	127	43	71.5	35	117	49	19	6.5	98.5	27	24	22	16	60	60	100	49.5	M8	10.5	13	49.25	100	5	80	80	40	M10	10	13	1.2	1/4"	12	70	29	49	
CP-D-035-130°A	F07	411	167	244	198	43	71.5	35	117	52	19	6.5	98.5	27	24	22	16	60	60	100	49.5	M8	10.5	13	49.25	100	5	80	80	40	M10	10	13	1.7	1/4"	15	85	30	49	
CP-D-035-160°A	F07	411	167	244	174	43	71.5	35	117	52	19	6.5	98.5	27	24	22	16	60	60	100	49.5	M8	10.5	13	49.25	100	5	80	80	40	M10	10	13	1.9	1/4"	16	93	30	49	
CP-D-045-120°A	F10	523	208	315	158.5	53	100	45	139	69	28	8	122.5	32	25	22	22	70	80	150	72.1	M10	15	18	61.25	150	7	94.5	100	65	M10	15	18	2.3	1/4"	22	78	33	61	
CP-D-045-140°A	F10	525	208	317	174	53	100	45	139	66	28	8	122.5	32	25	22	22	70	80	150	72.1	M10	15	18	61.25	150	7	94.5	100	65	M10	15	18	2.8	1/4"	24	85	35	61	
CP-D-045-180°A	F10	523	208	315	200.5	53	100	45	139	69	28	8	122.5	32	25	22	22	70	80	150	72.1	M10	15	18	61.25	150	7	94.5	100	65	M10	15	18	4.0	1/4"	31	107	37	58	
CP-D-045-200°A	F10	523	208	315	233.5	53	100	45	139	66	28	8	122.5	32	25	22	22	70	80	150	72.1	M10	15	18	61.25	150	7	94.5	100	65	M10	15	18	4.6	1/4"	36	124	38	61	
CP-D-055-160°A	F12	662	275	387	194	64	118	55	198	83	36	8	144	42	38.5	39	28	100	100	200	88.4	M12	18	22	72	200	12	141	115	65	M10	15	18	8.8	1/2"	41	98	42	72	
CP-D-055-200°A	F12	662	275	387	233.5	64	118	55	198	81	36	8	144	42	38.5	39	28	100	100	200	88.4	M12	18	22	72	200	12	141	115	65	M10	15	18	6.4	1/2"	48	113	44	72	
CP-D-055-250°A	F12	662	275	387	291	64	118	55	198	83	36	8	144	42	38.5	39	28	100	100	200	88.4	M12	18	22	72	200	12	141	115	65	M10	15	18	8.9	1/2"	64	138	47	72	
CP-D-055-280°A	F12	662	275	387	325	64	118	55	198	83	36	8	144	42	38.5	39	28	100	100	200	88.4	M12	18	22	72	200	12	141	115	65	M10	15	18	10.7	1/2"	76	152	48	72	
CP-D-065-200°A	F16	753	306	447	291	79	152	65	224	124	48.5	8	204	55	50	55	44.5	100	100	200	116.6	M20	21	22	102	200	20	161	150	80	M12	18	21	11.1	1/2"	88	129	49	101	
CP-D-065-280°A	F16	753	306	447	325	79	152	65	224	124	48.5	8	204	55	50	55	44.5	100	100	200	116.6	M20	21	22	102	200	20	161	150	80	M12	18	21	13.4	1/2"	99	144	51	101	
CP-D-065-330°A	F16	753	306	447	426.5	79	152	65	224	124	48.5	8	204	55	50	55	44.5	100	100	200	116.6	M20	21	22	102	200	20	161	150	80	M12	18	21	17.7	1/2"	120	168	53	102	
CP-D-065-380°A	F16	835	306	529	446	79	152	65	224	124	48.5	8	204	55	50	55	44.5	100	100	200	116.6	M20	21	22	102	200	20	161	150	80	M12	18	21	19.5	1/2"	150	192	56	103	



ACTUATOR MODEL	ISO 5211 FLANGE TYPE	ACTUATOR OVERALL DIMENSIONS (mm)								CENTER BODY (mm)		SHAFT OVERALL DIMENSIONS (mm) (OPTIONAL)								CLEARANCE FOR DISASSEMBLY (mm)			CONTROL SIDE COUPLING DIMENSIONS (mm)				SPOOL (mm) (OPTIONAL)			CONTROL PANEL SIDE COUPLING DIMENSIONS (mm)						DISPL. (l)	X.X1 (NPTF)	WEIGHT (kg)	CENTER OF GRAVITY		
		A	B	C	D	E	F	G	AL	AR	H	L	J	K	K1	M	N	ES	EC	ET	O	P	Q	Q1	∅2	M1	WEIGHT	R	S	T	U	V	V1	Xg	Yg				Zg		
CP-D-035-080*A M	F07	716	344	372	112	43	71.5	35	117	52	19	6.5	98.5	27	24	22	16	80	145	100	49.5	M8	10.5	13	49.25	100	5	80	80	40	M10	10	13	1.0	1/4"	12	63	27	49		
CP-D-035-100*A M	F07	718	344	374	127	43	71.5	35	117	49	19	6.5	98.5	27	24	22	16	80	145	100	49.5	M8	10.5	13	49.25	100	5	80	80	40	M10	10	13	1.2	1/4"	14	70	29	49		
CP-D-035-160*A M	F07	716	344	372	163	43	71.5	35	117	52	19	6.5	98.5	27	24	22	16	80	145	100	49.5	M8	10.5	13	49.25	100	5	80	80	40	M10	10	13	1.7	1/4"	17	85	30	49		
CP-D-045-140*A M	F10	903	431	472	158.5	53	100	45	139	69	28	8	122.5	32	25	32	22	90	175	150	72.1	M10	15	18	61.25	150	7	94.5	100	65	M10	15	18	2.3	1/4"	25	78	33	61		
CP-D-045-160*A M	F10	905	431	474	174	53	100	45	139	66	28	8	122.5	32	25	32	22	90	175	150	72.1	M10	15	18	61.25	150	7	94.5	100	65	M10	15	18	2.8	1/4"	27	85	35	61		
CP-D-045-180*A M	F10	903	431	472	209.5	53	100	45	139	69	28	8	122.5	32	25	32	22	90	175	150	72.1	M10	15	18	61.25	150	7	94.5	100	65	M10	15	18	4.0	1/4"	33	107	37	58		
CP-D-055-200*A M	F10	903	431	472	233.5	53	100	45	139	66	28	8	122.5	32	25	32	22	90	175	150	72.1	M10	15	18	61.25	150	7	94.5	100	65	M10	15	18	4.6	1/4"	38	124	38	61		
CP-D-055-160*A M	F12	1097	538	559	194	64	118	55	198	83	36	8	144	42	38.5	39	28	120	225	200	88.4	M12	18	22	72	200	12	141	115	65	M10	15	18	4.8	1/2"	44	98	42	72		
CP-D-055-200*A M	F12	1097	538	559	233.5	64	118	55	198	81	36	8	144	42	38.5	39	28	120	225	200	88.4	M12	18	22	72	200	12	141	115	65	M10	15	18	6.4	1/2"	51	113	44	72		
CP-D-055-250*A M	F12	1097	538	559	291	64	118	55	198	83	36	8	144	42	38.5	39	28	120	225	200	88.4	M12	18	22	72	200	12	141	115	65	M10	15	18	8.9	1/2"	67	138	47	72		
CP-D-055-280*A M	F12	1097	538	559	325	64	118	55	198	83	36	8	144	42	38.5	39	28	120	225	200	88.4	M12	18	22	72	200	12	141	115	65	M10	15	18	10.7	1/2"	79	152	48	72		
CP-D-065-250*A M	F16	1240	596	644	291	79	152	65	224	124	48.5	8	204	55	50	55	44.5	120	250	200	116.6	M20	21	22	102	200	20	161	150	80	M12	18	21	11.3	1/2"	93	129	49	101		
CP-D-065-315*A M	F16	1240	596	644	335	79	152	65	224	124	48.5	8	204	55	50	55	44.5	120	250	200	116.6	M20	21	22	102	200	20	161	150	80	M12	18	21	13.4	1/2"	105	144	51	101		
CP-D-065-335*A M	F16	1240	596	644	426.5	79	152	65	224	124	48.5	8	204	55	50	55	44.5	120	250	200	116.6	M20	21	22	102	200	20	161	150	80	M12	18	21	17.7	1/2"	126	168	53	102		
CP-D-065-385*A M	F16	1324	596	728	446	79	152	65	224	124	48.5	8	204	55	50	55	44.5	120	250	200	116.6	M20	21	22	102	200	20	161	150	80	M12	18	21	19.5	1/2"	155	192	56	103		



ACTUATOR MODEL	ISO 5211 FLANGE TYPE	ACTUATOR OVERALL DIMENSIONS (mm)										CENTER BODY (mm)		SHAFT OVERALL DIMENSIONS (mm) (OPTIONAL)								CLEARANCE FOR DISASSEMBLY (mm)			CONTROL SIDE COUPLING DIMENSIONS (mm)					SPOOL (mm) (OPTIONAL)			CONTROL PANEL SIDE COUPLING DIMENSIONS (mm)						DISPL (l)	X-X1 (NPTF)	WEIGH T (kg)	CENTER OF GRAVITY		
		A	B	C	D	E	F	G	ØW	W1	AL	AR	H	L	J	K	K1	M	N	ES	EC	ET	O	P	Q	Q1	J2	M1	WEIGHT	R	S	T	U	V	V1	Xg	Yg	Zg						
																						ØS	ØC	ØT	ØO	ØP	ØQ	ØQ1	ØJ2	ØM1	WEIGHT	ØR	ØS	ØT	ØU	ØV	ØV1							
CPD-035-080°A MH	F07	870	421	449	112	43	71.5	35	220	76	117	52	19	6.5	98.5	27	24	22	16	80	145	100	49.5	M8	10.5	13	49.25	100	5	80	80	40	M10	10	13	1.0	1/4"	32	63	27	49			
CPD-035-100°A MH	F07	872	421	451	127	43	71.5	35	220	76	117	49	19	6.5	98.5	27	24	22	16	80	145	100	49.5	M8	10.5	13	49.25	100	5	80	80	40	M10	10	13	1.2	1/4"	34	70	29	49			
CPD-035-150°A MH	F07	870	421	449	163	43	71.5	35	220	76	117	52	19	6.5	98.5	27	24	22	16	80	145	100	49.5	M8	10.5	13	49.25	100	5	80	80	40	M10	10	13	1.7	1/4"	37	85	30	49			
CPD-035-180°A MH	F07	870	421	449	174	43	71.5	35	220	76	117	52	19	6.5	98.5	27	24	22	16	80	145	100	49.5	M8	10.5	13	49.25	100	5	80	80	40	M10	10	13	1.9	1/4"	38	93	30	49			
CPD-045-120°A MH	F10	1031	495	536	158.5	53	100	45	390	64	139	69	28	8	122.5	32	25	32	22	90	175	150	72.1	M10	15	18	61.25	150	7	94.5	100	65	M10	15	18	2.4	1/4"	35	78	33	61			
CPD-045-140°A MH	F10	1031	495	538	174	53	100	45	390	64	139	66	28	8	122.5	32	25	32	22	90	175	150	72.1	M10	15	18	61.25	150	7	94.5	100	65	M10	15	18	2.5	1/4"	37	85	35	61			
CPD-045-180°A MH	F10	1031	495	536	209.5	53	100	45	390	64	139	69	28	8	122.5	32	25	32	22	90	175	150	72.1	M10	15	18	61.25	150	7	94.5	100	65	M10	15	18	4.0	1/4"	33	107	37	58			
CPD-045-200°A MH	F10	1031	495	536	233.5	53	100	45	390	64	139	66	28	8	122.5	32	25	32	22	90	175	150	72.1	M10	15	18	61.25	150	7	94.5	100	65	M10	15	18	4.6	1/4"	38	124	38	61			
CPD-055-160°A MH	F12	1182	580	602	194	64	118	55	390	64	198	83	36	8	144	42	38.5	39	28	120	225	200	88.4	M12	18	22	72	200	12	141	115	65	M10	15	18	4.8	1/2"	44	98	42	72			
CPD-055-200°A MH	F12	1182	580	602	233.5	64	118	55	390	64	198	81	36	8	144	42	38.5	39	28	120	225	200	88.4	M12	18	22	72	200	12	141	115	65	M10	15	18	6.4	1/2"	51	113	44	72			
CPD-055-250°A MH	F12	1182	580	602	291	64	118	55	390	64	198	83	36	8	144	42	38.5	39	28	120	225	200	88.4	M12	18	22	72	200	12	141	115	65	M10	15	18	8.9	1/2"	67	138	47	72			
CPD-065-280°A MH	F16	1346	649	697	325	64	118	55	390	64	198	83	36	8	144	42	38.5	39	28	120	225	200	88.4	M12	18	22	72	200	12	141	115	65	M10	15	18	10.7	1/2"	79	152	48	72			
CPD-065-250°A MH	F16	1346	649	697	291	79	152	65	600	53	224	124	48.5	8	204	55	50	55	44.5	120	250	200	116.6	M20	21	22	102	200	20	161	150	80	M12	18	21	11.3	1/2"	93	129	49	101			
CPD-065-280°A MH	F16	1346	649	697	325	79	152	65	600	53	224	124	48.5	8	204	55	50	55	44.5	120	250	200	116.6	M20	21	22	102	200	20	161	150	80	M12	18	21	13.4	1/2"	105	144	51	101			
CPD-065-335°A MH	F16	1346	649	697	436.5	79	152	65	600	53	224	124	48.5	8	204	55	50	55	44.5	120	250	200	116.6	M20	21	22	102	200	20	161	150	80	M12	18	21	17.7	1/2"	126	168	53	102			
CPD-065-385°A MH	F16	1427	649	778	446	79	152	65	600	53	224	124	48.5	8	204	55	50	55	44.5	120	250	200	116.6	M20	21	22	102	200	20	161	150	80	M12	18	21	19.5	1/2"	155	192	56	103			