

## I/PAC – Type 595XP Integrated Process Air Control Assembly

### INTRODUCTION

I/PAC (Integrated Process Air Control) – Type 595XP assembly consists of the following pre-assembled package:

#### **Type-595XP Explosion-proof I/P transducer, Type-330 Air Filter Regulator and gauge.**

The I/PAC assembly is designed for air service only.

For individual unit specifications please see individual unit IOM (Installation, Operation and Maintenance Instructions).

### INSTALLATION

- 1) Mount per desired option below.
- 2) Connect supply air to Type-330 filter regulator.
- 3) Connect downstream air to I/P transducer (see unit specific IOM).
- 4) Connect electrical connections to I/P transducer (see unit specific IOM).
- 5) Set Type-330 filter regulator to desired output pressure.
- 6) Turn on supply air before giving units electrical signal.

### MOUNTING OPTIONS

The I/PAC integrated assembly comes complete with all mounting hardware to facilitate either direct mount onto actuator yoke or pipe mount, either **direct** or **offset**. The mounting hardware comes labeled in individual kits for easy identification and assembly.

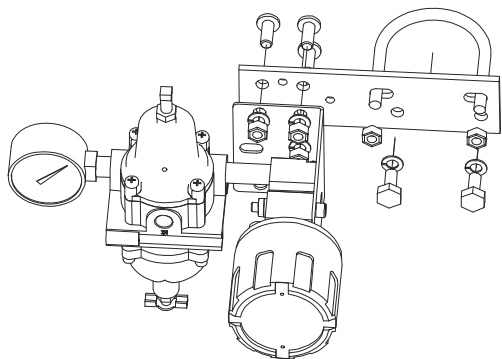
#### Mounting Kits

I/PAC Yoke Mounting Kit PN 448-542-023

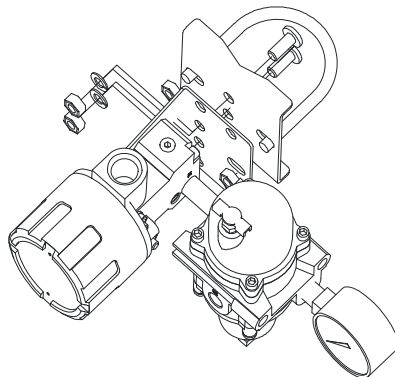
I/PAC Pipe Mounting Kit PN 448-542-021

#### Type-595XP / Type-330

YOKE MOUNT OR OFFSET PIPE MOUNT



DIRECT PIPE MOUNT



### LIMITED WARRANTY & DISCLAIMER

ControlAir, Inc. products are warranted to be free from defects in materials and workmanship for a period of one year from the date of manufacture, provided said products are used according to ControlAir, Inc. recommended usages. ControlAir, Inc.'s liability is limited to repair of, refund of purchase price paid for, or replacement in kind of, at ControlAir, Inc.'s sole option, any products proved defective. ControlAir, Inc. reserves the right to discontinue manufacture of any product or change product materials, design or specifications without notice. Note: ControlAir does not assume responsibility for the selection, use, or maintenance of any product. Responsibility for the proper selection, use, and maintenance of any ControlAir product remains solely with the purchaser and end user.

**These products are intended for use in industrial compressed air systems only. Do not use these products where pressures and temperatures can exceed those listed under Specifications.**

**Before using these products with fluids other than air, for non-industrial applications, life-support systems, or other applications not within published specifications, consult ControlAir, Inc.**

## I/PAC – Type 950XP Integrated Process Air Control Assembly

### INTRODUCTION

I/PAC (Integrated Process Air Control) – Type 950XP assembly consists of the following pre-assembled package:

#### **Type-950XP Explosion-proof I/P transducer, Type-330 Air Filter Regulator and gauge.**

The I/PAC assembly is designed for air or gas service only.

For individual unit specifications please see individual unit IOM (Installation, Operation and Maintenance Instructions).

### INSTALLATION

- 1) Mount per desired option below.
- 2) Connect supply air to Type-330 filter regulator.
- 3) Connect downstream air to I/P transducer (see unit specific IOM).
- 4) Connect electrical connections to I/P transducer (see unit specific IOM).
- 5) Set Type-330 filter regulator to desired output pressure.
- 6) Turn on supply air before giving units electrical signal.

### MOUNTING OPTIONS

The I/PAC integrated assembly comes complete with all mounting hardware to facilitate either direct mount onto actuator yoke or pipe mount, either **direct** or **offset**. The mounting hardware comes labeled in individual kits for easy identification and assembly.

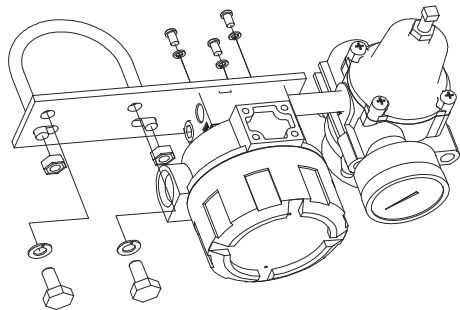
#### Mounting Kits

I/PAC Yoke Mounting Kit PN 448-542-023

I/PAC Pipe Mounting Kit PN 448-542-024

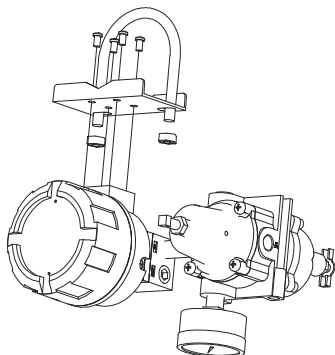
#### Type-950XP / Type-330

##### YOKE MOUNT OR OFFSET PIPE MOUNT



##### DIRECT PIPE MOUNT

NOTE: ROTATE T330 90°



### LIMITED WARRANTY & DISCLAIMER

ControlAir, Inc. products are warranted to be free from defects in materials and workmanship for a period of one year from the date of manufacture, provided said products are used according to ControlAir, Inc. recommended usages. ControlAir, Inc.'s liability is limited to repair of, refund of purchase price paid for, or replacement in kind of, at ControlAir, Inc.'s sole option, any products proved defective. ControlAir, Inc. reserves the right to discontinue manufacture of any product or change product materials, design or specifications without notice. Note: ControlAir does not assume responsibility for the selection, use, or maintenance of any product. Responsibility for the proper selection, use, and maintenance of any ControlAir product remains solely with the purchaser and end user.

**These products are intended for use in industrial compressed air and gas systems only. Do not use these products where pressures and temperatures can exceed those listed under Specifications.**

**Before using these products with fluids other than air, for non-industrial applications, life-support systems, or other applications not within published specifications, consult ControlAir, Inc.**

## TYPE 330 Pressure Regulator

### INTRODUCTION

These regulators are designed for air or gas service only. Maximum allowable inlet pressure is 250 psi. Operating temperatures are 0 to 160°F. The Type-330 has low capacity internal relief which provides very limited downstream over pressure protection. Note: Non-relieving version does not provide internal relief. To avoid exceeding outlet pressure limits in service, a pressure-relieving or pressure-limiting device should be provided.

### INSTALLATION

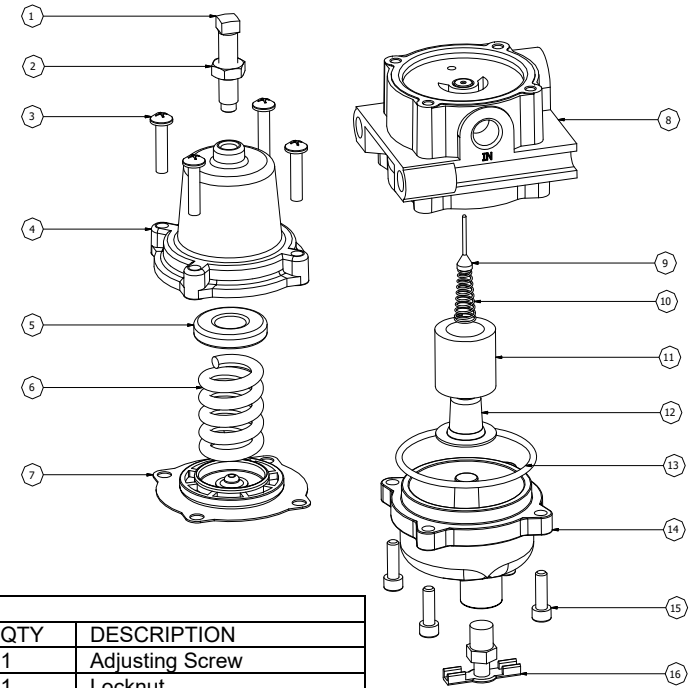
Install the regulator as close as possible to the instrument or tool it is to service. For best filter drainage orient the drain valve so that it is at the lowest point on the dripwell housing. The words "IN" and "OUT" are cast into the body to indicate the direction of flow.

### OPERATION

Prior to turning on supply air, back off adjusting screw until there is no compression of the range spring. After turning supply pressure on, turn the adjusting screw clockwise to increase outlet pressure.

### MAINTENANCE

- 1) To remove condensate, slowly open drain valve and bleed accumulated liquid.
- 2) To clean filter element
  - a. Shut off supply air
  - b. Drain condensate
  - c. Remove four corner bolts from bottom of unit
  - d. Remove dripwell housing and filter
  - e. Clean parts and reassemble in reverse order
- 3) To install replacement parts
  - a. Order kit as described in exploded view below
  - b. Shut off supply air. Back out adjusting screw
  - c. Remove four corner bolts from bottom of the unit and four screws on top and remove all parts.
  - d. Replace all parts that show excessive wear
  - e. Clean all parts and replace in reverse order



Parts List		
ITEM	QTY	DESCRIPTION
1	1	Adjusting Screw
2	1	Locknut
3	4	Bonnet Build Screw
4	1	Bonnet
5	1	Spring Guide
6	1	Range Spring
7	1	Diaphragm Assembly
8	1	Body
9	1	Pintle Assembly
10	1	Pintle Spring
11	1	Filter
12	1	Filter Retainer Assembly
13	1	Dripwell O-ring
14	1	Dripwell
15	4	Dripwell Build Screw
16	1	Drain Valve

Repair Kits: Part No.  
Relieving: 449-871-100

**WARNING:** The materials of the Type-330 are compatible with sweet natural gas. The user should be warned, however, that the Type-330 regulator may vent some gas to the atmosphere. In hazardous or flammable service, vented gas may accumulate and cause personal injury, death, or property damage due to fire or explosion. If regulator is used in a hazardous gas service area, the regulator must be vented to a remote, safe location away from air intakes or any other hazardous area. The vent line or stack opening must be protected against condensation or clogging. Do not use these products where pressures and temperatures can exceed those listed under specifications.

### LIMITED WARRANTY & DISCLAIMER

ControlAir, Inc. products are warranted to be free from defects in materials and workmanship for a period of one year from the date of manufacture, provided said products are used according to ControlAir, Inc. recommended usages. ControlAir, Inc.'s liability is limited to repair of, refund of purchase price paid for, or replacement in kind of, at ControlAir, Inc.'s sole option, any products proved defective. ControlAir, Inc. reserves the right to discontinue manufacture of any product or change product materials, design or specifications without notice. Note: ControlAir does not assume responsibility for the selection, use, or maintenance of any product. Responsibility for the proper selection, use, and maintenance of any ControlAir product remains solely with the purchaser and end user.