


Limit Switches with Positive Opening Mechanism






LJA Series

Snap action limit switches with positive opening mechanism enables general industrial machines to comply with EC directives and to acquire CE marking.



-  mark (symbol for control switch with positive opening operation) is provided to assist in acquisition of EN approval
- Limit switch conforms to the EN 50041 standard
- UL/CSA/CE/GB(ccc markings) are provided, suitable for machines to be exported to North America and Europe (excluding some models)
- N.C./N.O. electrically independent contacts (zb) with snap action mechanism
- Use of twin-contact structure improves contact reliability.
- Mounting centers dimensions are compatible with these of LS general purpose limit switches
- High degree of sealing meet immersion proof (JIS) and IP67 (IEC 60529) standards

ORDER GUIDE

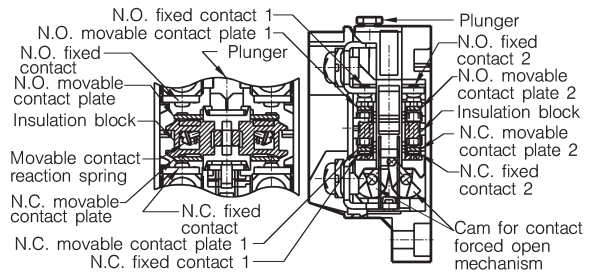
| Actuator type | Catalog listing | Operating characteristics | | |
|--|---------------------|--------------------------------|--------------------------|--------------------------------------|
| | | O.F. (Max.) operating force | P.T. (Max.) pretravel | M.D. (Max.) movement differential |
| Standard roller lever (Lever length: 30 mm)  | LJA10-11A21N | 11.8 N | 25° | 13° |
| Adjustable roller lever  | LJA10-13A21N | 11.8 N | 25° | 13° |
| Boot seal roller plunger  | LJA10-57A21N | 18.6 N | 3 mm | 1.3 mm |

STANDARDS COMPLIANCE

| Certifying Body | Standard | File No. |
|-----------------|-----------------|------------------|
| UL | UL 508 | E 96090 |
| CSA | CSA C22.2 No.14 | |
| TÜV | EN 60947-5-1 | R 9551074 |
| CQC | GB14048.5 | 2003010305083858 |

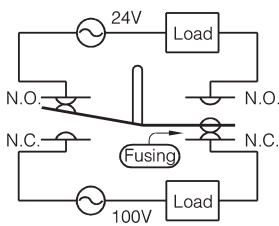
INTERNAL SWITCH: N.C./N.O. electrically independent contacts (Zb)

- Internal switches in the LJA Series have a twin-contact structure with N.C./N.O. electrically independent contacts (Zb).
- The movable contact plates for the N.C. and N.O. contacts are independent from each other and mutually insulated. This switch is a type of two-circuit and double-breaking switch using twin contacts.



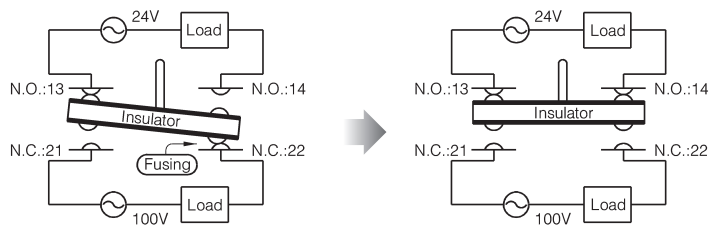
OPERATIONAL DESCRIPTION OF LJA INTERNAL SWITCH

Conventional LS general purpose limit switch.....



In the conventional two-circuit double-breaking switch, if fusing occurs at the N.C. contact and the switch is activated, N.C. and N.O. circuits can become electrically connected. If this occurs, the power supply circuit may be short-circuited or the load may be burned out depending on the circuit configuration.

LJA switch.....

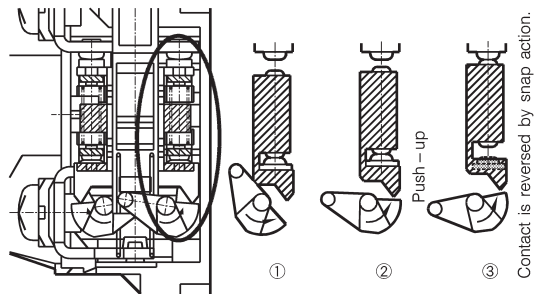


In an LJA Series switch, even if fusing occurs and the switch is activated, N.C. and N.O. circuits cannot be connected. Therefore, even though a separate power supply is put on the N.C. and N.O. sides as shown in the above Figure, the short-circuited power supply and burned out load can be avoided.

Additionally, as the switch is pushed in, the cam is rotated to push up the N.C. contact plate and forcibly release the fused contact.

CONTACTS FORCED OPEN BY CAM (N.C. contacts only)

As shown in the above Figure, the cam forcibly pushes up the N.C. contact from the bottom. With this mechanism, the contacts are forcibly opened even if they are fused.



PERFORMANCE

| | | |
|--|--|--|
| Standards | Compliance | NECA C 4508/JIS C 8201-5-1, IEC60947-5-1, EN50041(mounting hole dimension only) |
| | Certification | EN60947-5-1(TÜV)/UL508(UL)/CSA C22-2 No.14(C-UL)/GB14048.5(CQC) |
| Structure | Contact type | Zb(EN60947-5-1)⊕ |
| | Contact shape | Rivet |
| | Terminal shape | Screw (M3 round head screw with square washer) |
| | Protective structure | Immersion proof type (JIS), IP67(IEC60529), Type 6p(UL50) |
| | Pollution level | 3(EN60947-5-1) |
| Electrical performance (1)General characteristics | Electrical rating | See Table 1. |
| | Dielectric strength | Between non-continuous terminals : 2,100 Vac, 50/60 Hz for 1min. Between each terminal and non-live metal part : 5,300 Vac, 50/60 Hz for 1min. Between each terminal and ground : 5,300 Vac, 50/60 Hz for 1min. Between different terminals : 5,300 Vac, 50/60 Hz for 1min. |
| | Insulation resistance | 100 MΩ or more(by 500 Vdc megger) |
| | Initial contact resistance | 25 mΩ or less (6 to 8 Vdc, thermal current 1A, measured by voltage drop method) |
| | Recommended min. operating voltage/current | 24V-10 mA, 12V-20 mA |
| Electrical performance (2)EN 60947-5-1 related characteristics | Rated operating voltage | 400 Vac, 250 Vdc |
| | Rated thermal current(Ith) | 10A |
| | Rated frequency | AC voltage, 45 to 65 Hz, and DC voltage |
| | Short-circuit protection | BUSSMANN KTK-10 (10A) fast acting fuse or equivalent, (TÜV)/ 10A fast acting fuse (CQC) |
| | Rated insulation voltage(Ui) | 500 Vac or 275 Vdc |
| | Conditional rated short-circuit current | 1,000A (with coil load) |
| | Switching over-voltage | Category III (IEC60204-1) |
| | Rated impulse withstanding voltage (Uimp) | Between each terminal and non-live metal part : 6000V, Between non-continuous terminals : 7400V |
| | Electrical protection | class I(IEC 60536) |
| Mechanical performance | Actuator strength | Roller lever type : 49 N in operating direction for 1min. or more Plunger type : 93 N in operating direction for 1min. or more Rod lever type : 12 N in operating direction for 1min. or more |
| | Terminal strength | Withstands tightening torque of 1.0 N-m for 1min. |
| | Impact resistance | 300 m/s ² , contact opening for 1ms. or less in free position and total travel position. |
| | Vibration resistance | Frequency: 10 to 55 Hz, peak-to-peak amplitude: 1.5 mm, continuous for 2hrs. Contact opening for 1ms. or less in free position and total travel position. |
| | Allowable operating speed | 1 mm/s to 0.5 mm/s Min. speed: 0.1 s or less in the unstable contact status. Max. speed: Actuator should not be broken. |
| | Operating frequency | 120 operations/min. or less |
| Life | Mechanical life | Lever type: 15million operations or more. Plunger type: 5million operations or more |
| | Electrical life | 100,000 operations or more (rated load, open/close frequency: 20operations/min. or less) |
| Environmental conditions | Operating temperature range | -25 to +70°C (No freezing allowed.) |
| | Operating humidity range | 98%RH or less |
| Recommended tightening torque | Body | 5 to 6 N-m (M5 screw) |
| | Terminal | 0.6 to 1.0 N-m (M3 round head screw with square washer) |
| | Cover | 1.3 to 1.7 N-m (M4 screw) |
| | Head | 0.8 to 1.2 N-m (M3.5 screw) |
| | Roller lever | 4 to 5.2 N-m (M5 screw) |

Note 1. The values stated in the above table are common to all LJA10 Series models.

Note 2. The values for the roller lever type are for a lever length of 30 mm.

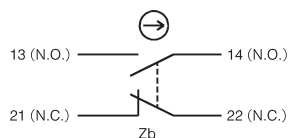
●Table 1. Electrical rating

| EN 60947-5-1 | UL508 |
|---|--|
| AC-15:Ue=AC400V, Ie=2A Ue=AC240V, Ie=3A DC-13:Ue=DC250V, Ie=0.27A | 2A/400 Vac General Use Load 3A/240 Vac General Use Load 0.27A/240 Vdc 0.55A/120 Vdc |

Category used AC-15: Solenoid load
DC-13: Solenoid load

Ue: Rated operating voltage
Ie: Rated operating current

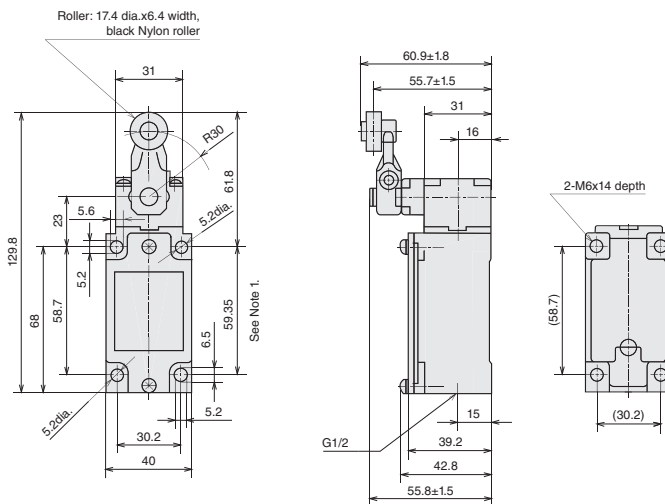
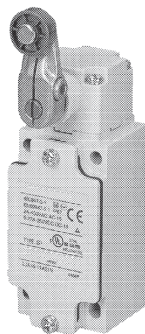
CONTACT CONFIGURATION



Zb: Mutually insulated twin-contact type double gap contact element with 4 terminals (EN 60947-5-1)

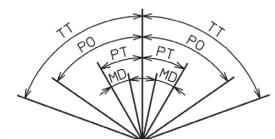
⊕: Symbol for control switch with positive opening circuit operation (EN60947-5-1)

● Roller lever

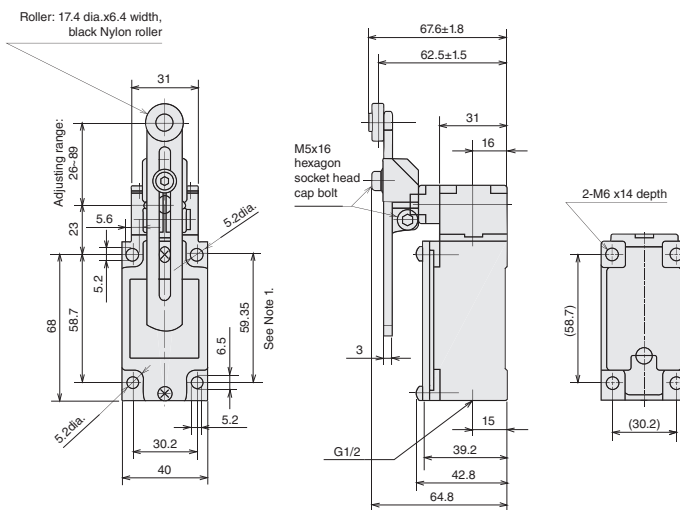
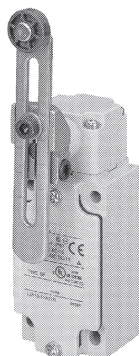


| Catalog listing | | LJA10-11A21N |
|--|----------|--------------|
| O.F. (operating force) | (N max.) | 11.8 |
| R.F. (release force) | (N min.) | 0.5 |
| P.T. (pretravel) | (° max.) | 25 |
| O.T. (overtravel) | (° min.) | 45 |
| M.D. (movement differential) | (° max.) | 13 |
| T.T. (total travel) | (° min.) | 70 |
| P.O. (travel to positive opening position) | (° max.) | 55 |
| P.O.F. (positive opening force) | (N max.) | 12.7 |

Note 1. A mounting pitch of 58.7 to 60 is possible.
 Note 2. When using N.C. for safety, a push-in amount exceeding the P.O. point shown on the left should be kept.
 Note 3. Dimensional tolerance is ±0.8 unless otherwise specified.

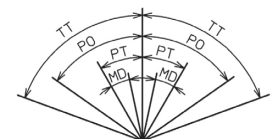


● Adjustable roller lever



| Catalog listing | | LJA10-13A21N |
|--|----------|--------------|
| O.F. (operating force) | (N max.) | 11.8 |
| R.F. (release force) | (N min.) | 0.5 |
| P.T. (pretravel) | (° max.) | 25 |
| O.T. (overtravel) | (° min.) | 45 |
| M.D. (movement differential) | (° max.) | 13 |
| T.T. (total travel) | (° min.) | 70 |
| P.O. (travel to positive opening position) | (° max.) | 55 |
| P.O.F. (positive opening force) | (N max.) | 12.7 |

Note 1. A mounting pitch of 58.7 to 60 is possible.
 Note 2. When using N.C. for safety, a push-in amount exceeding the P.O. point shown on the left should be kept.
 Note 3. Dimensional tolerance is ±0.8 unless otherwise specified.

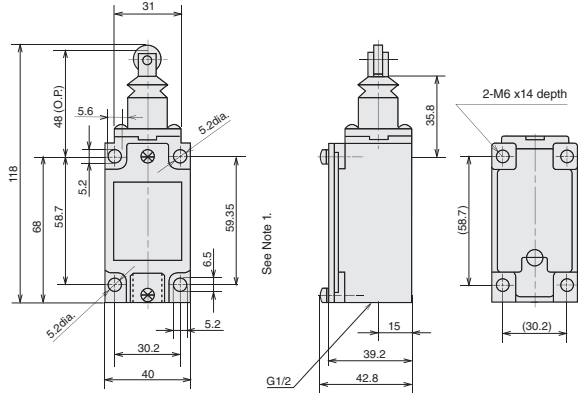


Boot seal roller plunger

(unit: mm)



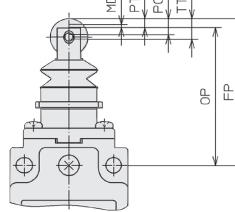
| Catalog listing | | LJA10-57A21N |
|--|-----------|--------------|
| O.F. (operating force) | (N max.) | 18.6 |
| R.F. (release force) | (N min.) | 2.0 |
| F.P. (free position) | (mm max.) | 51 |
| O.P. (operating position) | (mm) | 48 ± 1 |
| P.T. (pretravel) | (mm max.) | 3 |
| O.T. (overtravel) | (mm min.) | 4.5 |
| M.D. (movement differential) | (mm max.) | 1.3 |
| T.T. (total travel) | (mm min.) | 6.5 |
| P.O. (travel to positive opening position) | (mm max.) | 5.5 |
| P.O.F. (positive opening force) | (N max.) | 27 |



Note 1. A mounting pitch of 58.7 to 60 is possible.

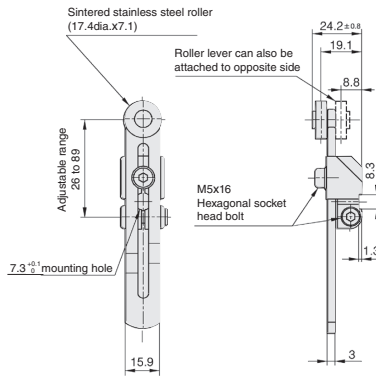
Note 2. When using N.C. for safety, a push-in amount exceeding the P.O. point shown on the left should be kept.

Note 3. Dimensional tolerance is ±0.8 unless otherwise specified.

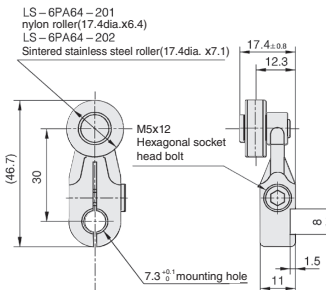


● Auxiliary actuators

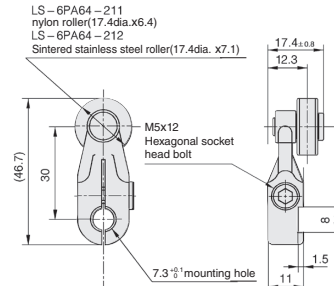
● LS-6PA64-102



● LS-6PA64-201, LS-6PA64-202



● LS-6PA64-211, LS-6PA64-212



HANDLING PRECAUTIONS

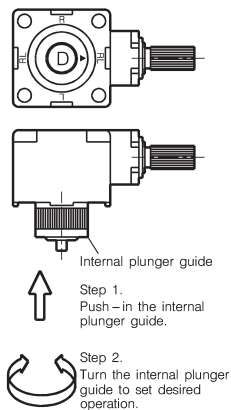
1. Changing the operating direction of a roller lever switch

Roller lever switches are factory-assembled to operate in both directions. It is possible to change to one operating direction (clockwise or counterclockwise) corresponding to the customer's operation method. To change the operating direction, follow the steps below.

Step 1. Loosen the four screws on the switch head and remove it.
 Step 2. Turn over the head, push the internal plunger guide (black cylindrical part), and then turn it to set the desired operating direction. Set the mark on the internal plunger guide to RL, R, or L on the head to set the desired operation.

RL: operation in both directions
 R : operation in clockwise direction (CW)
 L : operation in counterclockwise direction (CCW)

Step 3. Reassemble the switch head and body.

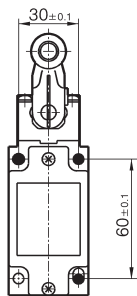


2. Mounting the switch

The mounting of LJA Series limit switches is compatible with that of LS Series general purpose compact switches. Mount the switch as shown in the following Figures.

2.1 Mounting the LJA Series switch (mounting in conformity with EN 50041)

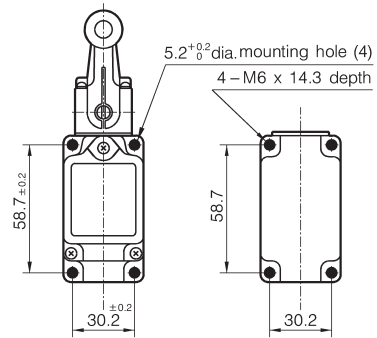
(unit: mm)



Three mounting holes indicated by "*" shown in the Fig. on the left, that is, 5.2dia. hole, oval hole 5.2 x 5.6, and oval hole 5.2 x 6.5, can be secured.
 Note. The back mounting cannot be performed using the mounting hole having a mounting pitch of 30 x 60.

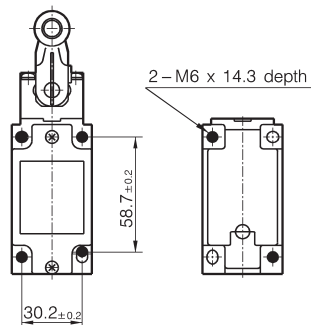
2.2 If mounting compatibility with LS Series general purpose compact switch is required

Mounting the LS -J Series switch



Four 5.2dia. mounting holes indicated by "*" shown in the Fig. on the left can be secured or four M6 screws on the back can be secured.

Mounting the LJA Series switch



Two M6 screws diagonally opposite to each other on the back of the switch indicated by "*" shown in the Fig. can be secured, or two 5.2dia. mounting holes diagonally opposite to each other or four 5.2dia. mounting holes can be secured.

3. Wiring

- Do not wire while the power is ON. There is a danger of electrical shock or unexpected movement of the mechanism.

4. Adjustment

- Do not apply excessive force (5 times the O.F. or more) to the actuator beyond the travel limit position. Doing so may damage the switch.
- Set the overtravel between 1/3 and 2/3 of the rated value. With a small overtravel, vibration or shock may cause the contacts to rattle or to make poor contact.

5. Environment

- Do not use the switch in an environment where strong acid or alkali is directly splashed onto it.