



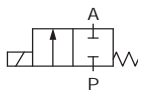
2/2 and 3/2-way Rocker Solenoid Valve for analytical applications

- 16 mm width
- Orifice DN 2.0 - DN 3.0
with pressure range vacuum to 5 bar
- Medium separation, for aggressive fluids
- High back-pressure tightness
- Direct acting

Type 6626 combines the reliable and successful Rocker principle with a highly innovative new actuator. The TwinPower concept of this actuator reduces the size greatly without loss in performance. Hence the 16 mm wide medium isolated rocker valve, 6626, with a 3.0 mm orifice and a pressure resistance of 2 bar, provides the same performance as a traditional 22 mm valve. In addition, the integrated power reduction decreases the energy consumption by 75%. In combination with other design features the heat transfer into the medium can be reduced to a minimum.

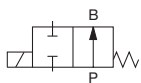
In the design of the 6626, the main benefits lie in its excellent cleanability and a high reliability. By using high performance materials the 6626 suits the handling of aggressive medium perfectly. The valve is available in a 2-way and 3-way version.

Circuit function A



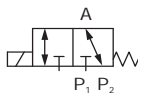
2/2-way valve,
direct acting,
normally closed

Circuit function B



2/2-way valve,
direct acting,
normally open

Circuit function T



3/2-way valve,
universal function

| Technical Data | |
|------------------------------------|---|
| Orifice | DN 2.0 mm, DN 3.0 mm |
| Body material | PEEK, PPS |
| Seal material | FFKM, FKM, EPDM |
| Medium | Resistant to neutral and aggressive gases and liquids acc. to our chemical resistance chart |
| Medium temperature | |
| FFKM | +15 °C to +50 °C |
| FKM | -10 °C to +50 °C |
| EPDM DN 2.0 | -10 °C to +50 °C |
| EPDM DN 3.0 | +5 °C to +50 °C |
| Ambient temperature | |
| FFKM | +15 °C to +55 °C |
| FKM | -10 °C to +55 °C |
| EPDM DN 2.0 | -10 °C to +55 °C |
| FFKM DN 3.0 | +5 °C to +55 °C |
| Internal volume | <470 µl |
| Port connection | Sub-base, UNF, G 1/8, Tube |
| Electrical connection | Flying leads, Rectangular plug |
| Power supply | 24 V ¹⁾ , 12 V ¹⁾ |
| Voltage tolerance | 24V ±10% ²⁾ 12V +10% / -5% ²⁾ |
| Nominal power consumption | 13.6W inrush power 3.4W nominal holding power (internal power reduction) |
| Duty cycle | 100% continuous rating |
| Installation | As required |
| Protection class | IP 40 |
| Switching frequency | max. 2 Hz ³⁾ |
| Response times³⁾ | |
| opening | ca. 10 ms (Pressure rise 0-10%) |
| closing | ca. 15 ms (Pressure drop 100-90%) |

¹⁾ Battery voltage, observe polarity (red= +, black = -)

²⁾ Max. allowed ripple

³⁾ with ambient temperature of 20° C

Ordering chart

| Circuit function | Orifice [mm] | Port connection | Kv value water [m ³ /h] ¹⁾ | Pressure range [bar] ²⁾ | Max. pressure difference [bar] | Seal material | Body material | Electrical connection | Voltage/Frequency [V/Hz] | Item no. | | | | | |
|--|--|-----------------|--|------------------------------------|--------------------------------|---------------|---------------|--------------------------------|--------------------------------|--------------------------------|--------------|--------------|---------|---------|---------|
| <p>2/2-way valve, direct acting, NC</p> | 2.0 | Sub-base | 0.10 | vac - 3 (vac - 5) | 3 (5) | EPDM | PPS | Rectangular Plug ³⁾ | 12 | 247 769 | | | | | |
| | | | | | | | | | | | 24 | 247 771 | | | |
| | | | | | | | | | | | | | | | |
| | | UNF | | | | | | | | | Flying Leads | 24 | 247 775 | | |
| | | | | | | | | | | | | | 247 786 | | |
| | | | | | | | | | | | | | 251 709 | | |
| | G 1/8 | | | | | | | Rectangular Plug ³⁾ | | 252 770 | | | | | |
| | | | | | | | | Flying Leads | | 234 278 | | | | | |
| | <p>2/2-way valve, direct acting, normally open</p> | 3.0 | Sub-base | 0.19 | | | EPDM | PPS | Rectangular Plug ³⁾ | 24 | 247 797 | | | | |
| | | | | | | | | | | | | | | | 238 530 |
| | | | | | | | | | | | | | | | 12 |
| | | | UNF | | | | | | | | | Flying Leads | 24 | 247 819 | |
| | | | | | | | | | | | | | | 251 711 | |
| | | | | | | | | | | | | | | 252 771 | |
| Tube | | | | | | | | | Rectangular Plug ³⁾ | 24 | 252 772 | | | | |
| | | | | | | | | | | | | 247 789 | | | |
| | | | | | | | | | | | | Flying Leads | 228 642 | | |
| | | | | | | | | | Rectangular Plug ³⁾ | | 247 810 | | | | |
| <p>3/2-way valve, direct acting, Universal version</p> | | 2.0 | Sub-base | 0.10 | vac - 3 (vac - 5) | 3 (5) | EPDM | PPS | Rectangular Plug ³⁾ | 24 | 247 826 | | | | |
| | | | | | | | | | | | | | 12 | 247 829 | |
| | | | | | | | | | | | | | 24 | 247 841 | |
| | UNF | | | | | | | | | Rectangular Plug ³⁾ | 12 | 247 838 | | | |
| | | | | | | | | | | | | | | 251 713 | |
| | | | | | | | | | | | | | 24 | 252 774 | |
| | | | | | | | | Rectangular Plug ³⁾ | | 252 775 | | | | | |
| <p>3/2-way valve, direct acting, Universal version</p> | 3.0 | Sub-base | 0.19 | | | EPDM | PPS | Rectangular Plug ³⁾ | 12 | 247 851 | | | | | |
| | | | | | | | | | | | | 24 | 247 853 | | |
| | | | | | | | | | | | | | 24 | 234 371 | |
| | | UNF | | | | | | | | | Flying Leads | 24 | 238 531 | | |
| | | | | | | | | | | | | | | 247 874 | |
| | | | | | | | | | | | | | | 12 | 247 877 |
| | G 1/8 | | | | | | | | Rectangular Plug ³⁾ | 24 | 252 776 | | | | |
| | | | | | | | | | | | | | 251 715 | | |
| | | | | | | | | | | | | | 247 872 | | |
| | Tube | | | | | | | | Rectangular Plug ³⁾ | 24 | 247 844 | | | | |
| | | | | | | | | | | | | | 247 859 | | |
| | | | | | | | | | | | | | 247 858 | | |
| | | | | | | | | Flying Leads | | 247 869 | | | | | |

¹⁾ Measured at +20 °C, 1 bar pressure at value inlet and free outlet.




²⁾ Measured as overpressure with respect to atmospheric pressure.

³⁾ Please order the rectangular plug separately. For selection possibilities see accessories.

Note: () Values in brackets are only for gas mediums.

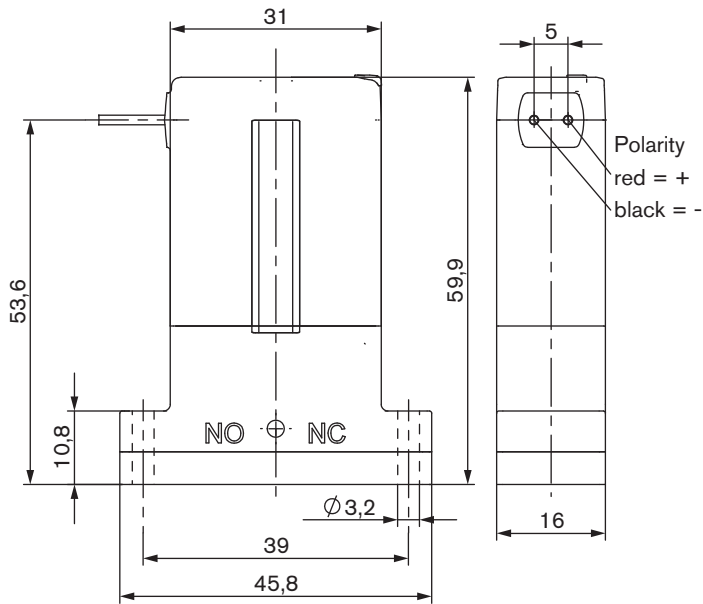
Ordering chart accessories

Rectangular plug Type 2505

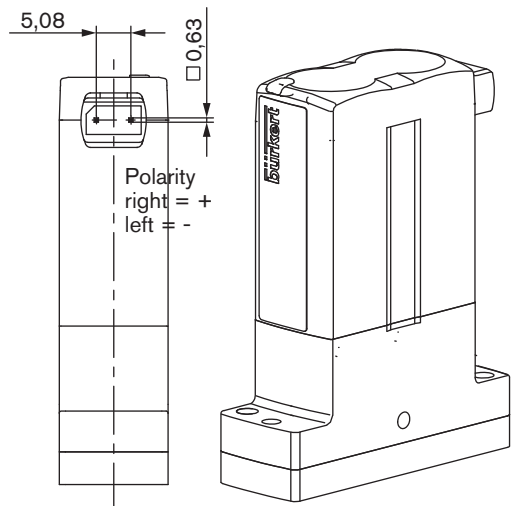
| | Accessories | Item no. |
|---|--|----------|
|  | Rectangular plug with 3 m cable | 133 486 |
|  | Rectangular plug with 300 mm flying leads | 644 068 |
|  | Rectangular plug, single contact for individual mounting | 644 067 |

Dimensions [mm]

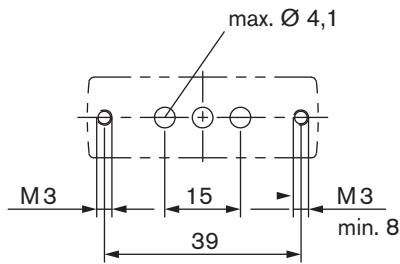
Electrical connections: flying leads



Electrical connections: rectangular plug

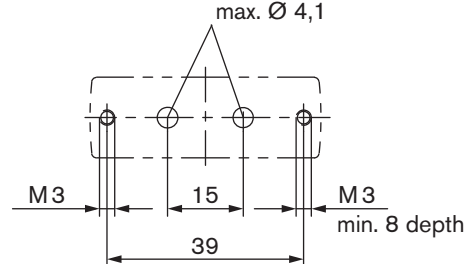


Sub-base body for 3/2-way connection

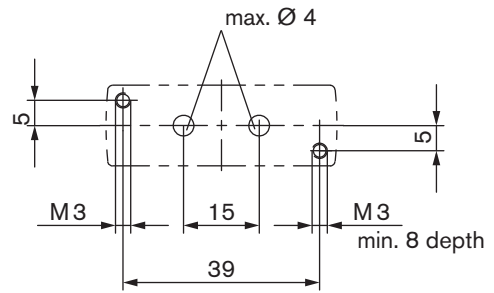
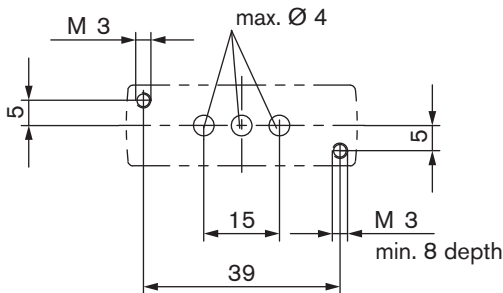


preferred threaded connection

Sub-base body for 2/2-way connection

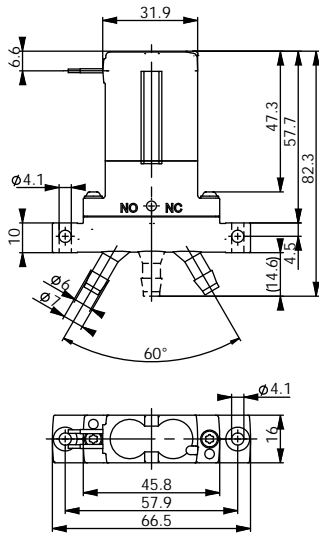


further possible threaded connection

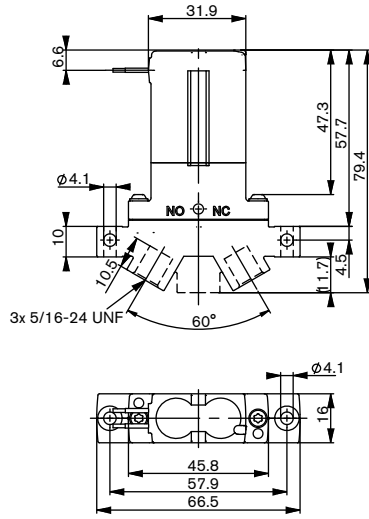


Dimensions [mm]

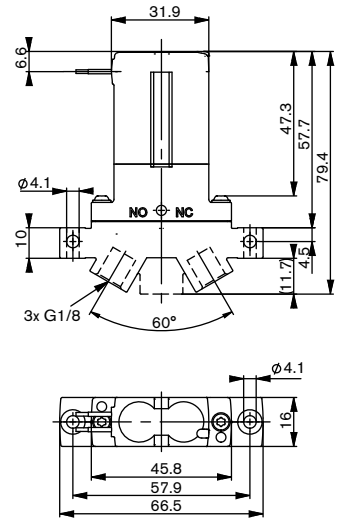
Body, tube connector



Body, UNF 5/16" -24



Body, G1/8



Application examples

Tube 2-way



UNF 2-way



Tube 3-way



UNF 3-way



To find your nearest Bürkert facility, click on the orange box →

www.buerkert.com

In case of special application conditions, please consult for advice.

Subject to alterations © Christian Bürkert GmbH & Co. KG

1303/3_EU-en_00895195