

Catalytic Heater Applications

Installation, Operation, & Maintenance Instructions



WARNING

WARNING. Improper installation adjustment, alteration, excessive vibration, service, or maintenance can cause property damage, injury or death. Read the installation, operating and maintenance instructions thoroughly before installation or servicing this equipment.

Special Notes

The following special notices highlight important information in the installation and maintenance sections. Each serves a special purpose and is displayed in the format shown:



CAUTION

This symbol indicates a potentially hazardous situation, which, if not avoided, can result in personal injury or damage to the equipment.



CAUTION

This symbol indicates a potentially hazardous situation, which, if not avoided, may be a shock hazard.



WARNING

This symbol indicates an imminently hazardous situation, which, if not avoided, could result in death or serious injury.

TABLE OF CONTENTS

A. Certification & Intended Use	3
A.1 Certification	3
A.2 Intended Use	3
B. Specifications	3
B.1 MKII Model (Series X)	3
B.2 BX Model (Series G)	3
B.3 WX Model (Series X)	4
B.4 WXS Model (Series X)	4
B.5 BX Model (Series X and G)	4
C. Installation	5
C.1 Clearances	5
C.2 Fuels	5
C.3 Piping	5
C.4 Electrical	6
C.5 Ventilation	6
D. Operation	7
D.1 Start-up	7
D.2 Shut Down	7
D.3 Multi-Heater Start-up	7
E. 12V Hazardous Electrical Installations	7
F. Space & Spot Heating	8
F.1 Space Heating	8
F.2 Spot Heating	8
G. Cleaning & Personal Safety	8
G.1 Cleaning	8
G.2 Personal Safety	8
H. Repairs	9
I. Ordering Information	9
J. Troubleshooting	10

A. CERTIFICATION & INTENDED USE

A.1 Certification

1. Model WX (Series X) & MKII (Series X) Cata-Dyne™ explosion-proof, flameless infrared catalytic gas heaters are certified by the Canadian Standards Association (CSA) for use in Class I, Divisions 1 and 2, Group D hazardous locations temperature code T2C, at a maximum ambient temperature of 40°C (104°F).
2. Model WXS (Series X) is FM certified for Class I, Division I, Group D, temperature code T2B at a maximum ambient temperature of 40°C (104°F). Model BX (Series X) and Model MKII (Series X) are FM certified for Class I, Division I, Group D, temperature code T2C at a maximum ambient temperature of 40°C (104°F).
3. Models WX (Series X) are certified CE for use in gas environments, Category 2, Zone 1 & 2, Group IIA.

4. The Model BX (Series G) Cata-Dyne™ heater is certified by CSA and FM for use in general industrial non-hazardous locations. Models listed are certified for industrial use only, for either natural gas or propane gas.
5. CSA approved models are equipped for high altitudes: 0 to 4500 ft (0 m to 1370 m) above sea level. FM approved models are equipped for high altitudes: 0 to 6000 ft (0 m to 1829 m) above sea level.

A.2 Intended Use

The Cata-Dyne™ heater can be used in all industrial indoor locations where a source of infrared radiant heat is required, where adequate ventilation is available.

B. SPECIFICATIONS

To ensure the maximum efficiency of your Cata-Dyne™ heater, it should be installed with the heating surface positioned plus or minus 45° from the vertical plane at a height of no more than 8 ft (2.44 m). All heaters must be installed in accordance with the latest revisions of the codes described in Table 1, page 3 and in accordance with any local codes and regulations. Before installing the heater, all information on the heater nameplate must be carefully reviewed. The nameplate lists all the fuel and electrical requirements for the heater.

Table 1 – National Code Requirements

For Cata-Dyne™ Heaters Installed in:		
Canada	USA	Internationally
- CSA/CAN-C22.1-02 Canadian Electrical Code	- NFPA 70, National Electrical Code	- Install according to local and national/international fuel and electrical codes
- CSA/CAN-B149.1 Natural Gas and Propane Installation Code	- NFPA 54, National Fuel Gas Code	

B.1 MKII Model (Series X)

CSA and FM approved for use in Class I, Division 1 and 2, Group D hazardous (classified) locations, T-Code T2C.

Table 2 – MKII Model (Series X)

Model Number	Input Ratings For Both Natural and Propane Gas	
	Max. Btu/hr	Max. kW
MKII 12x12	5,000	1.464
MKII 12x24	10,000	2.929
MKII 18x24	15,000	4.393
MKII 18x48	30,000	8.786
MKII 24x24	20,000	5.857
MKII 24x48	40,000	11.715

B.2 BX Model (Series G)*

CSA approved for use in general industrial non-hazardous locations.

Table 3 – BX Model (Series G)

Model Number	Input Ratings For Both Natural and Propane Gas			
	Max. Btu/hr		Max. kW	
	LPG	NAT	LPG	NAT
BX 6x6	1,250	1,500	0.366	0.439
BX 6x12	2,500	3,000	0.732	0.879
BX 6x24	5,000	6,000	1.464	1.757
BX 8x8	2,222	2,667	0.651	0.781
BX 10x12	4,167	5,000	1.220	1.464
BX 12x12	5,000	6,000	1.464	1.757
BX 12x24	10,000	12,000	2.929	3.514
BX 12x36	15,000	18,000	4.393	5.272
BX 12x48	20,000	24,000	5.857	7.029
BX 12x60	25,000	30,000	7.322	8.786
BX 12x72	30,000	36,000	8.786	10.543
BX 18x24	15,000	18,000	4.393	5.272
BX 18x30	18,750	22,500	5.491	6.590
BX 18x36	22,500	27,000	6.590	7.908
BX 18x48	30,000	36,000	8.786	10.543
BX 18x60	37,500	45,000	10.983	13.179
BX 18x72	45,000	54,000	13.179	15.815
BX 24x24	20,000	24,000	5.857	7.029
BX 24x30	25,000	30,000	7.322	8.786
BX 24x36	30,000	36,000	8.786	10.543
BX 24x48	40,000	48,000	11.715	14.058
BX 24x60	50,000	60,000	14.644	17.572

*Model available for CSA only.

B.3 WX Model (Series X)

CSA and FM approved for use in Class I, Division 1 and 2, Group D hazardous (classified) locations, T-Code T2C.

Table 4 – WX Model (Series X)

Model Number	Input Ratings For Both Natural and Propane Gas	
	Max. Btu/hr	Max. kW
WX 6x6	1,250	0.366
WX 6x12	2,500	0.732
WX 6x24	5,000	1.464
WX 6x60	12,500	3.661
WX 8x8	2,222	0.651
WX 10x12	4,167	1.220
WX 12x12	5,000	1.464
WX 12x24	10,000	2.929
WX 12x36	15,000	4.393
WX 12x48	20,000	5.857
WX 12x60	25,000	7.322
WX 12x72	30,000	8.786
WX 18x24	15,000	4.393
WX 18x30	18,750	5.491
WX 18x36	22,500	6.590
WX 18x48	30,000	8.786
WX 18x60	37,500	10.983
WX 18x72	45,000	13.179
WX 24x24	20,000	5.857
WX 24x30	25,000	7.322
WX 24x36	30,000	8.786
WX 24x48	40,000	11.715
WX 24x60	50,000	14.644
WX 24x72	60,000	17.572

B.4 WXS Model (Series X)**

FM approved for use in Class I, Division 1, Group D hazardous (classified) locations, T-Code T2B.

Table 5 – WXS Model (Series X)

Model Number	Input Ratings For Both Natural and Propane Gas		
	Max. Btu/hr	Max. kW	
WXS 6x6	1,750	0.513	
WXS 6x12	3,500	1.025	
WXS 6x24	7,000	2.050	
WXS 8x8	3,111	0.911	
WXS 10x12	5,833	1.709	
WXS 12x12	7,000	2.050	
WXS 12x24	14,000	4.101	
WXS 12x36	21,000	6.151	
WXS 12x48	28,000	8.201	
WXS 24x24	28,000	8.201	
WXS 24x36	42,000	12.302	
WXS 24x48	56,000	16.402	
Round	WXS08	2,500	0.732
	WXS12	5,500	1.611

B.5 BX Model (Series X and G)**

Series X: FM approved for use in Class I, Division 1, Group D hazardous (classified) locations, T-Code T2C.

Series G: Approved for general industrial non-hazardous locations by FM.

Table 6 – BX Model (Series X and G)

Model Number	Input Ratings For Both Natural and Propane Gas	
	Max. Btu/hr	Max. kW
BX 6x6	1,500	0.439
BX 6x12	3,000	0.879
BX 6x24	6,000	1.757
BX 8x8	2,667	0.781
BX 10x12	5,000	1.464
BX 12x12	6,000	1.757
BX 12x24	12,000	3.514
BX 12x36	18,000	5.272
BX 12x48	24,000	7.029
BX 12x60	30,000	8.786
BX 12x72	36,000	10.543
BX 18x24	18,000	5.272
BX 18x30	22,500	6.590
BX 18x36	27,000	7.908
BX 18x48	36,000	10.543
BX 18x60	45,000	13.179
BX 18x72	54,000	15.815
BX 24x24	24,000	7.029
BX 24x30	30,000	7.322
BX 24x36	36,000	10.543
BX 24x48	48,000	14.058
BX 24x60	60,000	17.572
BX 24x72	72,000	21.087

**Model available for FM only.

C. INSTALLATION

C.1 Clearances

Appropriate clearances from the heating surface must be observed during the installation of the Cata-Dyne™ heaters (Figure 1 and Tables 7–10, page 5). Maintain nameplate clearances from combustible materials such as wood, cloth, paper, etc. if the heater is to be installed overhead maintain clearances as stated in Figure 1 and Tables 7–10, page 5 from vehicles parked below.

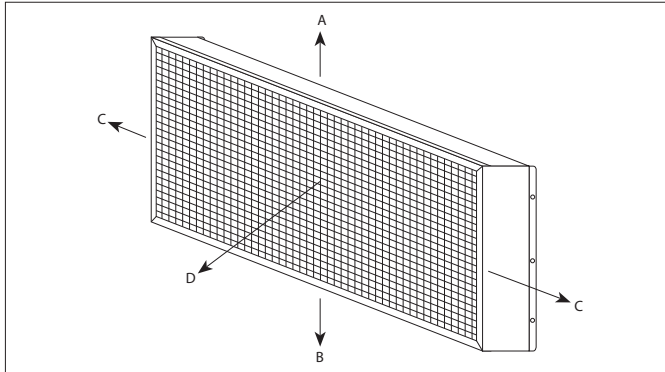


Figure 1 – Heater Clearance

Table 7 – A: Top (Heater Clearance)

Radiant Surface Position	Up to 12,000 Btu/hr (3.514 kW)		12,000 to 48,000 Btu/hr (14.058 kW)		Over 48,000 Btu/hr (17.572 kW)	
	in	mm	in	mm	in	mm
Vertical (0°)	18	457	18	457	42	1067
0–45° up	18	457	32	813	54	1372
0–45° down	18	457	18	457	18	457

Table 8 – B: Bottom (Heater Clearance)

Radiant Surface Position	Up to 12,000 Btu/hr (3.514 kW)		12,000 to 48,000 Btu/hr (14.058 kW)		Over 48,000 Btu/hr (17.572 kW)	
	in	mm	in	mm	in	mm
Vertical (0°)	7	178	12	305	18	457
0–45° up	0	0	12	305	18	457
0–45° down	22	559	24	610	42	1067

Table 9 – D: Radiant Surface (Heater Clearance)

Radiant Surface Position	Up to 12,000 Btu/hr (3.514 kW)		12,000 to 48,000 Btu/hr (14.058 kW)		Over 48,000 Btu/hr (17.572 kW)	
	in	mm	in	mm	in	mm
Vertical (0°)						
0–45° up	28	711	42	1067	60	1524
0–45° down						

Table 10 – C: Side (Heater Clearance)

Radiant Surface Position	All Heaters Up to 60,000 Btu/hr (17.572 kW)	
	Vertical (0°)	
0–45° up	12	305
0–45° down		

NOTE: Maintain nameplate clearances from combustible materials such as wood, cloth, paper, as well as any vehicles parked in the area of the heater.

C.2 Fuels

1. The Cata-Dyne™ flameless gas heater is designed to operate on clean, dry natural gas, or propane as specified on the heater nameplate.
2. Natural Gas - these heaters are designed to use natural gas (1,000 Btu/ft³, 37 MJ/m³) at 7" w.c. (1.73 kPa), 4.5" w.c. (1.12 kPa) or 3.5" w.c. (0.86 kPa).
3. Propane - these heaters are designed to use propane gas (2,500 Btu/ft³, 92 MJ/m³) at 11" w.c. (2.72 kPa).

C.3 Piping

1. A main shut-off valve must be installed upstream of all auxiliary heater controls.
2. The ASV375 100% safety shut-off valve (SSOV) and appliance regulator (natural gas heaters only) can be installed in the horizontal or vertical position. Older model heaters with the H17 safety shut-off valve must be installed in the upright position (horizontally) only.
3. The thermostatic temperature controller can be installed in the horizontal or vertical position.
4. The maximum inlet pressure to the 100% safety shut-off valve (SSOV), thermostatic temperature control and appliance regulator is 1/2 psi (3.4 kPa). If the inlet pressure is higher than this, a low pressure service regulator must be installed upstream of these components.
5. The maximum inlet pressure to the low pressure service regulator (available from Thermon Heating Systems) is 250 psi (1.7 MPa). If the inlet pressure is higher than this, a high-pressure regulator must be installed upstream.

For inlet pressures less than 25 psi (0.17 MPa) an alternate service regulator may have to be supplied. Contact Thermon Heating Systems for recommendations on low pressure gas installations.

6. If a low pressure service regulator is used, additional relief may be required for complete overpressure protection of downstream components. A Fisher 289U relief valve can provide complete downstream protection of components for typical installations.
7. For installation, see Figure 2, page 6 for typical Cata-Dyne™ Heater and Figure 3, page 6 for natural gas MKII model.

NOTE: Gas appliance regulators and manual shut-off valves are required standard components for all CSA approved heaters; they are available as optional accessories for FM approved heaters

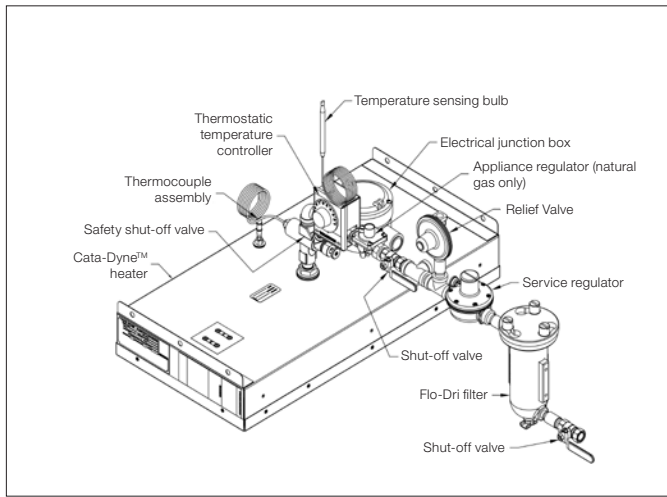


Figure 2 – Typical natural gas Cata-Dyne™ Heater installation

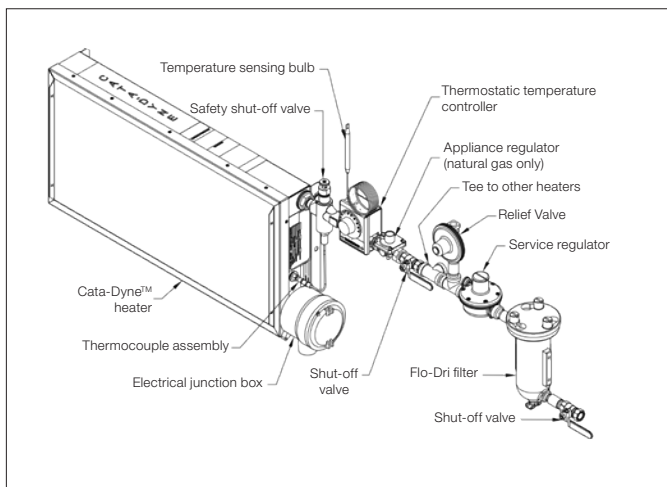


Figure 3 – Typical natural gas installation (MKII model only)

C.4 Electrical

NOTE: Ensure that the heater is not operational in an excessive vibration environment or premature failure of the heater may occur.

1. All wiring is to be installed in accordance with the latest revisions of the Canadian Electrical Code (CEC)/National Electrical Code (NEC) and any applicable local codes.
2. It is desirable to install an indicating light on all starting systems. This will reduce the possibility of the power being left on once the heater is started, which can severely reduce the lifespan of the heater.
3. Ground connections for 120V and higher voltage heaters are required as indicated in Figures 4 and 5, page 6.
4. The number of terminals in the junction box can be two or four depending on the number of elements used in the fabrication of the heater. All MKII models incorporate a single element and therefore have only two terminals. The connection procedure for the different combinations is as described in Figures 4 and 5, page 6.

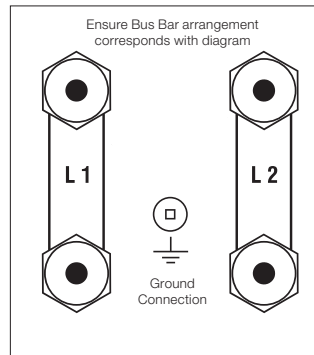


Figure 4 – Elements in parallel

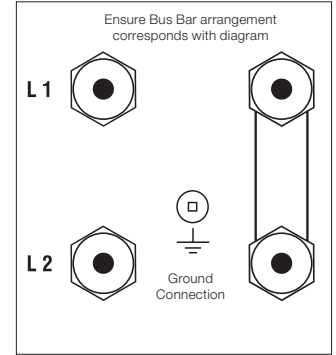


Figure 5 – Elements in series

C.5 Ventilation

1. The catalytic reaction in Cata-Dyne™ heaters occurs when natural gas or propane reacts with oxygen to produce water vapor, carbon dioxide and infrared energy. Ventilation must be provided to allow adequate supply of oxygen for the reaction.
2. For every 1.0 ft² (0.093 m²) of heater surface, 50 ft³/hr (1.42 m³/hr) of air supply is required. For example, a WX 24 x 24 heater (20,000 Btu/hr / 5.857 kW) would require 200 ft³/hr (5.66 m³/hr) of air to ensure proper operation of the Cata-Dyne™ heater. See Table 11, page 6 for air requirements.
3. To reduce the carbon dioxide and water vapor concentrations in the building, a vent hood assembly can be installed to provide positive ventilation from the heater (Figure 6, page 6).

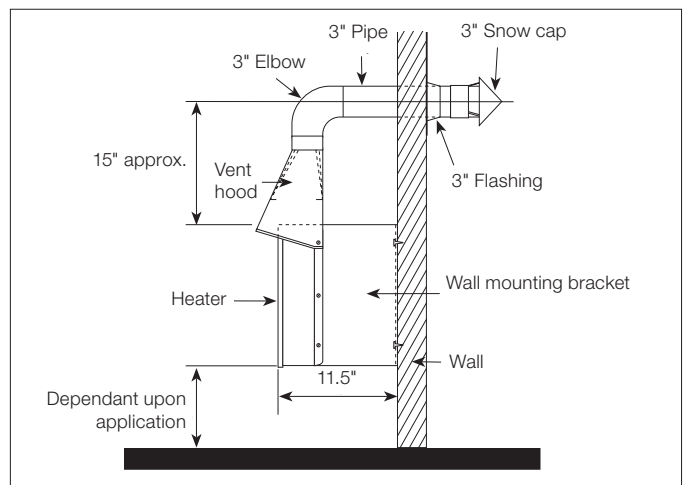


Figure 6 – Ventilation from heater

Table 11 – Ventilation from heater

Heater Series	Cu. Ft/hr of air per Square Ft of Heater Surface	Cu. M of air per Square Meter of Heater surface
WX/MKII (CSA/FM)	50	15.3
BX (CSA)	50	15.3
BX (FM)	60	18.3
WXS (FM)	70	21.3



CAUTION. Install MKII Series heaters with controls on sides or bottom of heater ONLY.

D. OPERATION

All Cata-Dyne™ heaters are supplied with a safety shut-off valve/ Thermocouple assembly to ensure the safe operation of the heater. Under no circumstances should the reset button be held or locked into the depressed position by use of a mechanical restraint. A tamper resistant model safety shut-off valve is available if desired.

D.1 Start-up

1. Ensure the heater has been installed according to all instructions and relevant codes.
2. Turn on the main gas supply to the system.
3. If the heater is equipped with a low-flow thermostatic temperature controller (capable of flow capacities below 30,000 Btu/hr), rotate the dial completely clockwise to the fully open position.
4. If the heater is equipped with a high-flow thermostatic temperature controller (capable of flow capacities above 30,000 Btu/hr), rotate the dial completely counterclockwise to the fully open position.
5. Turn on the power to the electrical elements.
6. After 15–20 minutes, depress the reset button on the top of the 100% safety shut-off valve. The button should return to

the original position and internally open the valve and allow gas to flow to the heater. If the valve does not stay open when the reset button is released, it may be necessary to wait an additional few minutes and then depress the reset button again. This will allow the electrical elements additional time to warm up.

7. When the catalytic reaction is well established, turn off the electrical power to the elements, and wait for an additional amount of time.
8. If the heater is equipped with a thermostatic temperature controller, it can be set to the desired setting after the catalytic reaction has been established for at least one hour.

D.2 Shut Down

Turn off the gas supply to the heater.

D.3 Multi-Heater Start-up

Cata-Dyne™ heaters can also be purchased/installed in multi-heater assemblies. If these assemblies are 12V, each heater must be started individually. This ensures the correct voltage and current will be reaching the heater from the power supply.

E. 12V HAZARDOUS ELECTRICAL INSTALLATIONS

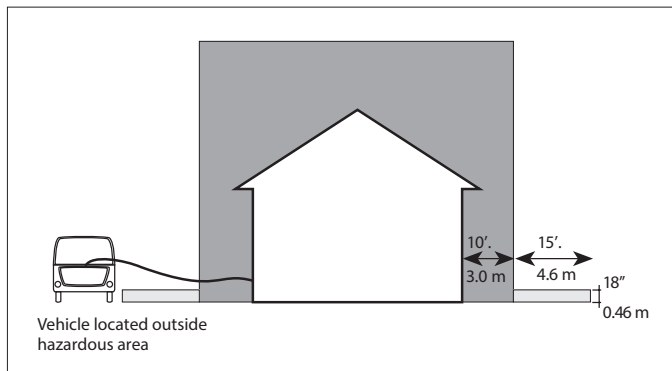


Figure 7 – Vehicle location

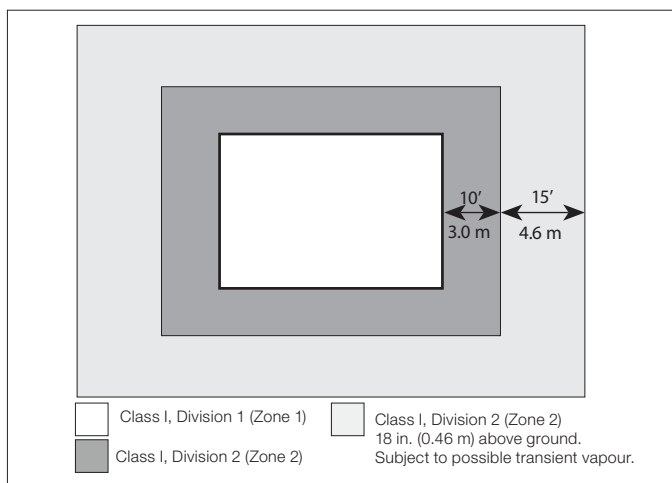


Figure 8 – Classes and Figure divisions

Most oil and gas production buildings have an area classification as follows:

1. Class I, Division 1 (Zone 1), within the building. Refer to Figures 7 and 8, page 7.
2. Class I, Division 2 (Zone 2), up to 10 ft (3 m) from the building in any direction. Refer to Figures 7 and 8, page 7.
3. Class I, Division 2 (Zone 2), between 10 ft (3 m) and 25 ft (7.6 m) from the building in all directions at an elevation of 18" (0.45 m) above the ground. Refer to Figures 7 and 8, page 7
4. Connection to the power supply must be outside of the Class I, Division 2 location (Figure 9, page 7). All electrical apparatus and wiring within this area must conform to the appropriate codes.

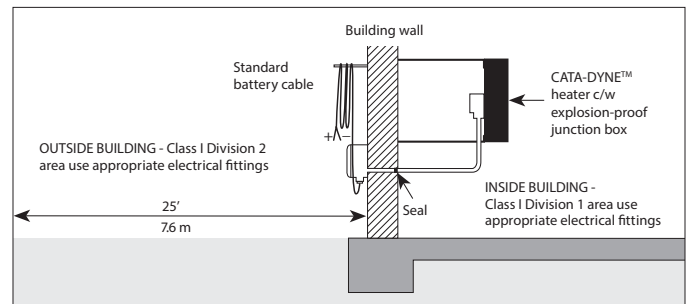


Figure 9 – Power supply connector (see Caution below).

CAUTION. Connect battery outside 25 ft (7.6 m) in non-hazardous area.

F. SPACE & SPOT HEATING

F.1 Space Heating

1. A separate heat load calculation should be done for each building in which a Cata-Dyne™ heater will be installed for space heating purposes.
2. The heat load calculation determines the building heat losses through the structure and allows for air infiltration. For sample Heat Load Calculation, visit: www.cata-dyne.com.
3. Cata-Dyne™ heaters produce low intensity infrared heat that is absorbed by objects within the range of the heat source. The closer the object is to the source of heat the more heat the object will absorb. Cata-Dyne™ heaters should be placed close to the floor level within the building to heat objects close to the floor.
4. Ideally, Cata-Dyne™ heaters should be mounted 1 ft to 3 ft (0.3 m to 1 m) from the floor and equally spaced around the building perimeter for space heating applications.
5. If low mounting is not practical, then overhead mounting may be utilized. Overhead mounted heaters should be sloped face down to a maximum 45° angle to direct the infrared energy towards the floor. Overhead mounting should be restricted to heaters of 30,000 Btu/hr (8.8 kW) capacity and larger.
6. If the building requires only one heater, place the Cata-Dyne™ heater as close as possible to the center of the longest wall.
7. For multiple heater installations, space the Cata-Dyne™ heaters as evenly as possible around the perimeter of the building.

8. Make sure the piping is large enough to handle the gas load (refer to the sample Piping Calculation in the Cata-Dyne™ catalog for sizing information).
9. Make sure the electrical starting system has sufficient current carrying capacity and conforms to all applicable electrical codes.
10. It is advisable to install an indicator light in the electrical circuit to reduce the possibility of the power being left on once the heater is started.

F.2 Spot Heating

1. There are several factors to consider when Cata-Dyne™ heaters are utilized for spot heating.
2. Infrared energy travels in straight lines from the face of the Cata-Dyne™ heater covering approximately 160° of an arc and is inversely proportional to the square of the distance. The heater should therefore be mounted as close as practical to the object requiring heat for maximum temperature rise. A minimum of 28" (710 mm).
3. Match the shape of the object requiring heat with the appropriate Cata-Dyne™ heater, e.g. WX/BX 6x24 for long narrow objects or WX/BX 12x12 for a square object.
4. Objects requiring heat should be painted dull, dark colors for maximum infrared absorption and objects not requiring heat should be painted light or reflective colors.
5. Insulate and protect plastic, rubber and similar materials from direct intense infrared heat.

G. CLEANING & PERSONAL SAFETY

G.1 Cleaning

The Cata-Dyne™ heater box may be cleaned but only once it has been allowed to cool. If your Cata-Dyne™ catalytic pad (white pad) is dirty it should never be contacted in order to avoid damaging it. This means that it should not be wiped down, sprayed with water or blown with compressed air. Any contact with the catalytic pad may damage the surface requiring the owner to return the unit to the factory for repair.

G.2 Personal Safety

The Cata-Dyne™ heater does not produce harmful carbon monoxide gas when used with natural gas or propane. Adequate ventilation must be incorporated in any building design to ensure oxygen replenishment and removal of any carbon dioxide. Protective grills should be used on any installation where personnel may come in contact with the face of the heater.

H. REPAIRS

If the Cata-Dyne™ heater malfunctions, and is no longer operating, send the heater to the factory for servicing. Do not attempt to service the unit.

When returning the heater you can fill out the online repair form at <http://www.ccithermal.com/online-repair-form.php> or include the following information with the heater when shipping:

1. Company name and address
2. Contact name
3. Telephone/fax number/email
4. Product model and serial numbers
5. Tagging codes
6. Advise if an estimate is required prior to starting the repair
7. P.O. Number
8. Description of problem(s) and/or required repairs
9. Special instructions (if applicable)
10. Return shipping instructions

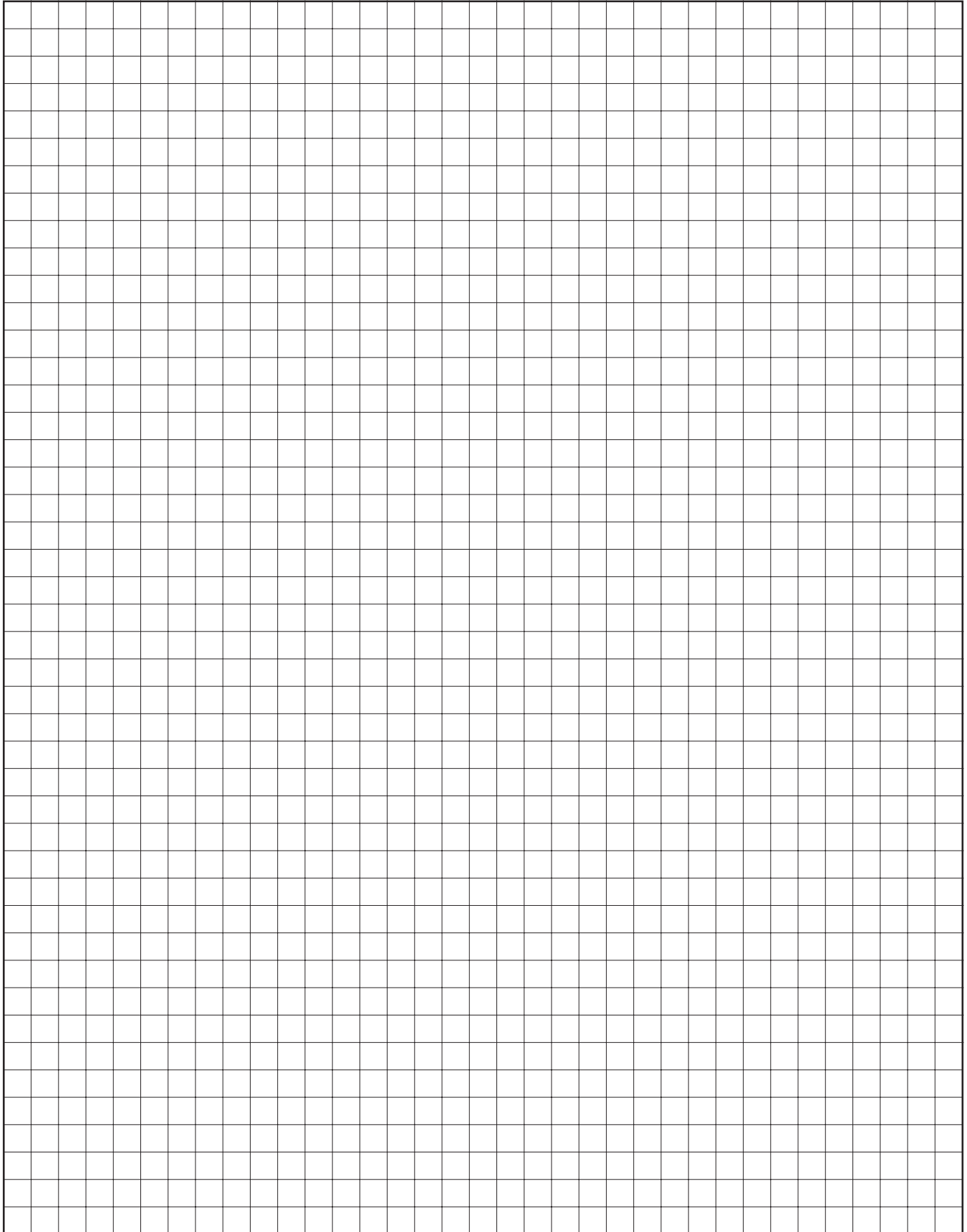
I. ORDERING INFORMATION

1. Quote requests can be made using our Online RFQ process found at: www.cata-dyne.com
2. Order any of Thermon Heating Systems' products by telephone, fax, mail, e-mail, or on-line at: www.cata-dyne.com
3. To assist us in processing your order as quickly and efficiently as possible, please provide us with the following information:
 - a. Cata-Dyne™ product name
 - i. Cata-Dyne™ model number
 - b. Fuel gas: natural gas or propane
 - c. Starting voltage: 12, 24, 120, 208, 240, 480, or 600
 - d. Accessories required:
 - i. Protection Grill
 - ii. Wall Mount Brackets
 - iii. Thermostat
 - iv. Regulator
 - v. Start Up Leads (12V system only)
 - vi. Vent Hood
 - vii. Other
 - e. Company name and contact
 - f. Billing address and phone number
 - g. Shipping instructions
 - h. Special tagging instructions
 - i. Date required
 - j. Method of payment:
 - i. On account: P.O. number required
 - ii. Credit card: VISA or Mastercard number
 - iii. Cash or cheque

J. TROUBLESHOOTING

1. Ensure that the fuel matches that listed on the nameplate.
2. Ensure that the voltage matches that listed on the nameplate.
3. Check for any physical damage. All signs of physical damage to the catalyst pad such as holes, tears or a general deterioration of the catalyst bed indicate that it is time to have the heater repaired. Excessive vibration may cause damage to the inner catalysts structure which may cause premature failure.
4. Check the gas supply pressure at the heater – 7" w.c. (1.73 kPa), 4.5" w.c. (1.12 kPa) or 3.5" w.c. (0.86 kPa) for natural gas and 11" w.c. (2.72 kPa) for propane.
5. Check the gas orifice for obstructions or dirt and ensure the size matches that listed on the nameplate. It may be necessary to install a filter upstream of the heater or regulator if the gas supply is dirty. If the fuel supply is constantly dirty and/or wet it would be advisable to use bottled propane fuel.
6. Check the mounting position of the heater. The face of the heater should be preferably in the vertical position and should not vary more than 45° from the vertical position for maximum efficiency.
7. Check for saturation of the catalyst face caused by condensation or rain running down the face of the heater. If the heater has been exposed to water, it is advisable to place the unit in a warm area for a period of a few hours or longer if required. Once the moisture is removed, the heater can be re-installed and re-started.
8. Check the start-up leads cable size to ensure that the resistance of the cable is not reducing the current to the heater. This would not allow sufficient power to the electrical element to preheat the catalyst to the activity temperature. It is recommended to run the service vehicle at fast idle while starting the heater.
9. Cata-Dyne™ heaters are designed to use clean fuel and to be used in non-contaminated atmospheres. Sulphur compounds in the fuel or atmosphere will poison the catalyst bed over a period of time and render the heater inoperative. If the heater has been exposed to sulphur compounds, it should be sent to the factory for service.
10. Avoid spraying the face of the heater with high-pressure air, steam or water because this can damage the catalyst bed, if physical damage is visible, return the heater to the factory for servicing.
11. Ensure that the thermostat is correct for the model size, fuel, and pressure specifications for the heater it is fitted to. If the thermostat is too low, the heater will not have sufficient fuel rating to operate and will stop.

NOTES



For further assistance, please call 24hr hotline: 1.800.661.8529 (U.S.A. and Canada)

Please have model and serial numbers available before calling.

WARRANTY: Under normal use the Company warrants to the purchaser that defects in material or workmanship will be repaired or replaced without charge for a period of 18 months from date of shipment, or 12 months from the start date of operation, whichever expires first. Any claim for warranty must be reported to the sales office where the product was purchased for authorized repair or replacement within the terms of this warranty.

Subject to State or Provincial law to the contrary, the Company will not be responsible for any expense for installation, removal from service, transportation, or damages of any type whatsoever, including damages arising from lack of use, business interruptions, or incidental or consequential damages.

The Company cannot anticipate or control the conditions of product usage and therefore accepts no responsibility for the safe application and suitability of its products when used alone or in combination with other products. Tests for the safe application and suitability of the products are the sole responsibility of the user.

This warranty will be void if, in the judgment of the Company, the damage, failure or defect is the result of:

- Vibration, radiation, erosion, corrosion, process contamination, abnormal process conditions, temperature and pressures, unusual surges or pulsation, fouling, ordinary wear and tear, lack of maintenance, incorrectly applied utilities such as voltage, air, gas, water, and others or any combination of the aforementioned causes not specifically allowed for in the design conditions or,
- Any act or omission by the Purchaser, its agents, servants or independent contractors which for greater certainty, but not so as to limit the generality of the foregoing, includes physical, chemical or mechanical abuse, accident, improper installation of the product, improper storage and handling of the product, improper application or the misalignment of parts.

No warranty applies to paint finishes except for manufacturing defects apparent within 30 days from the date of installation.

The Company neither assumes nor authorizes any person to assume for it any other obligation or liability in connection with the product(s).

The Purchaser agrees that all warranty work required after the initial commissioning of the product will be provided only if the Company has been paid by the Purchaser in full accordance with the terms and conditions of the contract.

The Purchaser agrees that the Company makes no warranty or guarantee, express, implied or statutory, (including any warranty of merchantability or warranty of fitness for a particular purpose) written or oral, of the Article or incidental labour, except as is expressed or contained in the agreement herein.

LIABILITY: Technical data contained in the catalog or on the website is subject to change without notice. The Company reserves the right to make dimensional and other design changes as required. The Purchaser acknowledges the Company shall not be obligated to modify those articles manufactured before the formulation of the changes in design or improvements of the products by the Company.

The Company shall not be liable to compensate or indemnify the Purchaser, end user or any other party against any actions, claims, liabilities, injury, loss, loss of use, loss of business, damages, indirect or consequential damages, demands, penalties, fines, expenses (including legal expenses), costs, obligations and causes of action of any kind arising wholly or partly from negligence or omission of the user or the misuse, incorrect application, unsafe application, incorrect storage and handling, incorrect installation, lack of maintenance, improper maintenance or improper operation of products furnished by the Company.



Edmonton

1-780-466-3178

F 780-468-5904

5918 Roper Road

Alberta, Canada T6B 3E1

Oakville

1-800-410-3131

1-905-829-4422

F 905-829-4430

Orillia

1-877-325-3473

1-705-325-3473

F 705-325-2106

Houston

1-855-219-2101

1-281-506-2310

F 281-506-2316

Denver

1-855-244-3128

1-303-979-7339

F 303-979-7350

Applications pour le radiateur catalytique

Instructions d'installation et d'utilisation



AVERTISSEMENT

AVERTISSEMENT. Une modification ou une altération inadéquate de l'installation, des vibrations excessives, un entretien mal effectué ou une réparation inappropriée peuvent causer des dommages matériels, des blessures ou la mort. Lire attentivement les instructions d'installation, d'utilisation et d'entretien avant d'installer ou d'entretenir l'équipement.

Remarques particulières

Les avertissements particuliers suivants attirent l'attention sur des renseignements importants dans les sections concernant l'installation et l'entretien. Chacun répond à une situation particulière et est illustré comme suit:



ATTENTION

Ce symbole indique une situation potentiellement dangereuse pouvant provoquer des blessures corporelles ou des dommages à l'équipement si elle ne peut pas être évitée.



AVERTISSEMENT

Ce symbole indique une situation potentiellement dangereuse pouvant présenter un danger d'électrocution si elle ne peut pas être évitée.



AVERTISSEMENT

Ce symbole indique une situation potentiellement dangereuse pouvant provoquer la mort ou des blessures graves si elle ne peut pas être évitée.

TABLE DES MATIÈRES

A. Homologation et utilisation prévue	15
A.1 Homologation	15
A.2 Usage prévu	15
B. Spécifications	15
B.1 Modèle MKII (série X)	15
B.2 Modèle BX (série G)	15
B.3 Modèle WX (série X)	16
B.4 Modèle WXS (série X)	16
B.5 Modèle BX (séries X et G)	16
C. Installation	17
C.1 Distances de dégagement	17
C.2 Combustibles	17
C.3 Tuyauterie	17
C.4 Électricité	18
C.5 Ventilation	18
D. Fonctionnement	19
D.1 Mise en marche	19
D.2 Mise hors tension	19
D.3 Mise en marche de plusieurs radiateurs	19
E. Installations électriques 12 V dangereuses	20
F. Chauffage de l'espace et localisé	21
F.1 Chauffage de l'espace	21
F.2 Chauffage localisé	21
G. Nettoyage et protection personnelle	21
G.1 Nettoyage	21
G.2 Protection personnelle	21
H. Réparations	23
I. Renseignements pour les commandes	23
J. Dépannage	

A. HOMOLOGATION ET UTILISATION PRÉVUE

A.1 Homologation

1. Les radiateurs catalytiques infrarouges au gaz sans flamme antidéflagrants des modèles WX (série X) et MKII (série X) de Cata-Dyne^{MC} sont homologués par l'Association canadienne de normalisation (CSA) pour une utilisation dans des emplacements classifiés dangereux de classe I, divisions 1 et 2, groupe D, code de température T2C, à une température ambiante de 40°C (104°F).
2. Le modèle WXS (série X) est approuvé FM pour la classe I, division 1, groupe D et le code de température T2B à une température ambiante maximale de 40°C (104°F). Le modèle BX (série X) et le modèle MKII (série X) sont approuvés FM pour la classe I, division I, groupe D et le code de température T2C à une température ambiante maximale de 40°C (104°F).
3. Les modèles WX (série X) sont certifiés CE pour une utilisation dans des atmosphères contenant des gaz, catégorie 2, zones 1 et 2, groupe IIA.

4. Le radiateur Cata-Dyne^{MC} modèle BX (série G) est homologué CSA et approuvé FM pour une utilisation dans des emplacements industriels généraux ne présentant pas de danger. Les modèles présentés sont homologués pour une utilisation industrielle uniquement, soit avec du gaz naturel ou du gaz propane.
5. Les modèles homologués CSA sont équipés pour être utilisés à de hautes altitudes: 0 à 4500 pi (0 à 1370 m) au-dessus du niveau de la mer. Les modèles approuvés FM sont équipés pour être utilisés à de hautes altitudes: 0 à 6000 pi (0 à 1829 m) au-dessus du niveau de la mer.

A.2 Usage prévu

Le radiateur Cata-Dyne^{MC} peut être utilisé dans tous les sites industriels intérieurs où une source de chaleur radiante infrarouge est requise, lorsqu'une ventilation adéquate est disponible.

B. SPÉCIFICATIONS

Afin d'assurer l'efficacité maximale de votre radiateur Cata-Dyne^{MC}, celui-ci devrait être installé de manière à ce que la surface de chauffage soit positionnée selon un angle de plus ou moins 45 degrés par rapport au plan vertical et à une hauteur maximale de 8 pi (2,44 m). Tous les radiateurs doivent être installés conformément à la version la plus récente des codes décrits dans le Tableau 1, page 15 et conformément à tous les codes et règlements locaux. Il est nécessaire d'examiner attentivement tous les renseignements contenus sur la plaque signalétique avant d'installer le radiateur. La plaque signalétique énumère toutes les exigences du radiateur en matière de combustible et d'électricité.

Tableau 1 – Exigences du Code national

Pour les radiateurs Cata-Dyne ^{MC} installés:		
au Canada	aux États-Unis	à travers le monde
- CSA/CAN-C22.1-02, Code canadien de l'électricité	- 70, National Electrical Code NFPA	- l'équipement conformément aux codes locaux, nationaux et internationaux sur les combustibles et l'électricité
- CSA/CAN-B149.1, Code d'installation du gaz naturel et du propane	- 54, National Fuel Gas Code	

B.1 Modèle MKII (série X)

Homologué CSA et FM pour une utilisation dans des emplacements dangereux (classifiés) de classe I, divisions 1 et 2, groupe D, Code T T2C.

Tableau 2 – Modèle MKII (série X)

Numéro de modèle	Spécifications pour le gaz naturel et le gaz propane	
	Btu/h max.	kW max.
MKII 12x12	5,000	1.464
MKII 12x24	10,000	2.929
MKII 18x24	15,000	4.393
MKII 18x48	30,000	8.786
MKII 24x24	20,000	5.857
MKII 24x48	40,000	11.715

B.2 Modèle BX (série G)*

Homologué CSA pour une utilisation dans des emplacements industriels généraux ne présentant pas de danger.

Table 3 – Modèle BX (série G)

Numéro de modèle	Spécifications pour le gaz naturel et le gaz propane			
	Btu/h max.		kW max.	
	LPG	NAT	LPG	NAT
BX 6x6	1,250	1,500	0.366	0.439
BX 6x12	2,500	3,000	0.732	0.879
BX 6x24	5,000	6,000	1.464	1.757
BX 8x8	2,222	2,667	0.651	0.781
BX 10x12	4,167	5,000	1.220	1.464
BX 12x12	5,000	6,000	1.464	1.757
BX 12x24	10,000	12,000	2.929	3.514
BX 12x36	15,000	18,000	4.393	5.272
BX 12x48	20,000	24,000	5.857	7.029
BX 12x60	25,000	30,000	7.322	8.786
BX 12x72	30,000	36,000	8.786	10.543
BX 18x24	15,000	18,000	4.393	5.272
BX 18x30	18,750	22,500	5.491	6.590
BX 18x36	22,500	27,000	6.590	7.908
BX 18x48	30,000	36,000	8.786	10.543
BX 18x60	37,500	45,000	10.983	13.179
BX 18x72	45,000	54,000	13.179	15.815
BX 24x24	20,000	24,000	5.857	7.029
BX 24x30	25,000	30,000	7.322	8.786
BX 24x36	30,000	36,000	8.786	10.543
BX 24x48	40,000	48,000	11.715	14.058
BX 24x60	50,000	60,000	14.644	17.572

*Modèle homologué CSA seulement

B.3 Modèle WX (série X)

Homologué CSA et FM pour une utilisation dans des emplacements dangereux (classifiés) de classe I, divisions 1 et 2, groupe D, Code T2C.

Tableau 4 – Modèle WX (série X)

Numéro de modèle	Spécifications pour le gaz naturel et le gaz propane	
	Btu/h max.	kW max.
WX 6x6	1,250	0.366
WX 6x12	2,500	0.732
WX 6x24	5,000	1.464
WX 6x60	12,500	3.661
WX 8x8	2,222	0.651
WX 10x12	4,167	1.220
WX 12x12	5,000	1.464
WX 12x24	10,000	2.929
WX 12x36	15,000	4.393
WX 12x48	20,000	5.857
WX 12x60	25,000	7.322
WX 12x72	30,000	8.786
WX 18x24	15,000	4.393
WX 18x30	18,750	5.491
WX 18x36	22,500	6.590
WX 18x48	30,000	8.786
WX 18x60	37,500	10.983
WX 18x72	45,000	13.179
WX 24x24	20,000	5.857
WX 24x30	25,000	7.322
WX 24x36	30,000	8.786
WX 24x48	40,000	11.715
WX 24x60	50,000	14.644
WX 24x72	60,000	17.572

B.4 Modèle WXS (série X)**

Homologué FM pour une utilisation dans des emplacements dangereux (classifiés) de classe I, division 1, groupe D, Code T T2B.

Tableau 5 – Modèle WXS (série X)

Numéro de modèle	Spécifications pour le gaz naturel et le gaz propane		
	Btu/h max.	kW max.	
WXS 6x6	1,750	0.513	
WXS 6x12	3,500	1.025	
WXS 6x24	7,000	2.050	
WXS 8x8	3,111	0.911	
WXS 10x12	5,833	1.709	
WXS 12x12	7,000	2.050	
WXS 12x24	14,000	4.101	
WXS 12x36	21,000	6.151	
WXS 12x48	28,000	8.201	
WXS 24x24	28,000	8.201	
WXS 24x36	42,000	12.302	
WXS 24x48	56,000	16.402	
Rond	WXS08	2,500	0.732
	WXS12	5,500	1.611

B.5 Modèle BX (séries X et G)**

Série X : Approuvé FM pour une utilisation dans des emplacements dangereux (classifiés) de classe I, division 1, groupe D, Code T T2C.

Série G : Approuvé FM pour les emplacements industriels généraux ne présentant pas de danger.

Tableau 6 – Modèle BX (séries X et G)

Numéro de modèle	Spécifications pour le gaz naturel et le gaz propane	
	Btu/h max.	kW max.
BX 6x6	1,500	0.439
BX 6x12	3,000	0.879
BX 6x24	6,000	1.757
BX 8x8	2,667	0.781
BX 10x12	5,000	1.464
BX 12x12	6,000	1.757
BX 12x24	12,000	3.514
BX 12x36	18,000	5.272
BX 12x48	24,000	7.029
BX 12x60	30,000	8.786
BX 12x72	36,000	10.543
BX 18x24	18,000	5.272
BX 18x30	22,500	6.590
BX 18x36	27,000	7.908
BX 18x48	36,000	10.543
BX 18x60	45,000	13.179
BX 18x72	54,000	15.815
BX 24x24	24,000	7.029
BX 24x30	30,000	7.322
BX 24x36	36,000	10.543
BX 24x48	48,000	14.058
BX 24x60	60,000	17.572
BX 24x72	72,000	21.087

**Modèle homologué FM seulement.

C.1 Distances de dégagement

Un dégagement approprié de la surface de chauffage doit être respecté durant l'installation des radiateurs Cata-Dyne^{MC} (voir la Figure 1 et les Tableaux 7–10, page 17). Veiller à respecter le dégagement mentionné sur la plaque signalétique pour les matériaux comme le bois, les tissus, le papier, etc. Lorsque le radiateur doit être installé en hauteur, s'assurer de conserver le dégagement mentionné à la Figure 1 et dans les Tableaux 7–10, page 17 pour les véhicules stationnés en dessous.

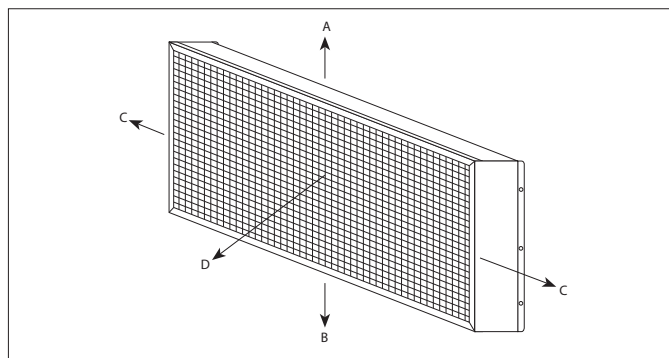


Figure 1 – Dégagement du radiateur

Tableau 7 – A: Haut (dégagement du radiateur)

Position de la surface radiante	Jusqu'à 12 000 BTU/h (3,514 kW)		12 000 à 48 000 BTU/h (14,058 kW)		Plus de 48 000 BTU/h (17,572 kW)	
	po	mm	po	mm	po	mm
Vertical (0°)			18	457	42	1067
0 à 45° vers le haut	18	457	32	813	54	1372
0 à 45° vers le bas			18	457	18	457

Tableau 8 – B: Bottom (dégagement du radiateur)

Position de la surface radiante	Jusqu'à 12 000 BTU/h (3,514 kW)		12 000 à 48 000 BTU/h (14,058 kW)		Plus de 48 000 BTU/h (17,572 kW)	
	po	mm	po	mm	po	mm
Vertical (0°)	7	178	12	305	18	457
0 à 45° vers le haut	0	0	12	305	18	457
0 à 45° vers le bas	22	559	24	610	42	1067

Tableau 9 – D: Surface radiante (dégagement du radiateur)

Position de la surface radiante	Jusqu'à 12 000 BTU/h (3,514 kW)		12 000 à 48 000 BTU/h (14,058 kW)		Plus de 48 000 BTU/h (17,572 kW)	
	po	mm	po	mm	po	mm
Vertical (0°)						
0 à 45° vers le haut	28	711	42	1067	60	1524
0 à 45° vers le bas						

Tableau 10 – C: Side (dégagement du radiateur)

Position de la surface radiante	Tous les radiateurs jusqu'à 60 000 BTU/h (17,572 kW)	
Vertical (0°)		
0 à 45° vers le haut	12	305
0 à 45° vers le bas		

Remarque: Veiller à respecter le dégagement mentionné sur la plaque signalétique pour les matériaux comme le bois, les tissus et le papier ainsi que tout véhicule stationné à proximité du radiateur.

C.2 Combustibles

1. Le radiateur au gaz sans flamme Cata-Dyne^{MC} est conçu pour fonctionner avec du gaz naturel ou du gaz propane propre et sec, comme indiqué sur la plaque signalétique du radiateur.
2. Gaz naturel – ces radiateurs sont conçus pour utiliser du gaz naturel (1 000 BTU/pi³, 37 MJ/m³) à une pression de 7 po CE (1,73 kPa), 4,5 po CE (1,12 kPa) ou 3,5 po CE (0,86 kPa).
3. Propane – ces radiateurs sont conçus pour utiliser du gaz propane (2 500 BTU/pi³, 92 MJ/m³) à 11 po CE (2,72 kPa).

C.3 Tuyauterie

1. Une vanne d'arrêt doit être installée en amont de tout dispositif auxiliaire de contrôle du radiateur.
2. La vanne de sécurité à arrêt complet (SSOV) ASV375 et le régulateur de l'appareil (radiateurs au gaz naturel uniquement) peuvent être installés en position horizontale ou verticale. Les plus anciens modèles de radiateurs avec la vanne d'arrêt de sécurité H17 doivent être installés debout (horizontalement) SEULEMENT.
3. Le dispositif d'ajustement de la température thermostatique peut être installé en position horizontale ou verticale.
4. La pression maximale d'entrée de la vanne de sécurité à arrêt complet (SSOV), du dispositif d'ajustement de la température thermostatique et du régulateur de l'appareil est de 1/2 psi (3,4 kPa). Si la pression d'entrée est supérieure à cette valeur, un régulateur de service basse pression doit être installé en amont de ces composants.
5. La pression d'entrée maximale du régulateur de service basse pression (disponible chez Thermon Heating Systems est de 250 psi (1,7 MPa). Si la pression d'entrée est supérieure à cette valeur, un régulateur de haute pression doit être installé en amont.
Lorsque la pression d'entrée est inférieure à 25 psi (0,17 MPa), un régulateur de service de rechange pourrait devoir être fourni. Communiquer avec Thermon Heating Systems pour obtenir des recommandations sur les installations à gaz à faible pression.
6. Si un régulateur de service, basse pression, est utilisé, un allègement supplémentaire pourrait être exigé pour une protection complète contre la surpression des composants en aval. Une vanne de décharge, Fisher 289U, peut fournir une protection complète des composants dans le cadre d'une installation typique.
7. Pour l'installation, voir la Figure 2, page 18 pour le radiateur Cata-Dyne^{MC} typique et la Figure 3, page 18 pour le modèle MKII au gaz naturel.

Remarque: Les régulateurs de gaz de l'appareil et les vannes d'arrêt manuel sont des composants standards requis pour tous les radiateurs homologués CSA; ce sont des accessoires offerts en option avec les radiateurs approuvés FM Installation typique d'un radiateur Cata-Dyne^{MC} au gaz naturel.

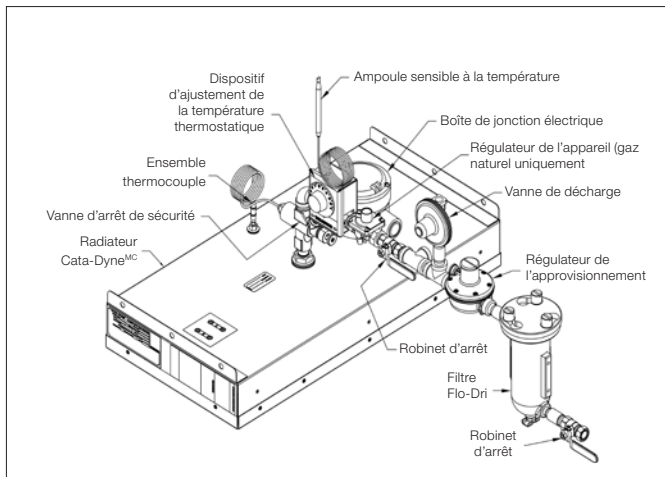


Figure 2 – Installation typique d'un radiateur Cata-Dyne^{MC} au gaz naturel

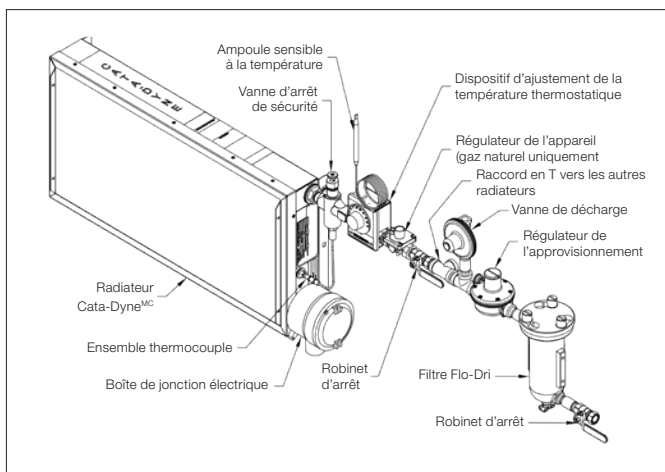


Figure 3 — Installation au gaz naturel typique (modèle MKII uniquement)

C.4 Électricité

Remarque: Ensure that the heater is not operational in an excessive vibration environment or premature failure of the heater may occur.

1. Le câblage doit être installé conformément à la plus récente version du Code canadien de l'électricité (CCE) et du Code national de l'électricité (CNE) aussi qu'à tout code local en vigueur.
2. Il est souhaitable d'installer un voyant lumineux sur tous les systèmes de mise en marche. Ceci permet de diminuer le risque de les laisser sous tension après que le radiateur ait été mis en marche, ce qui peut gravement diminuer la durée de vie de l'appareil.
3. Des mises à la terre sont requises pour les radiateurs utilisant un voltage de 120 V et plus, comme illustré aux Figures 4 et 5, page 18.
4. Deux ou quatre bornes peuvent être requises dans la boîte de jonction, selon le nombre d'éléments utilisés dans la fabrication du radiateur. Tous les modèles MKII intègrent un seul élément et, par conséquent, ne contiennent que deux bornes. Les procédés de branchement pour les différentes combinaisons sont illustrés dans les Figures 4 et 5, page 18.



ATTENTION. Installer les radiateurs de la série MKII de manière à ce que le dispositif de commande se trouve sur les côtés ou la partie inférieure du radiateur **UNIQUEMENT**.

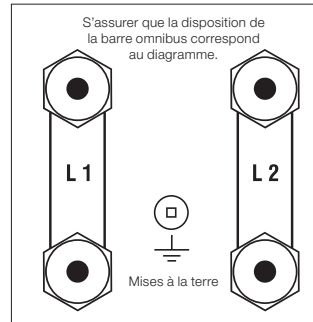


Figure 4 – Éléments en parallèle

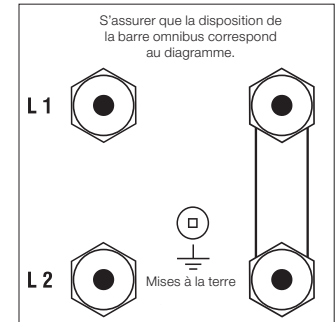


Figure 5 – Éléments en série

C.5 Ventilation

1. La réaction catalytique dans les radiateurs Cata-Dyne^{MC} se produit lorsque le gaz naturel ou le gaz propane réagit avec l'oxygène pour produire de la vapeur d'eau, du gaz carbonique et de l'énergie infrarouge. Une ventilation doit être fournie pour assurer un apport d'oxygène adéquat afin de permettre à la réaction de se produire.
2. Pour chaque 1,0 pi² (0,093 m²) de surface du radiateur, 50 pi³/h (1,42 m³/h) d'air sont requis. Par exemple, un radiateur WX 24 x 24 (20 000 BTU/h ou 5 857 kW) nécessiterait 200 pi³/h (5,66 m³/h) d'air pour fonctionner adéquatement. Voir le Tableau 11, page 18 pour connaître les exigences en matière d'approvisionnement en air.
3. Afin de diminuer les concentrations en dioxyde de carbone et en vapeur d'eau dans le bâtiment, un assemblage de hotte de ventilation peut être installé afin de fournir une ventilation à pression positive à partir du radiateur (Figure 6, page 18).

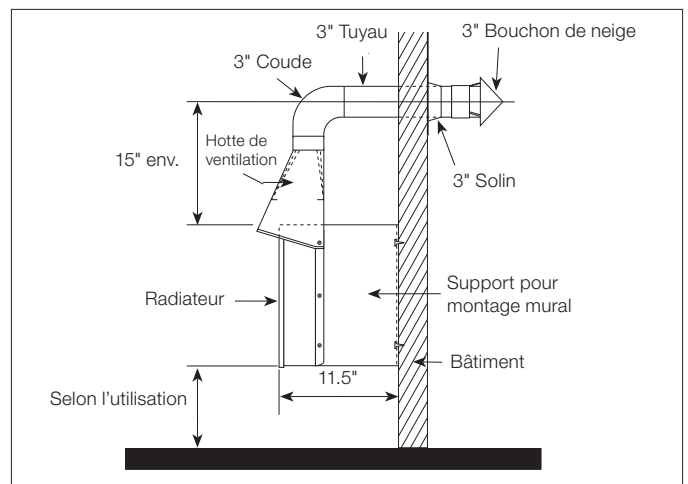


Figure 6 – Ventilation à partir du radiateur

Tableau 11 – Ventilation à partir du radiateur

Heater Series	pi ³ /h d'air par pi ² de surface du radiateur	m ³ d'air par m ² de surface du radiateur
WX/MKII (CSA/FM)	50	15.3
BX (CSA)	50	15.3
BX (FM)	60	18.3
WXS (FM)	70	21.3

D. FONCTIONNEMENT

Tous les radiateurs Cata-Dyne^{MC} sont fournis avec un assemblage de vanne d'arrêt de sécurité avec thermocouple pour le fonctionnement sécuritaire du radiateur. En aucun cas, le bouton de réenclenchement ne doit être tenu enfoncé ou bloqué mécaniquement dans cette position. Un modèle de vanne d'arrêt de sécurité inviolable est disponible si désiré.

D.1 Mise en marche

1. S'assurer que le radiateur a été installé conformément à toutes les instructions fournies et conformément aux codes en vigueur applicables.
2. Ouvrir l'approvisionnement principal du gaz pour alimenter le système.
3. Si le radiateur est muni d'un dispositif d'ajustement de la température thermostatique à faible débit (capable de débits inférieurs à 30 000 BTU/h), tourner le cadran dans le sens horaire à fond, jusqu'en position d'ouverture complète.
4. Si le radiateur est muni d'un dispositif d'ajustement de la température thermostatique à haut débit (capable de débits supérieurs à 30 000 BTU/h), tourner le cadran dans le sens antihoraire à fond, jusqu'en position d'ouverture complète.
5. Mettre sous tension les éléments électriques.
6. Après 15–20 minutes, appuyer sur le bouton de réenclenchement situé sur le dessus de la vanne de sécurité à arrêt complet.

Le bouton devrait revenir à la position d'origine et ouvrir la vanne interne afin de permettre au gaz d'entrer dans le radiateur. Si la vanne ne demeure pas ouverte après avoir appuyé sur le bouton de réenclenchement, il peut être nécessaire d'attendre quelques minutes de plus et d'appuyer à nouveau sur le bouton de réenclenchement. Ainsi les éléments électriques auront un délai supplémentaire pour permettre leur réchauffement.

7. Lorsque la réaction catalytique est bien amorcée, mettre les éléments hors tension et attendre pendant une période supplémentaire.
8. Lorsque le radiateur est muni d'un régulateur de température, il peut être réglé selon les paramètres souhaités une fois que la réaction catalytique a été amorcée pendant une période d'au moins une heure.

D.2 Mise hors tension

Couper l'approvisionnement en gaz du radiateur.

D.3 Mise en marche de plusieurs radiateurs

Les radiateurs Cata-Dyne^{MC} peuvent être achetés ou installés afin de former des ensembles composés de plusieurs radiateurs. Si ces ensembles fonctionnent sur une tension de 12V, chaque radiateur doit être mis en marche individuellement. Ceci permet d'assurer le respect de la tension adéquate et d'assurer que le courant atteindra le radiateur.

E. INSTALLATIONS ÉLECTRIQUES 12 V DANGEREUSES

La plupart des bâtiments de production de pétrole et de gaz ont une zone classée comme suit:

1. Classe I, division 1 (zone 1), à l'intérieur du bâtiment. Voir le Figure 7 et Figures 7 and 8, page 20.
2. Classe I, division 2 (zone 2), jusqu'à 10 pi (3 m) du bâtiment dans n'importe quelle direction. Voir les Figure 7 et Figures 7 and 8, page 20.
3. Classe I, division 2 (zone 2), entre 10 pi (3 m) et 25 pi (7,6 m) du bâtiment dans n'importe quelle direction et à une hauteur de 18 po (0,45 m) au-dessus du sol. Voir les Figure 7 et Figures 7 and 8, page 7.
4. Le branchement à l'alimentation électrique doit être effectué à l'extérieur de l'emplacement de classe I, division 2 (Figure 9, page 20). Tous les dispositifs électriques ainsi que le câblage dans cette zone doivent être conformes aux codes appropriés.

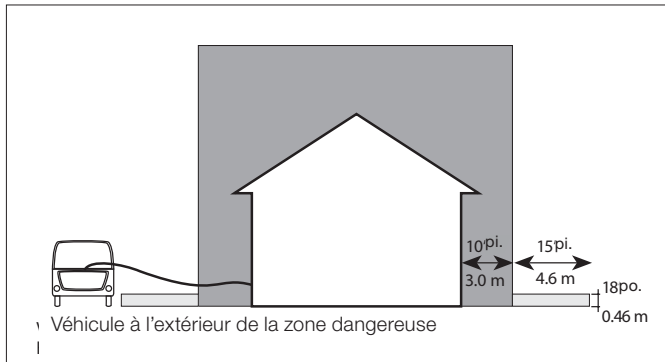


Figure 7 – Emplacement du véhicule

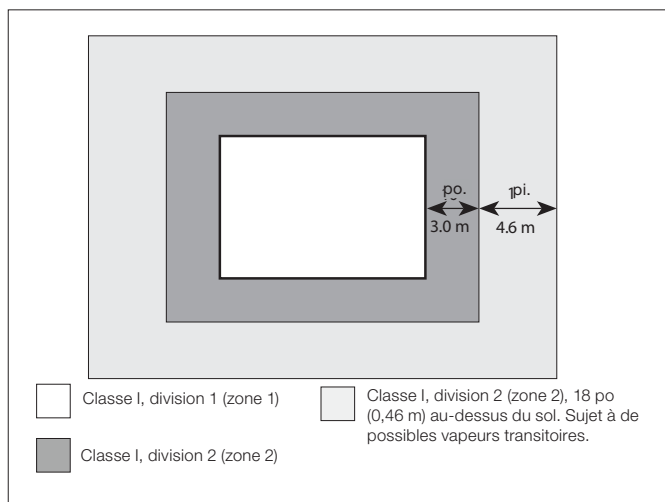


Figure 8 – Classes et divisions

CAUTION. Brancher la batterie à l'extérieur et à une distance de 25 pi (7,6 m), dans la zone ne présentant pas de danger.

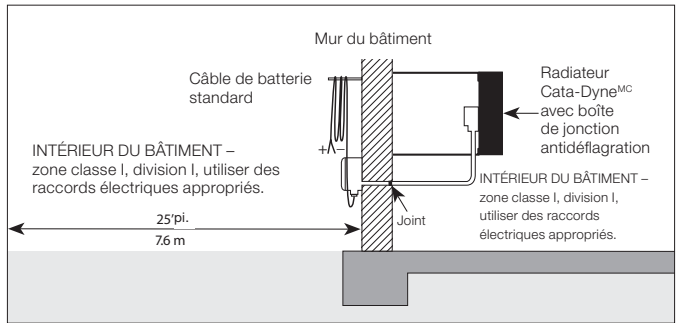


Figure 9 – Raccordement de l'alimentation (voir l'avertissement ci-dessous).

F. CHAUFFAGE DE L'ESPACE ET LOCALISÉ

F.1 Chauffage de l'espace

1. Un calcul de charge thermique séparée doit être effectué pour chaque bâtiment dans lequel un radiateur Cata-Dyne^{MC} sera installé pour le chauffage de l'espace.
2. Le calcul de la charge thermique détermine la perte de chaleur du bâtiment en raison de la structure et des infiltrations d'air. Pour des exemples de calcul de charge thermique, visiter le www.cata-dyne.com.
3. Les radiateurs Cata-Dyne^{MC} produisent une chaleur infrarouge de faible intensité qui est absorbée par les objets à portée de la source de chaleur. Plus l'objet est près de la source de chaleur, plus l'objet absorbera la chaleur. Les radiateurs Cata-Dyne^{MC} doivent être placés près du sol dans le bâtiment pour chauffer les objets situés près du sol.
4. Idéalement, les radiateurs Cata-Dyne^{MC} devraient être montés de 1 à 3 pi (0,3 à 1 m) au-dessus du sol et répartis également sur le périmètre du bâtiment pour les applications de chauffage de l'espace.
5. Si un montage près du sol n'est pas possible, un montage en hauteur peut être effectué. Les radiateurs montés en hauteur doivent être fixés de manière à ce que la surface avant de l'appareil ait un angle de 45 degrés afin de diriger l'énergie infrarouge vers le sol. Les montages en hauteur devraient être limités aux radiateurs d'une capacité de 30 000 BTU/h (8,8 kW) et plus.
6. Si le bâtiment nécessite un seul radiateur, placer le radiateur Cata-Dyne^{MC} le plus proche possible du centre du mur le plus long.
7. Pour une installation de plusieurs radiateurs, répartir le plus possible les radiateurs Cata-Dyne^{MC} de manière égale sur le périmètre du bâtiment.
8. S'assurer que la tuyauterie est suffisamment importante

pour prendre en charge les volumes de gaz (se reporter à l'exemple de calcul de la tuyauterie dans le catalogue Cata-Dyne^{MC} pour obtenir des renseignements relativement aux grosseurs).

9. S'assurer que le système de démarrage électrique a une capacité de transport de courant suffisante et qu'il est conforme à tous les codes applicables en matière d'électricité.
10. Il est recommandé d'installer un voyant lumineux sur le circuit électrique afin de diminuer le risque de laisser l'alimentation après que le radiateur ait été mis en marche.

F.2 Chauffage localisé

1. Plusieurs facteurs doivent être pris en compte lorsque les radiateurs Cata-Dyne^{MC} sont utilisés pour un chauffage localisé.
2. L'énergie infrarouge voyage en ligne droite depuis la surface avant du radiateur Cata-Dyne^{MC} pour couvrir un arc d'environ 160 degrés et elle est inversement proportionnelle au carré de la distance. Le radiateur doit donc être installé aussi près que possible de l'objet à chauffer pour une élévation de température maximale. Un minimum de 710 mm (28 po).
3. Faire correspondre la forme de l'objet nécessitant de la chaleur avec le bon radiateur Cata-Dyne^{MC}, p. ex., le WX/BX 6x24 pour de longs objets minces ou le WX/BX 12x12 pour un objet carré.
4. Les objets nécessitant de la chaleur doivent être peints en couleurs ternes ou foncées pour une absorption maximale des infrarouges et les objets ne nécessitant pas de chaleur doivent être peints en couleurs pâles ou réfléchissantes.
5. Isoler et protéger le plastique, le caoutchouc et les matériaux similaires d'une exposition directe et intense à la chaleur infrarouge.

G. NETTOYAGE ET PROTECTION PERSONNELLE

G.1 Nettoyage

Le boîtier du radiateur Cata-Dyne^{MC} peut être nettoyé, mais uniquement lorsqu'il a été refroidi. Le bloc catalytique Cata-Dyne^{MC} (bloc blanc) ne doit jamais être touché lorsqu'il est sale afin d'éviter de l'endommager. Ceci signifie qu'il ne doit pas être essuyé, arrosé ou nettoyé à l'aide d'un jet d'air comprimé. Tout contact avec le filtre catalytique peut endommager la surface; le propriétaire devra retourner l'unité à l'usine pour une réparation.

G.2 Protection personnelle

Le radiateur Cata-Dyne^{MC} ne produit pas de monoxyde de carbone nocif lorsqu'il est utilisé avec du gaz naturel ou du gaz propane. Une ventilation adéquate doit être intégrée à la conception de tout bâtiment afin d'assurer le renouvellement de l'oxygène et l'élimination du dioxyde de carbone. Des grilles de protection doivent être utilisées avec toute installation lorsque des membres du personnel peuvent entrer en contact avec la surface de la partie avant du radiateur.

H. RÉPARATIONS

En cas de dysfonctionnement du radiateur Cata-Dyne^{MC} et d'arrêt de son fonctionnement, envoyer le radiateur à l'usine pour réparation. Ne pas tenter de réparer l'appareil.

Lors du retour du radiateur, veuillez remplir le formulaire de réparation en ligne à l'adresse <http://www.ccithermal.com/online-repair-form.php> ou inclure les renseignements suivants avec le radiateur lors de l'expédition:

1. Nom et adresse de l'entreprise
2. Personne-ressource
3. Numéro de téléphone, numéro de télécopieur, adresse courriel
4. Numéros du modèle et de série du produit
5. Codes de marquage
6. Précisez si une estimation est nécessaire avant d'effectuer la réparation
7. Numéro du bon d'achat
8. Description du ou des problèmes et/ou des réparations requises
9. Instructions particulières (le cas échéant)
10. Instructions d'expédition pour le retour

I. RENSEIGNEMENTS POUR LES COMMANDES

1. Les demandes de devis peuvent être faites en utilisant notre processus RFQ en ligne au www.cata-dyne.com
2. Il est possible de commander les produits Thermon Heating Systems par téléphone, télécopieur, courrier, courriel ou directement en ligne au www.cata-dyne.com
3. Afin de nous aider à traiter votre commande le plus rapidement et le plus efficacement possible, veuillez nous fournir les renseignements suivants:
 - a. Nom du produit Cata-Dyne^{MC} Numéro du modèle Cata-Dyne^{MC}
 - b. Gaz combustible – gaz naturel ou gaz propane
 - c. Tension de démarrage: 12, 24, 120, 208, 240, 480 ou 600
 - d. Accessoires requis:
 - i. Grille de protection
 - ii. Support pour montage mural
 - iii. Thermostat
 - iv. Régulateur v. Câbles de démarrage (système 12 V uniquement)
 - v. Hotte de ventilation
 - vi. Autre
 - e. Nom et coordonnées de l'entreprise
 - f. Adresse de facturation et numéro de téléphone
 - g. Instructions d'expédition
 - h. Instructions particulières relativement à l'étiquetage
 - i. Date de livraison requise
 - j. Mode de paiement:
 - i. Inscription au compte: Numéro du bon d'achat requis
 - ii. Carte de crédit : Numéro VISA ou MasterCard
 - iii. En argent ou par chèque

J. DÉPANNAGE

1. Confirmer que le carburant est conforme aux indications de la plaque signalétique.
2. Confirmer que la tension est conforme aux indications de la plaque signalétique.
3. Vérifier la présence de dommages matériels. Les signes de dommage matériel au bloc catalytique comme les trous, les déchirures ou toute détérioration générale du lit du catalyseur signifient qu'il est temps de faire réparer le radiateur. Une vibration excessive peut causer des dommages à la structure interne du catalyseur; ceci peut provoquer une défaillance prématurée.
4. Vérifier la pression d'approvisionnement en gaz au radiateur – 7 po CE (1,73 kPa), 4,5 po CE (1,12 kPa) ou 3,5 po CE (0,86 kPa) pour le gaz naturel et 11 po CE (2,72 kPa) pour le gaz propane.
5. Vérifier que l'orifice du gaz est exempt d'obstruction ou de saletés et confirmer que sa taille correspond à ce qui est indiqué sur la plaque signalétique. Il peut être nécessaire d'installer un filtre en amont du radiateur ou du régulateur de débit si l'approvisionnement en gaz contient des impuretés. Si l'approvisionnement en combustible contient toujours des impuretés ou si le gaz est humide, il peut être recommandé d'utiliser du gaz propane en bouteille.
6. Vérifier la position du montage du radiateur. La partie avant du radiateur doit préférablement être en position verticale et ne doit pas varier d'un angle supérieur à 45 degrés par rapport à la position verticale afin d'assurer une efficacité maximale.
7. Vérifier la présence de condensation ou d'eau de pluie coulant sur la partie avant du radiateur, ce qui peut provoquer une saturation de surface du catalyseur. Si le radiateur a été exposé à de l'eau, il est conseillé de placer l'unité dans un endroit chaud durant quelques heures ou durant une période plus longue si nécessaire. Lorsque l'humidité s'est évaporée, le radiateur peut être réinstallé et remis en marche.
8. Vérifier le calibre du câble de démarrage afin de confirmer que sa résistance ne réduit pas le courant vers le radiateur. Une telle situation empêcherait l'arrivée de la quantité suffisante d'énergie nécessaire pour que l'élément électrique puisse préchauffer le catalyseur jusqu'à la température de fonctionnement. Il est recommandé de faire fonctionner le véhicule de service en mode ralenti rapide pour la mise en marche du radiateur.
9. Les radiateurs Cata-Dyne^{MC} sont conçus pour utiliser des carburants propres et être utilisés dans des atmosphères non contaminées. Les composés sulfurés présents dans le combustible ou dans l'environnement contamineront le lit du catalyseur au fil du temps et celui-ci sera rendu inopérant. Lorsque le radiateur a été exposé à des composés sulfurés, celui-ci doit être envoyé à l'usine pour un entretien.
10. Éviter de pulvériser la partie avant du radiateur avec de l'air, un jet d'eau ou de l'eau sous haute pression, car ces pratiques peuvent endommager le lit du catalyseur; lorsque des dommages matériels sont visibles, retourner le radiateur à l'usine pour un entretien.
11. S'assurer que le thermostat est conforme aux spécifications en matière de taille du modèle, de carburant et de pression du radiateur auquel il est rattaché. Si le thermostat est réglé trop bas, le radiateur ne recevra pas le carburant nécessaire à son fonctionnement et s'arrêtera.

Pour obtenir une aide supplémentaire, veuillez appeler: 1-800-661-8529 (U.S.A. and Canada)

Merci de préparer vos numéros de modèle et de série avant d'appeler.

GARANTIE: Dans des conditions normales d'utilisation, la Société garantit à l'acheteur que les produits ayant des défauts matériels ou de fabrication seront réparés ou remplacés sans frais pour une période de 18 mois à compter de la date d'expédition ou 12 mois à partir de la date de début de fonctionnement, selon la date qui arrive à expiration la première. Toute réclamation dans le cadre de la garantie doit être adressée à l'agence commerciale dans laquelle le produit a été acheté afin d'obtenir une réparation ou un remplacement selon les termes de cette garantie.

Non obstant toute loi fédérale ou provinciale au contraire, la Société ne pourra être tenue pour responsable des frais encourus pour l'installation, le retrait du service, le transport ou les dommages de quelque nature que ce soit, y compris les dommages résultant d'un manque d'utilisation, d'interruptions d'activité ou de dommages directs ou indirects.

La Société ne peut anticiper ou contrôler les conditions d'utilisation du produit et, par conséquent, décline toute responsabilité quant à l'application et l'adaptation en toute sécurité de ses produits lors de leur utilisation seuls ou en combinaison avec d'autres produits. Il est de la seule responsabilité de l'utilisateur d'effectuer des tests pour vérifier l'application et l'adaptation en toute sécurité des produits.

Cette garantie sera nulle si, à l'appréciation de la Société, le dommage, la panne ou le défaut a été causé par:

- Des vibrations, des radiations, de l'érosion, de la corrosion, une contamination du processus, des conditions opératoires anormales, le tempérament et la pression, une poussée ou une pulsation anormale, l'encrassement, une usure normale, un manque d'entretien, des services appliqués de manière inappropriée tels que le voltage, l'air, le gaz l'eau et autres, ou toute autorisées par les conditions de régime; ou
- Tout acte omission de la part de l'Acheteur ses agents, employés ou entrepreneur indépendant, comprenant pour une plus grande précision, mais pas au point de limiter la généralité de ce qui précède, une mauvaise utilisation physique, chimique ou mécanique, un accident, une mauvaise installation du produit, de mauvaises conditions de stockage ou de manipulation du produit, une application inappropriée ou en défaut d'alignement des pièces.

Aucune garantie ne s'applique à la finition de peinture, excepté dans le cas de défauts de fabrication apparents dans les 30 jours à compter de la date d'installation.

Le Société n'assume ni m'autorise aucune personne à assumer en son nom toute autre obligation ou responsabilité en rapport avec le/les produit(s).

L'Acheteur accepte que la Société ne fournisse aucune garantie, expresse, implicite ou légale (y comprise toute garantie de qualité marchande ou de convenance à des fins particulières), écrite ou orale, du produit ou de la main-d'oeuvre indirecte, à l'exception des dispositions exprimées ou contenues dans le présent accord.

RESPONSABILITÉ: Les données techniques contenues dans le catalogue ou sur le site Web sont sujettes à modification sans préavis. La Société se réserve le droit d'apporter des modifications par rapport aux dimensions ou à la conception si nécessaire. L'Acheteur reconnaît que la Société ne sera pas dans l'obligation de modifier ces articles manufacturés avant la formulation des modifications de conception ou des améliorations apportées au produit par la Société

La Société ne sera pas tenue de dédommager ou d'indemniser l'Acheteur, l'utilisateur final ou toute autre partie pour les actions, les réclamations les responsabilités, les préjudices les sinistres, la perte d'usage, la perte d'activité, les dommages, les dommages indirects ou consécutifs, les demandes, les sanctions, les amendes, les dépenses (y compris les dépenses légales), les pertes, les obligations et les conséquences d'une action de quelque nature que ce soit découlant entièrement ou en partie de la négligence ou de l'omission de l'utilisateur ou de la mauvaise utilisation, de la mauvaise application, de l'utilisation dangereuse, de mauvaise installation, du manque d'entretien, du mauvais entretien ou de la mauvaise opération des produits fournis par la Société.



Edmonton

1-780-466-3178

F 780-468-5904

5918 Roper Road

Alberta, Canada T6B 3E1

Oakville

1-800-410-3131

1-905-829-4422

F 905-829-4430

Orillia

1-877-325-3473

1-705-325-3473

F 705-325-2106

Houston

1-855-219-2101

1-281-506-2310

F 281-506-2316

Denver

1-855-244-3128

1-303-979-7339

F 303-979-7350