

Model	WLD1900
Sizes	3/4", 1", 1 1/4", 1 1/2", 2"
Connections	NPT
Body Material	Cast Iron
PMO Max. Operating Pressure	250 PSIG
TMO Max. Operating Temperature	450°F
PMA Max. Allowable Pressure	250 PSIG up to 450°F
TMA Max. Allowable Temperature	450°F @ 250 PSIG



WLD1900
 3/4" & 1"



WLD1900
 2"

Typical Applications

The **WLD1900 Series** is used in applications where immediate and continuous discharge of liquid is required. Typically used in process applications for draining condensate from air or other gases.

How It Works

The WLD1900 Series liquid drainers contain a float-operated valve. When liquid enters the drainer, the float rises opening the valve which allows liquid to be drained.

Features

- All stainless steel internals
- Hardened valve seat for longer service life
- Cast Iron body
- In-line repairable

Sample Specification

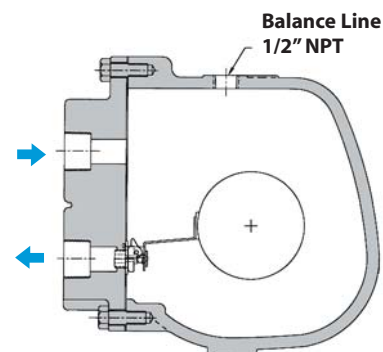
The liquid drain trap shall be float operated with a cast iron body, all stainless steel internals and a hardened valve seat. The unit shall be in-line repairable and equipped with a FNPT threaded connection for the use of a balance line.

Installation

The installation should include isolation valves to facilitate maintenance and an in-line strainer. The trap must be level and upright for the float mechanism to operate. Trap must be adequately sized and properly located in the system. Installation may require an equalizing or balancing line connected from top of drainer body to the above piping, for proper drainage.

Maintenance

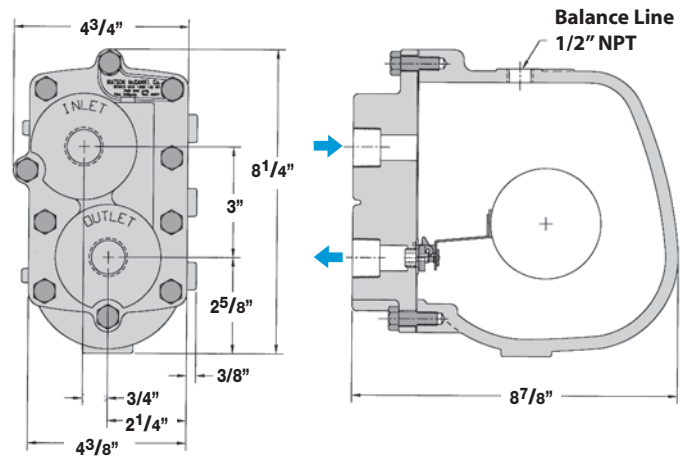
All working components can be replaced with the drain trap remaining in the pipeline. Repair kits include float, valve seat & disc, and gaskets. For full maintenance details see Installation and Maintenance Manual.



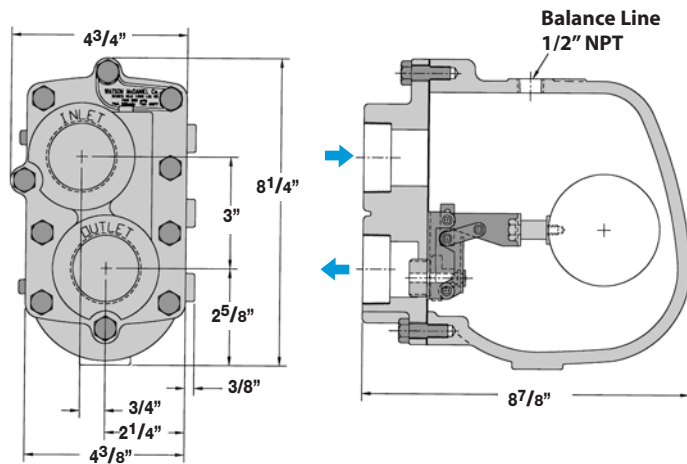
**LIQUID
 DRAINERS**

MATERIALS	
Body	Cast Iron
Cover	Cast Iron
Gasket	Garlock 3400
Cover Screws	Stainless Steel, Gr 5
Float	Stainless Steel, AISI 304
Internals	Stainless Steel, 300 Series
Valve Seat	Stainless Steel, 17-4 PH
Valve Disc	Stainless Steel, AISI 420F

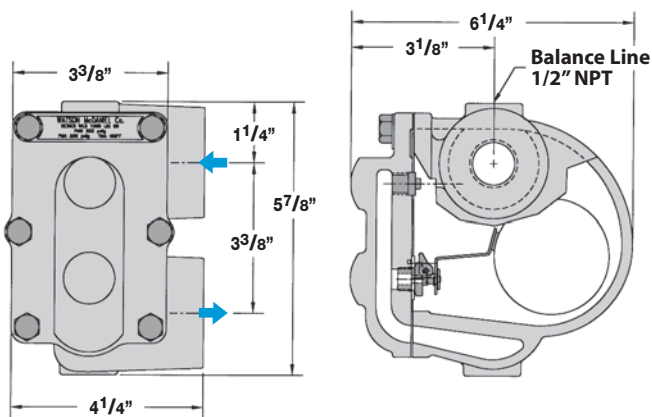
DIMENSIONS – inches/pounds				
Drawing	Model	Size	PMO (PSIG)	Weight (lbs)
A	WLD1913-015	3/4"	15	9
A	WLD1914-015	1"	15	9
A	WLD1915-015	1 1/4"	15	9
C	WLD1916-015	1 1/2"	15	21
D	WLD1917-015	2"	15	53
A	WLD1913-030	3/4"	30	9
A	WLD1914-030	1"	30	9
A	WLD1915-030	1 1/4"	30	9
C	WLD1916-030	1 1/2"	30	21
D	WLD1917-030	2"	30	53
A	WLD1913-090	3/4"	90	9
A	WLD1914-090	1"	90	9
C	WLD1915-090	1 1/4"	90	21
C	WLD1916-090	1 1/2"	90	21
D	WLD1917-090	2"	90	53
A	WLD1913-150	3/4"	150	9
A	WLD1914-150	1"	150	9
C	WLD1915-150	1 1/4"	150	21
C	WLD1916-150	1 1/2"	150	21
D	WLD1917-150	2"	150	53
B	WLD1913-200	3/4"	200	20
B	WLD1914-200	1"	200	20
C	WLD1915-200	1 1/4"	200	21
C	WLD1916-200	1 1/2"	200	21
D	WLD1917-200	2"	200	53
B	WLD1913-250	3/4"	250	20
B	WLD1914-250	1"	250	20
C	WLD1915-250	1 1/4"	250	21
C	WLD1916-250	1 1/2"	250	21
D	WLD1917-250	2"	250	53



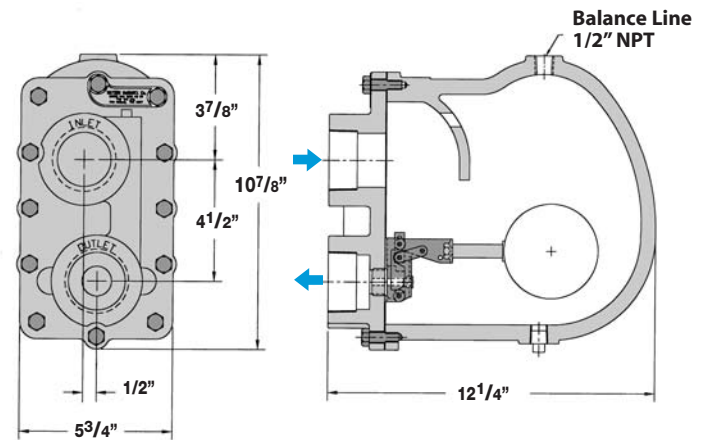
Drawing - B



Drawing - C



Drawing - A



Drawing - D

LIQUID
 DRAINERS

How to Size / Order

Determine the capacity (lbs/hr) required at the specified differential pressure. Locate differential pressure on capacity chart; move down column to capacity required. Make sure to select the correct model based on the maximum inlet pressure.

Example:
 Required to drain 3,000 lbs/hr at a differential pressure of 5 PSI. The maximum inlet pressure is 30 PSIG.

Select Model: **WLD1916-030**, 1 1/2", capacity up to 4,710 lbs/hr based on 5 PSI differential pressure.

Capacity in lbs/hr is based on differential pressure across the drainer. Select a model with an equal or higher PMO (max. operating pressure) than the maximum inlet pressure to the drainer. If the pressure to the drainer exceeds the PMO, the drainer may not open. If discharging to atmosphere, the differential pressure is equal to the inlet pressure.

CAPACITIES - Cold Water (lbs/hr)

Model	Size	PMO (PSIG)	Orifice Size	Differential Pressure (PSI)																
				1	2	5	10	15	20	30	40	60	90	100	125	150	175	200	225	250
WLD1913-015	3/4"	15	.250"	910	1260	1940	2690	3260												
WLD1914-015	1"	15	.250"	910	1260	1940	2690	3260												
WLD1915-015	1 1/4"	15	.312"	1130	1570	2420	3360	4070												
WLD1916-015	1 1/2"	15	.500"	2400	3330	5140	7140	8650												
WLD1917-015	2"	15	.625"	3000	4170	6430	8920	10810												
WLD1913-030	3/4"	30	.228"	830	1150	1770	2450	2970	3410	4130										
WLD1914-030	1"	30	.228"	830	1150	1770	2450	2970	3410	4130										
WLD1915-030	1 1/4"	30	.228"	830	1150	1770	2450	2970	3410	4130										
WLD1916-030	1 1/2"	30	.390"	2200	3060	4710	6540	7930	9080	11000										
WLD1917-030	2"	30	.500"	2400	3330	5140	7140	8650	9910	12000										
WLD1913-090	3/4"	90	.166"	260	360	550	770	930	1060	1290	1480	1790	2170							
WLD1914-090	1"	90	.166"	260	360	550	770	930	1060	1290	1480	1790	2170							
WLD1915-090	1 1/4"	90	.312"	1130	1570	2420	3360	4070	4660	5650	6470	7830	9500							
WLD1916-090	1 1/2"	90	.312"	1130	1570	2420	3360	4070	4660	5650	6470	7830	9500							
WLD1917-090	2"	90	.422"	1350	1870	2890	4010	4860	5570	6740	7730	9360	11350							
WLD1913-150	3/4"	150	.128"	150	210	330	450	550	630	760	870	1050	1280	1340	1490	1590				
WLD1914-150	1"	150	.128"	150	210	330	450	550	630	760	870	1050	1280	1340	1490	1590				
WLD1915-150	1 1/4"	150	.250"	910	1260	1940	2690	3260	3740	4530	5190	6280	7620	8000	8890	9800				
WLD1916-150	1 1/2"	150	.250"	910	1260	1940	2690	3260	3740	4530	5190	6280	7620	8000	8890	9800				
WLD1917-150	2"	150	.332"	1200	1670	2580	3580	4330	4960	6010	6890	8340	10100	10620	11810	12500				
WLD1913-200	3/4"	200	.166"	260	360	550	770	930	1060	1290	1480	1790	2170	2280	2530	2760	2970	3150		
WLD1914-200	1"	200	.166"	260	360	550	770	930	1060	1290	1480	1790	2170	2280	2530	2760	2970	3150		
WLD1915-200	1 1/4"	200	.250"	910	1260	1940	2690	3260	3740	4530	5190	6280	7620	8000	8890	9690	10420	11100		
WLD1916-200	1 1/2"	200	.250"	910	1260	1940	2690	3260	3740	4530	5190	6280	7620	8000	8890	9690	10420	11100		
WLD1917-200	2"	200	.281"	1960	2720	4200	5830	7060	8090	9800	11230	13600	16500	17320	19250	20980	22570	23800		
WLD1913-250	3/4"	250	.128"	150	210	330	450	550	630	760	870	1050	1280	1340	1490	1630	1750	1860	1970	2070
WLD1914-250	1"	250	.128"	150	210	330	450	550	630	760	870	1050	1280	1340	1490	1630	1750	1860	1970	2070
WLD1915-250	1 1/4"	250	.203"	600	830	1280	1770	2150	2460	2980	3420	4140	5020	5270	5860	6390	6870	7320	7740	8140
WLD1916-250	1 1/2"	250	.203"	600	830	1280	1770	2150	2460	2980	3420	4140	5020	5270	5860	6390	6870	7320	7740	8140
WLD1917-250	2"	250	.250"	910	1260	1940	2690	3260	3740	4530	5190	6280	7620	8000	8890	9690	10420	11100	11740	12340