

Building connections that last™



# Series 30276

## Gate Valve Datasheet



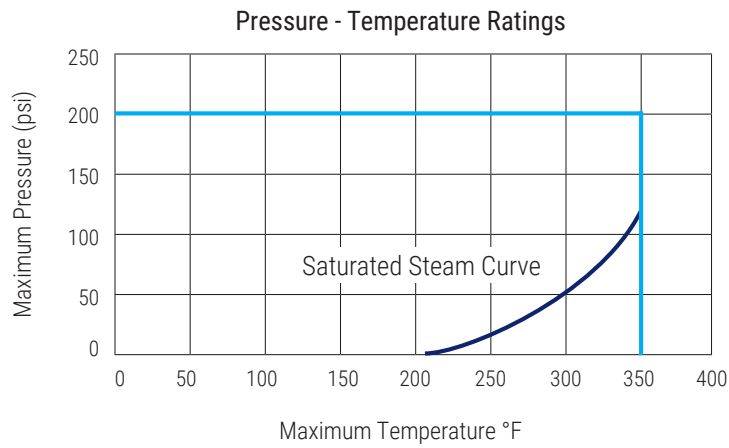
# Gate Valve Series 30276



### Design Features

- 200 CWP
- 316 stainless steel
- Threaded in bonnet
- Threaded or socket weld ends
- Solid wedge disc
- Non-rising stem
- Hydrostatic shell test at 300 psi

### Technical Information



asc-es.com

Building connections that last™



# Gate Valve Series 30276

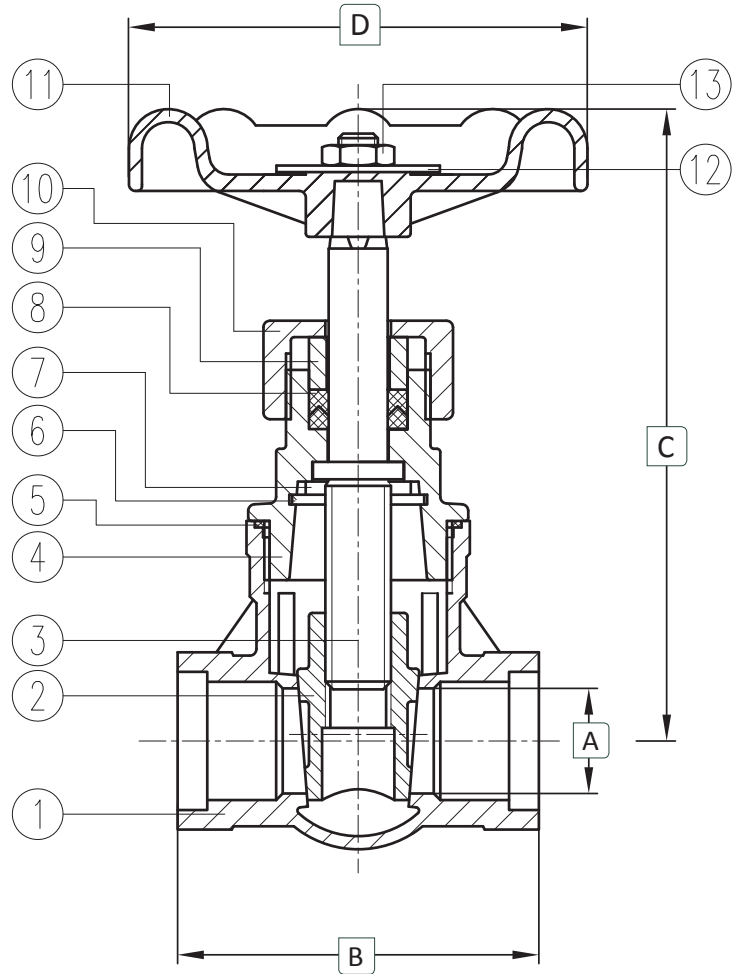
## Parts & Materials

No.	Part Name	Qty.	Material
1	Body	1	316 Stainless Steel
2	Disc	1	316 Stainless Steel
3	Stem	1	316 Stainless Steel
4	Cap	1	316 Stainless Steel
5	Seal	1	PTFE
6	Washer	1	316 Stainless Steel
7	Thick Washer	1	316 Stainless Steel
8	Packing	1	PTFE
9	Bush	1	304 Stainless Steel
10	Gland Nut	1	304 Stainless Steel
11	Handle Wheel	1	Aluminum
12	Name Plate	1	Aluminum
13	Nut	1	304 Stainless Steel

## Dimensions (Inches)

Size	A	B	C	D
½	0.59	2.16	4.76	2.76
¾	0.79	2.36	5.04	2.76
1	0.98	2.68	5.43	3.15
1-¼	1.26	2.99	6.10	3.15
1-½	1.56	3.15	7.36	3.94
2	1.97	3.66	8.50	3.94
2-½	2.56	4.60	10.35	4.53
3	3.15	5.12	11.61	4.53

**Note:**  
Due to continuous development of our product range, we reserve the right to change the dimensions and information for this product as required.



Gate Valve  
Series 30276



How to Order Series 30276

1 - 30276 - TE = 1 - 30276 - TE  
 Size Series Ends Series Ends

Size	Series	Ends
1/4	30276	TE Threaded
3/8		SW Socket Weld
1/2		
3/4		
1		
1-1/4		
1-1/2		
2		
2-1/2		
3		

### **About ASC Engineered Solutions**

ASC Engineered Solutions is defined by quality—in its products, services and support. With more than 1,400 employees, the company's portfolio of precision-engineered piping support, valves and connections provides products to more than 4,000 customers across industries, such as mechanical, industrial, fire protection, oil and gas, and commercial and residential construction. Its portfolio of leading brands includes ABZ Valve®, AFCON®, Anvil®, Anvil EPS, Anvil Services, Basic-PSA, Beck®, Catawissa, Cooplet®, FlexHead®, FPPI®, Gruklok®, J.B. Smith, Merit®, North Alabama Pipe, Quadrant®, SCI®, Sharpe®, SlideLOK®, SPF® and SprinkFLEX®. With headquarters in Commerce, CA, and Exeter, NH, ASC also has ISO 9001:2015 certified production facilities in PA, TN, IL, TX, AL, LA, KS, and RI.



[asc-es.com](http://asc-es.com)

Building connections that last™

FC-DS-SERIES-30276-v01 20210816

