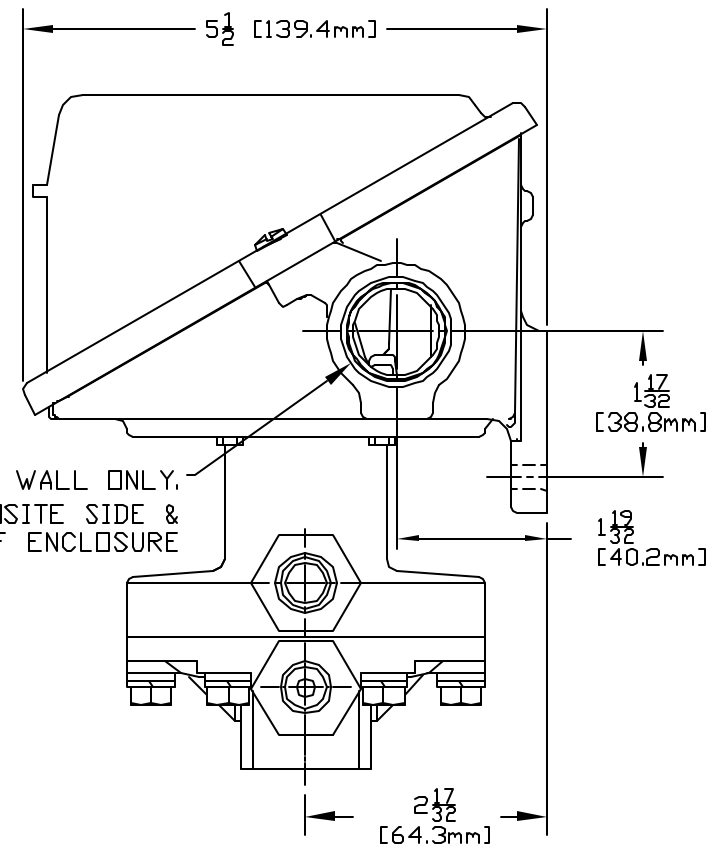
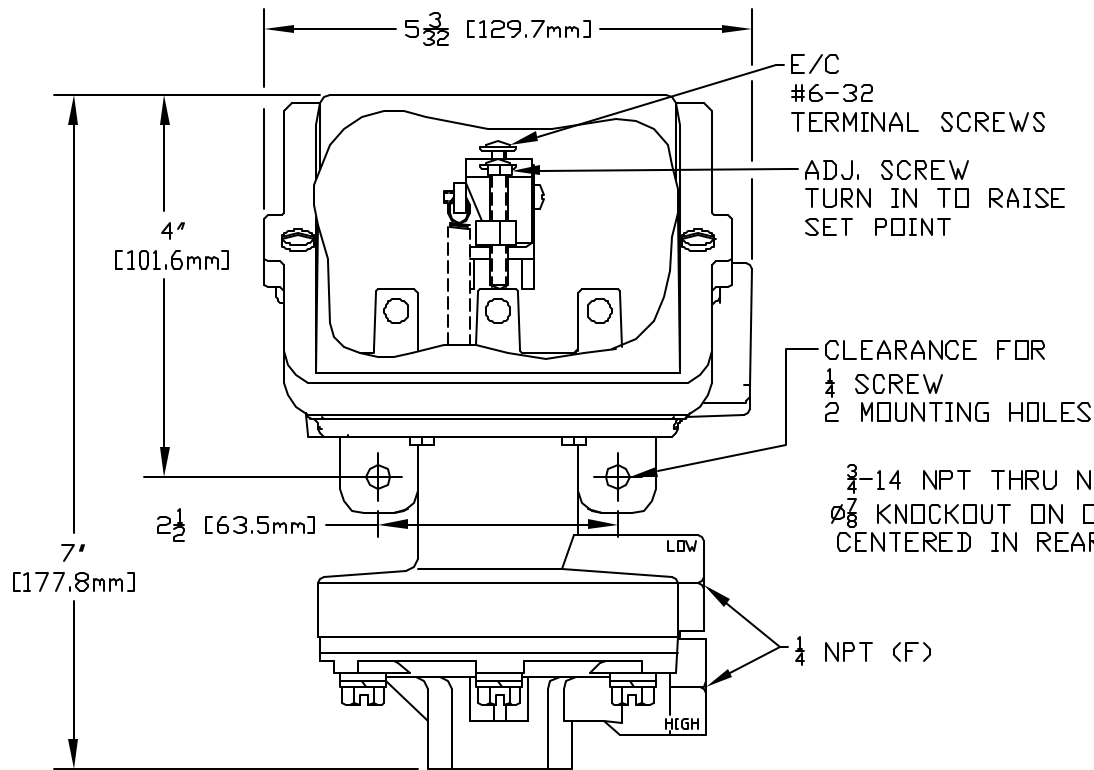


UL LISTED, CSA CERTIFIED, NEMA 4.
I & M SHEET IMP400.

A-12305



559	10 to 100	0.7 to 6.9
457	3 to 30	0.2 to 2.1
456	2 to 20	137.9 to 1379.0 mbar
455	5 to 80' wcd	12.4 to 199.1 mbar
MODEL NO.	psid	bar
	ADJUSTABLE RANGE	
	LOW END OF RANGE ON FALL	
	HIGH END OF RANGE ON RISE	

ORIGINAL DATE	5-14-87
DRWN	A. EBALD
CHKD	P. WEILER
APPD	A. MINASSIAN
UNLESS OTHERWISE SPECIFIED DIMENSIONS ARE IN INCHES	

TITLE
J400K-
455 TO 457
& 559



DF001D

UNITED ELECTRIC
CONTROLS COMPANY
WATERTOWN * MASSACHUSETTS

P	REDRAWN, UPDATED ENCLOSURE. ECN#E0821	6-28-04	S.R.	HN
SYM	DESCRIPTION	DATE	DWN	APPD
REVISIONS				

DO NOT SCALE THIS DRAWING

SCALE 1:2

DWG NO
A-12305