



Air preparation units

- Modular configuration
- Compact design
- Simple mounting
- Relieving

The service equipment for compressed air is configured as required for each of the following individual devices:

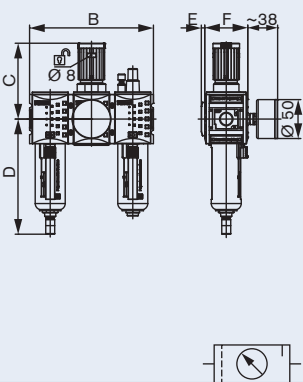
- Filter drain
- Diaphragm pressure regulator
- Micro lubricator
- Pressure gauge
- Shut off valve
- Soft Start valve
- Stop valve
- Fine filter
- Activated carbon filter

Technical Data	
Body material	PlasticGrivory GV-6H with 60 % glass fibre
Process connection Size 0-1/8", 1, 2, 4 Size 0-1/4"	Zinc die-cast PlasticGrivory GV-6H with 60 % glass fibre
Medium	Compressed air, neutral gases
Media temperature	0 to +50 °C at 10 barg
Ambient temperature	0 to +50 °C
Max. supply pressure Size 0 Size 1, 2, 4	12 barg 16 barg
Control range	0,5–10 bar
Size 0	Connection 1/8" and 1/4"
Size 1	Connection 1/4" and 3/8"
Size 2	Connection 3/8" and 1/2"
Size 4	Connection 3/4" and 1"
ATEX Zone 2, Category 3G, EX-Group IIA, IIB and IIC Zone 22, Category 3D Zone 1, Category 2G, EX-Group IIA, IIB and IIC Zone 21, Category 2D Temperature class T4	All equipment with size 1 and 2 except electrically operated valves
Standard filter sizes Filter regulator 2 piece service unit 3 piece service unit Filter Fine filter Activated carbon filter	5 µm 5 µm 5 µm 5 µm 0,01 µm, remaining oil content < 0,01 mg/m ³ Remaining oil content < 0,005 mg/m ³

Other versions on request.

Ordering chart, 3-piece service unit, fully assembled

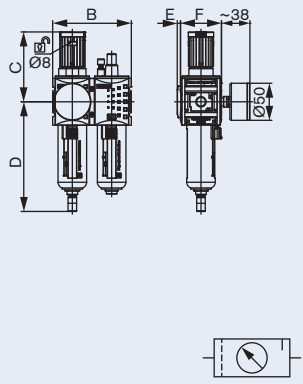
Semi-automatic filter drain, diaphragm pressure regulator and micro lubricator, without pressure gauge and mounting parts.



Built size	Port size	B [mm]	C [mm]	D [mm]	E [mm]	F [mm]	Qmax. at P=6,3 bar and Δp=1bar, l/min.	Item no.	
								G-threaded connection	NPT-threaded connection
0	1/8"	129.0	63.0	105.0	6.0	48.0	500	771 903	n/a
0	1/4"	129.0	63.0	105.0	6.0	48.0	500	771 904	n/a
1	1/4"	156.0	95.5	129.5	4.0	54.0	1700	771 905	772 761
1	3/8"	156.0	95.5	129.5	4.0	54.0	1700	771 906	772 762
2	3/8"	189.0	110.0	147.0	6.0	67.0	3500	771 907	772 763
2	1/2"	189.0	110.0	147.0	6.0	67.0	3500	771 908	772 764
4	3/4"	255.0	137.0	192.0	5.0	93.0	12000	771 909	772 765
4	1"	255.0	137.0	192.0	5.0	93.0	12000	771 910	772 766

Ordering chart, 2-piece service unit, fully assembled

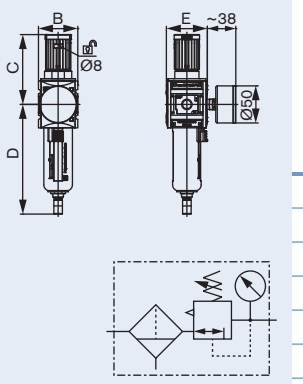
Semi-automatic filter regulator and micro lubricator, without pressure gauge and mounting parts



Built size	Port size	B [mm]	C [mm]	D [mm]	E [mm]	F [mm]	Qmax. at P=6,3 bar and Δp=1bar, l/min.	Item no.	
								G-threaded connection	NPT-threaded connection
0	G 1/8"	86.0	63.0	105.0	6.0	48.0	500	771 911	n/a
0	G 1/4"	86.0	63.0	105.0	6.0	48.0	500	771 912	n/a
1	G 1/4"	104.0	95.5	129.5	4.0	54.0	1700	771 913	772 753
1	G 3/8"	104.0	95.5	129.5	4.0	54.0	1700	771 914	772 802
2	G 3/8"	126.0	110.0	147.0	6.0	67.0	3500	771 915	772 757
2	G 1/2"	126.0	110.0	147.0	6.0	67.0	3500	771 916	772 758
4	G 3/4"	170.0	137.0	192.0	5.0	93.0	12000	771 917	772 759
4	G 1"	170.0	137.0	192.0	5.0	93.0	12000	771 918	772 760

Ordering chart, Filter regulator

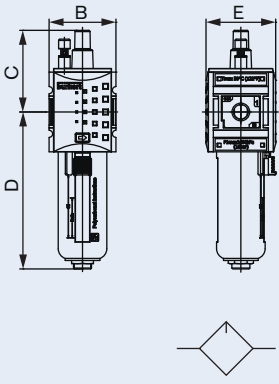
Without pressure gauge and mounting parts



Built size	Port size	B [mm]	C [mm]	D [mm]	E [mm]	Qmax. at P=6,3 bar and Δp=1bar, l/min.	Item no.			
							G-threaded connection with half auto. condensate drain	G-threaded connection with auto. condensate drain	NPT-threaded connection with half auto. condensate drain	NPT-threaded connection with auto. condensate drain
0	G 1/8"	43.0	63.0	105.0	48.0	1000	771 919	772 193	n/a	n/a
0	G 1/4"	43.0	63.0	105.0	48.0	1000	771 920	772 194	n/a	n/a
1	G 1/4"	52.0	95.5	129.5	54.0	2200	771 921	772 195	772 723	772 729
1	G 3/8"	52.0	95.5	129.5	54.0	2600	771 922	772 196	772 724	772 730
2	G 3/8"	63.0	110.0	147.0	67.0	4300	771 923	772 197	772 725	772 731
2	G 1/2"	63.0	110.0	147.0	67.0	5200	771 924	772 110	772 726	772 732
4	G 3/4"	85.0	137.0	192.0	93.0	14000	771 925	772 198	772 727	772 733
4	G 1"	85.0	137.0	192.0	93.0	14000	771 926	772 199	772 728	772 734

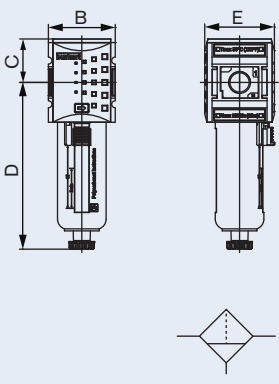
Ordering chart, Micro lubricator

Oil type CL 32, acc. to DIN 51517 - ISO VG 32



Built size	Port size	B [mm]	C [mm]	D [mm]	E [mm]	Qmax. at P=6,3 bar and Δp=1bar, l/min.	Tank capacity lubricator cm ³	Item no.	
								G-threaded connection	NPT-threaded connection
0	G 1/8"	43.0	58.0	98.0	48.0	1400	35	771 927	n/a
0	G 1/4"	43.0	58.0	98.0	48.0	1400	35	771 928	n/a
1	G 1/4"	52.0	62.5	123.0	54.0	2800	40	771 929	772 747
1	G 3/8"	52.0	62.5	123.0	54.0	2800	40	771 930	772 748
2	G 3/8"	63.0	69.7	137.5	67.0	8000	80	771 931	772 749
2	G 1/2"	63.0	69.7	137.5	67.0	8000	80	771 932	772 750
4	G 3/4"	85.0	87.9	182.8	93.0	13000	181	771 933	772 751
4	G 1"	85.0	87.9	182.8	93.0	13000	181	771 934	772 752

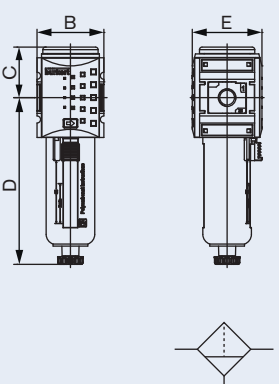
Ordering chart, Filter 5 µm



Built size	Port size	B [mm]	C [mm]	D [mm]	E [mm]	Qmax. at P=6,3 bar and Δp=1bar, l/min.	Item no.			
							G-threaded connection with half auto. condensate drain	G-threaded connection with auto. condensate drain	NPT-threaded connection with half auto. condensate drain	NPT-threaded connection with auto. condensate drain
0	G 1/8"	43.0	27.0	105.0	48.0	950	771 935	772 200	n/a	n/a
0	G 1/4"	43.0	27.0	105.0	48.0	950	771 936	772 201	n/a	n/a
1	G 1/4"	52.0	34.0	130.0	54.0	2200	771 937	772 202	772 735	772 767
1	G 3/8"	52.0	34.0	130.0	54.0	2400	771 938	772 203	772 736	772 768
2	G 3/8"	63.0	42.5	147.0	67.0	3500	771 939	772 204	772 737	772 769
2	G 1/2"	63.0	42.5	147.0	67.0	3500	771 940	772 205	772 738	772 770
4	G 3/4"	85.0	58.0	192.0	93.0	8000	771 941	772 206	772 739	772 771
4	G 1"	85.0	58.0	192.0	93.0	8200	771 942	772 207	772 740	772 772

Ordering chart, Fine filter 0,01 µm

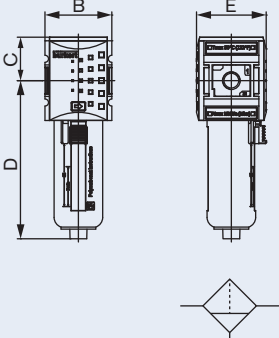
With semi-automatic condensate drain



Built size	Port size	B [mm]	C [mm]	D [mm]	E [mm]	Qmax. at P=6,3 bar and Δp=1bar, l/min.	Item no.	
							G-threaded connection	NPT-threaded connection
0	G 1/8"	43.0	27.0	105.0	48.0	350	771 943	n/a
0	G 1/4"	43.0	27.0	105.0	48.0	350	771 944	n/a
1	G 1/4"	52.0	38.0	130.5	54.0	350	771 945	772 785
1	G 3/8"	52.0	38.0	130.5	54.0	350	771 946	772 786
2	G 3/8"	63.0	48.0	147.0	67.0	500	771 947	772 787
2	G 1/2"	63.0	48.0	147.0	67.0	500	771 948	772 788
4	G 3/4"	85.0	63.0	192.0	93.0	1500	771 949	772 789
4	G 1"	85.0	63.0	192.0	93.0	1500	771 950	772 790

Ordering chart, Activated carbon filter

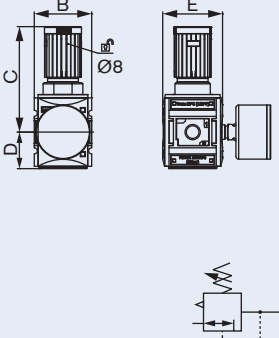
Remaining oil content <0,005 mg/m³



Built size	Port size	B [mm]	C [mm]	D [mm]	E [mm]	Qmax. at P=6,3 bar and Δp=1bar, l/min.	Item no.	
							G-threaded connection	NPT-threaded connection
0	G 1/8"	43.0	27.0	98.0	48.0	600	771 951	n/a
0	G 1/4"	43.0	27.0	98.0	48.0	600	771 952	n/a
1	G 1/4"	52.0	34.0	124.0	54.0	650	771 953	772 791
1	G 3/8"	52.0	34.0	124.0	54.0	650	771 954	772 792
2	G 3/8"	63.0	43.0	141.0	67.0	1300	771 955	772 793
2	G 1/2"	63.0	43.0	141.0	67.0	1300	771 956	772 794
4	G 3/4"	85.0	58.0	184.0	93.0	2000	771 957	772 795
4	G 1"	85.0	58.0	184.0	93.0	2000	771 958	772 796

Ordering chart, Diaphragm pressure regulator

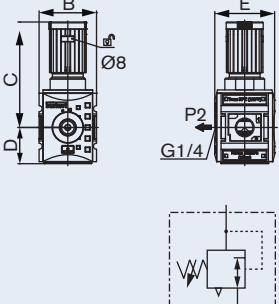
Without pressure gauge and mounting parts



Built size	Port size	B [mm]	C [mm]	D [mm]	E [mm]	Qmax. at P=6,3 bar and Δp=1bar, l/min.	Item no.	
							G-threaded connection	NPT-threaded connection
Size 0,1,2 without air consumption								
0	G 1/8"	43.0	63.0	25.0	48.0	1000	771 959	n/a
0	G 1/4"	43.0	63.0	25.0	48.0	1000	771 960	n/a
1	G 1/4"	52.0	95.5	33.0	54.0	2200	771 961	772 705
1	G 3/8"	52.0	95.5	33.0	54.0	2600	771 962	772 706
2	G 3/8"	63.0	110.0	39.5	67.0	4300	771 963	772 707
2	G 1/2"	63.0	110.0	39.5	67.0	5100	771 964	772 708
Size 4 with air consumption mx. 1.5 l/min								
4	G 3/4"	85.0	137.0	54.0	93.0	14000	771 965	772 709
4	G 1"	85.0	137.0	54.0	93.0	14000	771 966	772 710

Ordering chart, Diaphragm pressure regulator with continuous pressure supply

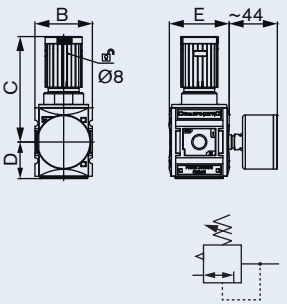
Without pressure gauge and mounting parts



Built size	Port size	B [mm]	C [mm]	D [mm]	E [mm]	Qmax. at P=6,3 bar and Δp=1bar, l/min.	Item no.	
							G-threaded connection	NPT-threaded connection
0	G 1/4"	43.0	68.0	25.0	48.0	1000	771 967	n/a
1	G 1/4"	52.0	95.5	32.5	54.0	2200	771 968	772 711
1	G 3/8"	52.0	95.5	32.5	54.0	2600	771 969	772 712
2	G 3/8"	63.0	110.0	39.5	67.0	4300	771 970	772 713
2	G 1/2"	63.0	110.0	39.5	67.0	5000	771 971	772 714

Ordering chart, Diaphragm precision pressure regulator

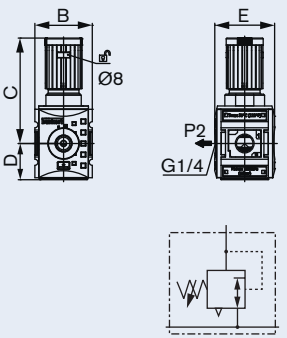
Without pressure gauge and mounting parts, with air consumption 2,6 l/min at P2 = 6 bar



Built size	Port size	B [mm]	C [mm]	D [mm]	E [mm]	Qmax. at P=6,3 bar and Δp=1bar, l/min.	Item no.	
							G-threaded connection	NPT-threaded connection
1	G 1/4"	52.0	95.5	33.0	54.0	2200	771 972	772 715
1	G 3/8"	52.0	95.5	33.0	54.0	2700	771 973	772 716
2	G 3/8"	63.0	110.0	39.5	67.0	4300	771 974	772 717
2	G 1/2"	63.0	110.0	39.5	67.0	5000	771 975	772 718

Ordering chart, Diaphragm precision pressure regulator with continuous pressure supply

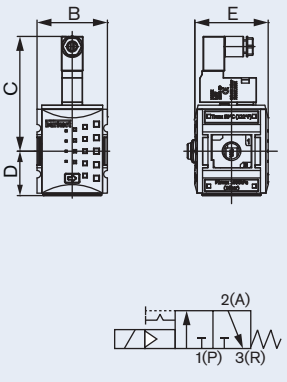
Without pressure gauge and mounting parts, with air consumption 2,6 l/min at P2 = 6 bar



Built size	Port size	B [mm]	C [mm]	D [mm]	E [mm]	Qmax. at P=6,3 bar and Δp=1bar, l/min.	Item no.	
							G-threaded connection	NPT-threaded connection
1	G 1/4"	52.0	95.5	32.5	54.0	2200	771 976	772 719
1	G 3/8"	52.0	95.5	32.5	54.0	2700	771 977	772 720
2	G 3/8"	63.0	110.0	39.5	67.0	4300	771 978	772 721
2	G 1/2"	63.0	110.0	39.5	67.0	5000	771 979	772 722

Ordering chart, 3/2-way control valve

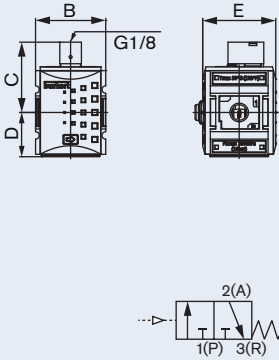
Electric operated (not ATEX)



Built size	Port size	B [mm]	C [mm]	D [mm]	E [mm]	Qmax. at P=6,3 bar and Δp=1bar, l/min.	Item no. 24 VDC	Item no. 230 VAC
0	G 1/4"	43.0	93.0	36.6	48.0	2000	771 981	771 989
1	G 1/4"	52.0	84.5	32.8	54.0	2000	771 982	771 990
1	G 3/8"	52.0	84.5	32.8	54.0	2000	771 983	771 991
2	G 3/8"	63.0	93.5	56.5	67.0	4300	771 984	771 992
2	G 1/2"	63.0	93.5	56.5	67.0	4300	771 985	771 993
4	G 3/4"	85.0	110.9	102.3	93.0	12500	771 986	771 994
4	G 1"	85.0	110.9	102.3	93.0	12500	771 987	771 995

Ordering chart, 3/2-way control valve

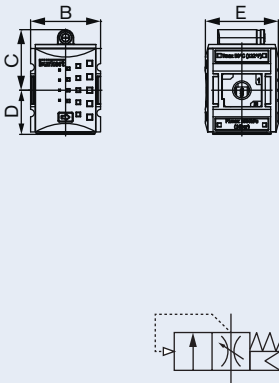
Pneumatic operated



Built size	Port size	B [mm]	C [mm]	D [mm]	E [mm]	Qmax. at P=6,3 bar and Δp=1bar, l/min.	Item no.
0	G 1/8"	43.0	60.1	36.6	48.0	2000	772 000
0	G 1/4"	43.0	60.1	36.6	48.0	2000	772 001
1	G 1/4"	52.0	52.0	33.0	54.0	2000	772 002
1	G 3/8"	52.0	52.0	33.0	54.0	2000	772 003
2	G 3/8"	63.0	60.8	56.5	67.0	4300	772 004
2	G 1/2"	63.0	60.8	56.5	67.0	4300	772 005
4	G 3/4"	85.0	78.2	67.0	93.0	12500	772 006
4	G 1"	85.0	78.2	67.0	93.0	12500	772 007

Ordering chart, Soft start valve

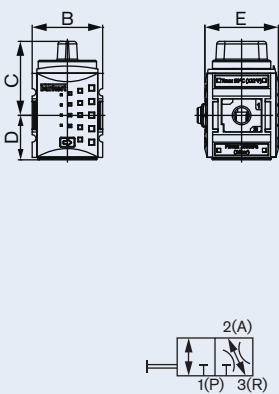
Filling time adjustable



Built size	Port size	B [mm]	C [mm]	D [mm]	E [mm]	Qmax. at P=6,3 bar and Δp=1bar, l/min.	Item no.	
							G-threaded connection	NPT-threaded connection
0	G 1/8"	48.0	53.0	28.0	48.0	1800	772 008	n/a
0	G 1/4"	48.0	53.0	28.0	48.0	1800	772 009	n/a
1	G 1/4"	52.0	45.0	33.0	54.0	1900	772 010	772 773
1	G 3/8"	52.0	45.0	33.0	54.0	1900	772 011	772 774
2	G 3/8"	63.0	53.5	58.0	67.0	4400	772 012	772 775
2	G 1/2"	63.0	53.5	58.0	67.0	4400	772 103	772 776
4	G 3/4"	85.0	58.2	54.0	93.0	10000	772 014	772 777
4	G 1"	85.0	58.2	54.0	93.0	10000	772 015	772 778

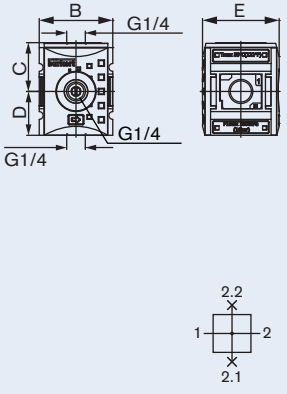
Ordering chart, Shut-off ball valve

Lockable with padlock



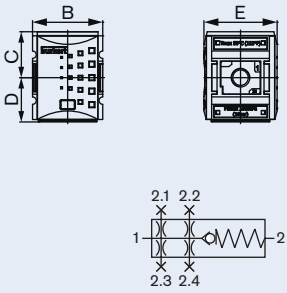
Built size	Port size	B [mm]	C [mm]	D [mm]	E [mm]	Qmax. at P=6,3 bar and Δp=1bar, l/min.	Item no.	
							G-threaded connection	NPT-threaded connection
0	G 1/8"	43.0	51.0	25.0	48.0	1800	772 016	n/a
0	G 1/4"	43.0	51.0	25.0	48.0	1800	772 017	n/a
1	G 1/4"	52.0	54.3	33.0	54.0	1900	772 018	772 568
1	G 3/8"	52.0	54.3	33.0	54.0	1900	772 019	772 742
2	G 3/8"	63.0	70.5	56.5	67.0	5000	772 020	772 743
2	G 1/2"	63.0	70.5	56.5	67.0	5000	772 021	772 569
4	G 3/4"	85.0	93.7	51.0	93.0	14000	772 022	772 745
4	G 1"	85.0	93.7	51.0	93.0	14000	772 023	772 746

Ordering chart, Distributor



Built size	Port size	B [mm]	C [mm]	D [mm]	E [mm]	Qmax. at P=6,3 bar and Δp=1bar, l/min.	Item no.	
							G-threaded connection	NPT-threaded connection
0	G 1/8"	43.0	28.5	25.0	48.0	2700	772 024	n/a
0	G 1/4"	43.0	28.5	25.0	48.0	2700	772 025	n/a
1	G 1/4"	52.0	34.5	31.0	54.0	2700	772 026	772 779
1	G 3/8"	52.0	54.3	31.0	54.0	3600	772 027	772 780
2	G 3/8"	63.0	70.5	37.5	67.0	7250	772 028	772 781
2	G 1/2"	63.0	70.5	37.5	67.0	7250	772 029	772 782
4	G 3/4"	85.0	93.7	51.0	93.0	18000	772 030	772 783
4	G 1"	85.0	93.7	51.0	93.0	18000	772 031	772 784

Ordering chart, non return valve



Built size	Port size	B [mm]	C [mm]	D [mm]	E [mm]	Qmax. at P=6,3 bar and Δp=1bar, l/min.	Item no.
0	G 1/8"	43.0	27.0	39.0	48.0	800	772 032
0	G 1/4"	43.0	27.0	39.0	48.0	800	772 033
1	G 1/4"	52.0	34.0	33.0	54.0	1250	772 034
1	G 3/8"	52.0	34.0	33.0	54.0	1250	772 035
2	G 3/8"	63.0	43.0	37.5	67.0	4500	772 036
2	G 1/2"	63.0	43.0	37.5	67.0	4500	772 037

Ordering chart, Bowl (Polycarbonate)

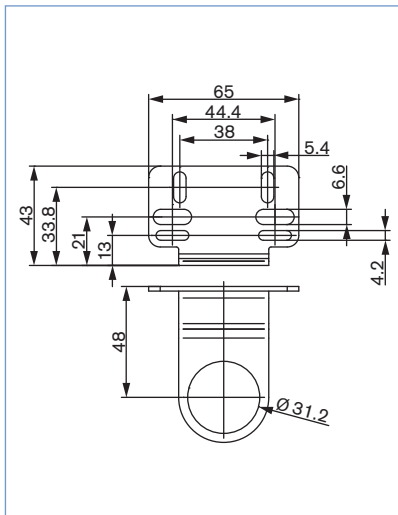
Built size	Port size	Item no. Oil bowl	Item no. with automatic drain	Item no. with semi-automatic drain
0	G 1/8"	772 046	771 778	772 042
0	G 1/4"	772 046	771 778	772 042
1	G 1/4"	772 047	771 779	772 043
1	G 3/8"	772 047	771 779	772 043
2	G 3/8"	772 048	772 040	772 044
2	G 1/2"	772 048	772 040	772 044
4	G 3/4"	772 049	772 041	772 045
4	G 1"	772 049	772 041	772 045

Ordering chart, Metal bowl

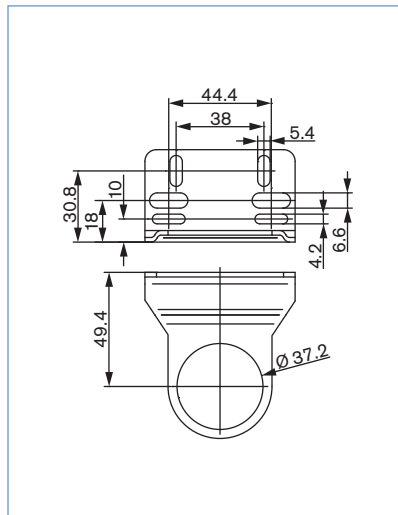
Built size	Port size	Item no. Oil bowl	Item no. with automatic drain	Item no. with semi-automatic drain
0	G 1/8"	772 058	772 050	772 054
0	G 1/4"	772 058	772 050	772 054
1	G 1/4"	772 059	772 051	772 055
1	G 3/8"	772 059	772 051	772 055
2	G 3/8"	772 060	772 052	772 056
2	G 1/2"	772 060	772 052	772 056
4	G 3/4"	772 061	772 053	772 057
4	G 1"	772 061	772 053	772 057

Mounting bracket for control panel mounting, steel galvanized

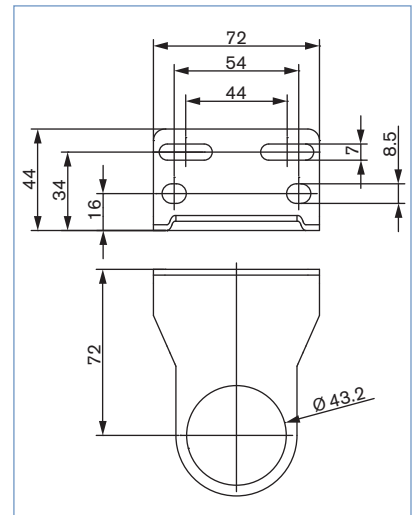
Size 0
Item no. 772 062



Size 1
Item no. 772 063



Size 2
Item no. 772 064

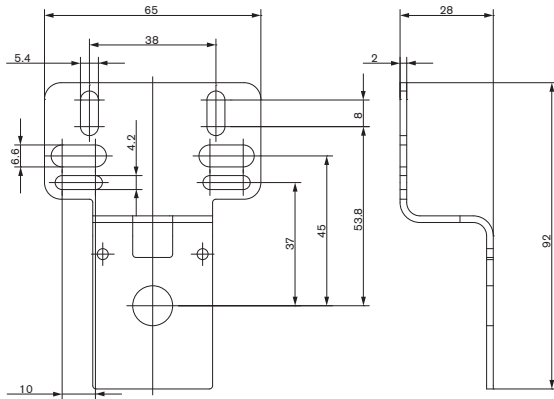


Ordering chart, Control panel nut

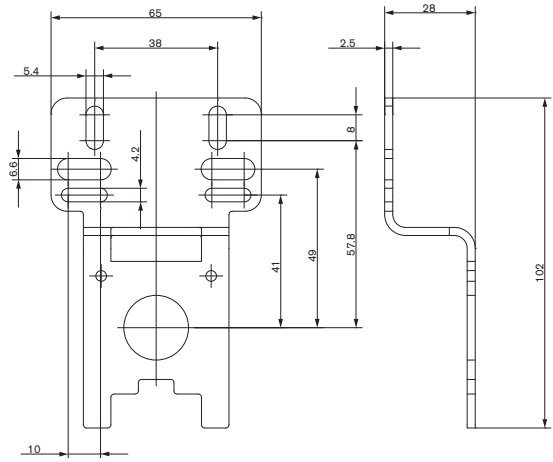
Built size	Thread	Materials	Item no.
0	M30x1,5	POM	772 065
1	M36x1,5	POM+GF	772 066
2	M42x1,5	POM+GF	772 067

Mounting bracket for wall-mounting with 2x screw 3x10 with Torx 10IP, steel galvanized

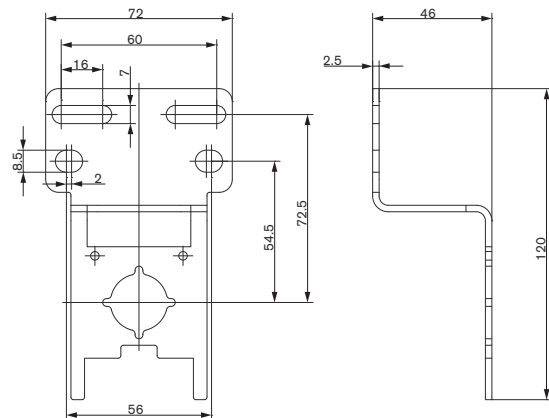
Size 0



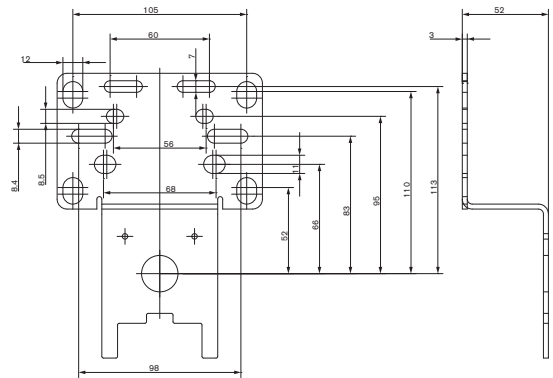
Size 1



Size 2




Size 4



Built size	Item no.
0	772 068
1	772 069
2	772 070
4	772 071


Ordering chart, coupling kit

For connecting of components

	Built size	Item no.
	0	772 072
	1	772 073
	2	772 074
	4	772 075

Ordering chart, coupling kit for wall mounting

For connecting of components, including mounting option for wall mounting


	Built size	Item no.
	0	772 076
	1	772 077
	2	772 078
	4	772 079

Ordering chart, replacement filters

Built size	Item no. Filter 5 µm	Item no. Filter 0,01 µm	Item no. Activated carbon filter
0	772 080	772 085	772 089
1	772 080	772 084	772 088
2	772 082	772 086	772 090
4	772 083	772 087	772 091

Ordering chart Accessories

Bourdon tube pressure gauge, 0–12 bar, 160 psi, TAU001

	Version	Built size	Item no.
	Ø 40 mm, G 1/8"	0	772 137
	Ø 50 mm, G 1/4"	1.2	772 138
	Ø 50 mm, 1/4" NPT	1.2	772 805
	Ø 63 mm, G 1/4"	4	772 139

To find your nearest Burkert facility, click on the orange box



www.burkert.com

In case of special application conditions, please consult for advice.

Subject to alterations
© Christian Bürkert GmbH & Co. KG

1511/5_EU-en_00895231