



SERIES 626 & 628 | INDUSTRIAL PRESSURE TRANSMITTER/TRANSDUCER



626/628 pressure transmitters with general purpose housing (-GH)



626/628 pressure transmitters with conduit box housing (-CB) and LCD display

FEATURES/BENEFITS

Standard:

- NEMA 4X rated enclosure
- Robust 316L SS oil filled sensor
- CE approved design
- 626: 0.25% FS
- 628: 1.0% FS

Optional:

- Advanced environmental protection
- C-276 wetted materials
- Digital or analog outputs (I2C)
- Custom range configuration
- Overpressure and/or vacuum protection

APPLICATIONS

- Booster stations
- Pumping systems
- Irrigation equipment
- PTO systems
- Submersible pump control

DESCRIPTION

The **Series 626 & 628 Pressure Transmitters** feature a piezo-resistive sensor contained in a compact, rugged, NEMA 4X (IP66) stainless steel general purpose housing or cast aluminum conduit housing.

Dwyer offers optional configurations to address multiple common points of failure that have traditionally challenged the use of similar products in extreme conditions. The 626 & 628 are uniquely suited for precision irrigation and additional outdoor power equipment applications. The corrosion resistant 316L stainless steel wetted parts allow the Series 626 & 628 transmitters to measure pressure in a multitude of processes from simple irrigation systems to chemical dosing and injection systems. Optional wetted materials such as C-276 offer chemical compatibility with aggressive media. The 626 & 628 can be configured to provide advanced environmental protection. This includes, but is not limited to, freeze/thaw protection for outdoor cold weather applications, vibration resistance, and/or overpressure protection to protect the sensors against pressure surges or pump cavitation. The Series 626 & 628 are available in absolute and gauge pressure ranges with a variety of optional outputs, process connections, electrical terminations, and select agency approvals to allow you to select the correct transmitter for your application.

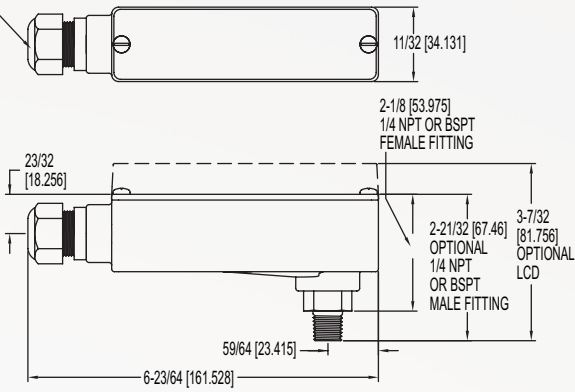
Contact Dwyer Instruments today to discuss your specific application needs.

SPECIFICATIONS

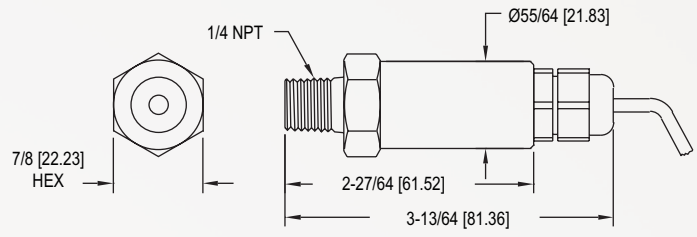
Service	Compatible gases and liquids.
Wetted Materials	Type 316L SS. (Consult factory for additional options)
Accuracy	626: 0.25% FS, 0.20% RSS; 628: 1.0% FS, 0.5% RSS; 626 absolute ranges: 0.5% FS, 0.30% RSS. (Includes linearity, hysteresis, and repeatability).
Temperature Limit	0 to 200°F (-18 to 93°C).
Compensated Temperature Range	0 to 175°F (-18 to 79°C).
Thermal Effect	±0.2% FS/°F (includes zero and span).
Pressure Limits	See table on catalog page.
Display	Optional 4-1/2 digit LCD field attachable display. For -CB option.
Power Requirement	10-30 VDC (for 4-20 mA, 0-5, 1-5, VDC outputs); 13-30 VDC (for 0-10 VDC output); 5 VDC ±0.5 VDC (for 0.5-4.5 VDC ratiometric output), 10-35 VDC (for 4-20 mA with -CB option); 13-35 VDC or isolated 16-33 VAC (for selectable output with -CB option).
Output Signal	4-20 mA, 0-5 VDC, 1-5 VDC, 0-10 VDC, or 0.5-4.5 VDC, or selectable 0-5, 1-5, 0-10, 2-10 VDC for -CB option.
Response Time	300 ms.
Loop Resistance	0 to 1000 Ω max. R max = 50 (Vps-10) Ω (4-20 mA output), 0 to 1250 Ω max. Rmax = 50(Vps-10) Ω (4 to 20 mA output with -CB option), 5K Ω (0-5, 1-5, 0-10, 0.5-4.5 VDC output).
Stability	1.0% FS/year (typ).
Current Consumption	38 mA maximum (for 4-20 mA output); 10 mA maximum (for 0-5, 1-5, 0-10, 0.5-4.5 VDC output); 140 mA maximum (for all 626/628/629-CH with optional LED).
Electrical Connections	See model chart.
Process Connections	See model chart.
Enclosure Rating	NEMA 4X (IP66).
Weight	10 oz (283 g).
Agency Approvals	Standard: CE; Optional: NSF/ANSI 61/372, ANSI/UL 218, ANSI/UL 508, NEPA 20.

DIMENSIONS

LIQUID TIGHT FITTING
CORD DIAMETER RANGE
.200 TO .350
(5.08 TO 8.89)



Conduit housing



General purpose housing

HOW TO ORDER

Use the **bold** characters from the chart below to construct a product code.

	626	-05	-GH	-P3	-E1	-S1	-NIST	
SERIES	<p>626: 0.25% full scale accuracy 628: 1.0% full scale accuracy</p>							<p>OPTIONS</p> <ul style="list-style-type: none"> -AT: Aluminum tag -LED: Bright red LED display -NIST: NIST traceable calibration certificate -NW: NSF/ANSI 61/372 certified
RANGE	<p>-00: 0 to 15 psia* -14: 0 to 500 psi -01: 0 to 30 psia* -22: 0 to 600 psi -02: 0 to 50 psia* -15: 0 to 1000 psi -03: 0 to 100 psia* -16: 0 to 1500 psi -04: 0 to 200 psia* -18: 0 to 3000 psi -05: 0 to 300 psia* -19: 0 to 5000 psi -06: 0 to 5 psi -26: 0 to 8000 psi -07: 0 to 15 psi -67: 0 to 0.5 bar* -08: 0 to 30 psi -71: 0 to 2.5 bar* -09: 0 to 50 psi -75: 0 to 10 bar* -10: 0 to 100 psi -81: 0 to 40 bar* -11: 0 to 150 psi -12: 0 to 200 psi *Only available on -13: 0 to 300 psi -GH housing models</p>						<p>SIGNAL OUTPUT</p> <ul style="list-style-type: none"> -S1: 4-20 mA -S2: 1-5 VDC -S4: 0-5 VDC -S5: 0-10 VDC -S7: 0.5-4.5 VDC -S8: 0-5, 1-5, 0-10, 2-10 VDC 	
HOUSING	<p>-CB: Conduit box housing -GH: General purpose housing</p>							<p>ELECTRICAL CONNECTIONS</p> <ul style="list-style-type: none"> -E1: Cable gland with 3' of prewired cable -E3: Cable gland with 9' of prewired cable -E4: DIN EN 175801-803-C -E5: 1/2" female NPT conduit -E6: M-12 4-pin connector UL listed -E8: Packard connector -E9: M-12 4-pin connector non-UL listed
								<p>PROCESS CONNECTIONS</p> <ul style="list-style-type: none"> -P1: 1/4" male NPT -P2: 1/4" female NPT -P3: 1/4" male BSPT -P5: 1/4" female SAE with refrigerant valve depressor -P9: 1/2" male NPT

ACCESSORIES

Model	Description
A-164	16.4' (5 m) cable with M-12 4-pin female connector
A-62X-LCD	Field-upgradeable LCD
A-960	3' (1 m) Packard cable
A-961	9' (3 m) Packard cable
A-962	20' (7 m) Packard cable

ORDER ONLINE TODAY!

dwyer-inst.com/Product/Series626-628



DWYER INSTRUMENTS, INC.