

Model	WLD1703S
Sizes	1/2"
Connections	NPT
Body Material	Stainless Steel
Options	Blowdown Valve
PMO Max. Operating Pressure	250 PSIG
TMO Max. Operating Temperature	750°F
PMA Max. Allowable Pressure	915 PSIG up to 250°F
TMA Max. Allowable Temperature	610°F @ 750 PSIG

Typical Applications

The **WLD1703S** is used on air and gas applications as drip traps on system mains and other piping runs. These drain traps are ideal for outdoor applications where units are subject to freezing.

How It Works

The disc type liquid drain trap has a cyclic on/off operation with a disc that is pushed open when condensate is present and pulled closed when air or gas tries to escape.

Features

- Rugged, stainless steel body and hardened seat
- Handles a wide range of pressures up to 250 PSIG
- Works in any position (horizontal preferable)
- Integral strainer with blowdown option
- Three-holed balanced discharge
- Freeze-proof in vertical flow-down position

Sample Specification

Drain Trap shall be a Disc Type with an all stainless steel construction. Body shall have a built-in strainer with optional blowdown valve. Integral seat design and disc to be hardened for long service life. Unit shall be capable of installation in any orientation and self-draining when mounted vertically with flow direction downwards.

Installation

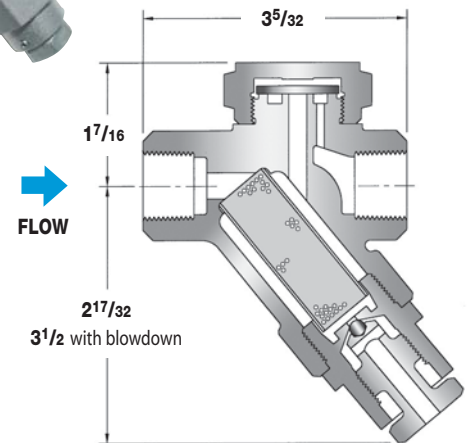
Drain Trap can be installed in any position; however, horizontal is preferred. Installation should include isolation valves for maintenance purposes.



WLD1703SB
with Strainer &
Blowdown
Valve

WLD1703S
with Strainer

WLD1703SB
with Strainer &
Blowdown
Valve



Units: inches

Maintenance

Dirt is the most common cause of premature failure. The strainer may require periodic cleaning. For full maintenance details see Installation and Maintenance Manual.

Options

Blowdown valve allows strainer to be cleaned without removal.

MATERIALS

Body	Stainless Steel, AISI 420F
Disc	Stainless Steel, AISI 420
Cap	Stainless Steel, AISI 416
Strainer Screen	Stainless Steel, AISI 304
Blowdown Valve*	Stainless Steel, AISI 303

* WLD1703SB model only.

CAPACITIES – Cold Water (lbs/hr)

Model Code	Description	Pipe Size	Inlet Pressure (PSIG)											
			2	5	10	25	50	80	100	125	150	180	200	250
WLD1703S-12-N	Strainer	1/2"	90	130	190	300	425	530	600	670	715	790	835	955
WLD1703SB-12-N	Strainer & Blowdown		90	130	190	300	425	530	600	670	715	790	835	955

Note: 1) Maximum back pressure not to exceed 80% of inlet pressure.

2) To determine gallons per minute of flow, divide values in chart by 500. **Example:** 600 lbs/hr = 600 ÷ 500 = 1.2 GPM