

# SR200 (Multi-point Type) Hybrid Recorder

## Overview

As a standard feature, in addition to recording data on chart paper, the SR200 Hybrid Recorder (6/12/24 dot printing model) has a slot for an SD card (sold separately), allowing data storage and reading and writing of settings.

This recorder also has an LCD digital display for easy reading of measured values, and provides three display modes: 1-point digital display, multi-point batch digital display, and digital display plus bar graph display.

Various settings for measurement and recording can be easily checked on the LCD digital display using the keys on the front panel.

## Features

### • SD card support

Equipped with a standard slot for SD cards (sold separately), which can be used to store data and write or read settings.

### • Full multi-range input

A total of 58 input ranges is standard equipment: 10 for DC voltage, 36 for thermocouples, and 12 for resistance thermometers.

Ranges can be freely set for each channel.

### • Easy data management using the communication function

The USB port enables direct connection to a PC.

Optional RS-232C, RS-422A, RS-485, and Ethernet communication interfaces are available.

With an Ethernet interface, e-mail notifications of alarms can be sent, and settings can be changed remotely using a Web browser.

### • Comes with a software package

Data editing software for use on a personal computer allows data to be processed, in addition to easy recording and management.

Note: An optional communication interface is required.

Analysis software enables replay and display, waveform processing, editing, and trend display from recorded data files.

In addition, parameter setting software allows the user to manage settings from a PC.



### • Alarm display and printing functions are standard

Four types of alarms can be defined for each input port. When an alarm is activated, "ALM" and the measured value begin flashing on the LCD operation screen.

### • End-of-chart detection function

Alarm actions upon detecting the end of the chart paper can be defined.

### • A variety of calculation functions

Measured data can be processed according to specified calculation settings, and the results of calculation can be displayed for each channel's displayed/recorded data.

## Specifications

<b>Measurement point</b>	<b>Measurement point</b>	6/12/24																																					
	<b>Input type</b>	[DC voltage] ±13.8 mV, ±27.6 mV, ±69.0 mV, ±200 mV, ±500 mV, ±1 V, ±5 V, ±10V, ±20 V, ±50 V [DC current] Supported by additional shunt resistor (250 Ω) [Thermocouple] K, E, J, T, R, S, B, N, U, L, W-WRe26, WRe5-WRe26, PtRh40-PtRh20, NiMo-Ni, CR-AuFe, Platinel II, Au/Pt [Resistance thermometer] Pt100, old Pt100, JPt100, Pt50, Pt-Co																																					
	<b>Measuring interval</b>	1 sec / 6-point, 2 sec / 12-point, 2sec / 24-point																																					
	<b>Input resolution</b>	Approx. 1/40000 minimum (converted into reference range)																																					
	<b>Input resistance</b>	Thermocouple/DC voltage (±5 V or lower range): 6 MΩ or higher DC voltage (±10 V or higher range): Approx. 1 MΩ																																					
	<b>Burnout</b>	None/UP/DOWN selected for each input CH for thermocouple, resistance thermometer and DC voltage (±500 mV or lower range). These cannot be selected with DC voltage (±1 V or higher range). Maximum time to burnout detection is three times as long as measuring interval.																																					
	<b>Allowable signal source resistance</b>	[Thermocouple/DC voltage] Burnout disabled: 1 k Ω or lower Burnout enabled: 100 Ω or lower [Resistance thermometer] 10 Ω or lower per wire, the same resistance for 3 wires																																					
	<b>Maximum input voltage</b>	Thermocouple/DC voltage (±5 V or lower range): ±10 V or lower DC voltage (±10 V or higher range): ±60 V or lower Resistance thermometer: ±6 V or lower																																					
	<b>Measuring current</b>	Resistance thermometer: 1 mA ±20%																																					
	<b>Maximum common mode voltage</b>	30 Vac/60 Vdc																																					
	<b>Common mode rejection ratio</b>	130 dB or more (50/60 Hz)																																					
	<b>Series mode rejection ratio</b>	50 dB or more (50/60 Hz)																																					
	<b>Terminal board</b>	Detachable																																					
	<b>Accuracy rating</b>	Refer to the tables of measuring range, rated accuracy and display resolution.																																					
	<b>Reference junction compensation accuracy</b>	Refer to the table of reference junction compensation accuracy.																																					
<b>Temperature drift</b>	±0.01 %FS/°C Converted into reference electromotive force.																																						
<b>Recording specifications</b>	<b>Recording system</b>	Wire-dot type 6-color ribbon (trace printing and digital recording/printing)																																					
	<b>Recording color</b>	Trace printing (default colors) <table border="1" data-bbox="518 1400 1428 1496"> <thead> <tr> <th>CH</th> <th>1,7 13,19</th> <th>2,8 14,20</th> <th>3,9 15,21</th> <th>4,10 16,22</th> <th>5,11 17,23</th> <th>6,12 18,24</th> </tr> </thead> <tbody> <tr> <th>Color</th> <td>Red</td> <td>Black</td> <td>Blue</td> <td>Green</td> <td>Brown</td> <td>Purple</td> </tr> </tbody> </table> Digital recording/printing <table border="1" data-bbox="518 1541 1428 1966"> <tbody> <tr> <td><b>Periodic data printing</b></td> <td>Six colors (red, black, blue, green, brown and purple) repeated</td> </tr> <tr> <td><b>Data printing</b></td> <td>Six colors (red, black, blue, green, brown and purple) repeated</td> </tr> <tr> <td><b>Subtract printing</b></td> <td>Same as trace printing CH</td> </tr> <tr> <td><b>Printing at power-on</b></td> <td>Six colors (red, black, blue, green, brown and purple) repeated</td> </tr> <tr> <td><b>Printing at recording start</b></td> <td>Six colors (red, black, blue, green, brown and purple) repeated</td> </tr> <tr> <td><b>Alarm printing</b></td> <td>Red (activated), green (reset)</td> </tr> <tr> <td><b>List printing</b></td> <td>Black, but CH-specific items use the same color as trace printing CH</td> </tr> <tr> <td><b>Message printing</b></td> <td>Arbitrary color</td> </tr> <tr> <td><b>Calendar timer printing</b></td> <td>Brown</td> </tr> <tr> <td><b>CH No. printing</b></td> <td>Same as trace printing CH</td> </tr> <tr> <td><b>CH No. printing</b></td> <td>Black</td> </tr> <tr> <td><b>Operation recording</b></td> <td>Arbitrary color</td> </tr> </tbody> </table>	CH	1,7 13,19	2,8 14,20	3,9 15,21	4,10 16,22	5,11 17,23	6,12 18,24	Color	Red	Black	Blue	Green	Brown	Purple	<b>Periodic data printing</b>	Six colors (red, black, blue, green, brown and purple) repeated	<b>Data printing</b>	Six colors (red, black, blue, green, brown and purple) repeated	<b>Subtract printing</b>	Same as trace printing CH	<b>Printing at power-on</b>	Six colors (red, black, blue, green, brown and purple) repeated	<b>Printing at recording start</b>	Six colors (red, black, blue, green, brown and purple) repeated	<b>Alarm printing</b>	Red (activated), green (reset)	<b>List printing</b>	Black, but CH-specific items use the same color as trace printing CH	<b>Message printing</b>	Arbitrary color	<b>Calendar timer printing</b>	Brown	<b>CH No. printing</b>	Same as trace printing CH	<b>CH No. printing</b>	Black	<b>Operation recording</b>
CH	1,7 13,19	2,8 14,20	3,9 15,21	4,10 16,22	5,11 17,23	6,12 18,24																																	
Color	Red	Black	Blue	Green	Brown	Purple																																	
<b>Periodic data printing</b>	Six colors (red, black, blue, green, brown and purple) repeated																																						
<b>Data printing</b>	Six colors (red, black, blue, green, brown and purple) repeated																																						
<b>Subtract printing</b>	Same as trace printing CH																																						
<b>Printing at power-on</b>	Six colors (red, black, blue, green, brown and purple) repeated																																						
<b>Printing at recording start</b>	Six colors (red, black, blue, green, brown and purple) repeated																																						
<b>Alarm printing</b>	Red (activated), green (reset)																																						
<b>List printing</b>	Black, but CH-specific items use the same color as trace printing CH																																						
<b>Message printing</b>	Arbitrary color																																						
<b>Calendar timer printing</b>	Brown																																						
<b>CH No. printing</b>	Same as trace printing CH																																						
<b>CH No. printing</b>	Black																																						
<b>Operation recording</b>	Arbitrary color																																						
<b>Recording interval</b>	Normal: Approx. 5 sec/point, Fast: Approx. 2.5 sec/point Synchro: Linked to chart speed																																						

<b>Recording specifications</b>	<b>Chart</b>	Fan-fold type (total width 200 mm, total length 20 m, recordable width 180 mm)
	<b>Recording/printing colors</b>	For trace printing, six colors can be arbitrarily assigned. For the default colors, see the trace printing color table on page 2.
	<b>Recording deadband</b>	0.2 %
	<b>Chart speed</b>	1 to 1500 mm/h, in 1 mm/h increments 12.5 mm/h can be set exceptionally.
	<b>Chart fast-feed</b>	Operated by FEED key Feed 0.1 mm by one quick press of the key or feed continuously (approx. 600 mm/min) by holding down the key.
	<b>Display/recording ON/OFF</b>	Select ON/OFF for trace printing to chart, digital printing to chart and recording to SD card for each CH.
	<b>Subtract printing</b>	Difference between reference CH value and measured value or between set value and measured value is printed.
	<b>Zone printing</b>	2/3/4 divisions
	<b>Compressed/expanded printing</b>	Chart recording lower/upper limit is made non-linear, and specific chart recording lower/upper limit is shrunk or expanded.
	<b>Automatic range-shift</b>	Recording range is shifted automatically to another set range when measured value exceeds the current range. Overlap function available
	<b>Periodic data printing</b>	Digital printing is added to trace printing at (1) arbitrary intervals or (2) specified time. Printed items: Time, CH No., data and unit (1) Set interval and start time. Interval is limited by chart speed. (2) Set time for printing (24 points maximum)
	<b>Data printing</b>	Digital printing is performed when required, interrupting trace printing. Printed items: Time, CH No., data and unit Consecutive requests are limited to a certain number.
	<b>Fixed time printing</b>	Date, time and time line, scale (ZERO/SPAN), CH No. & tag, and unit can be printed in conjunction with the chart speed. Year/month/date is printed instead of month/date when printed at every midnight. Tag is printed at the set time only.
	<b>Printing at power-on</b>	Date and time are printed at power-on.
	<b>Printing at recording start</b>	Date and time are printed at recording start (recording OFF → ON).
	<b>Alarm printing</b>	Alarm activation time, CH No., alarm type and level are printed at alarm activation. Reset time, CH No., hyphen and alarm level are printed at alarm reset. Up to 48 data can be memorized.
	<b>List printing</b>	List printing is performed when required, interrupting trace printing. (1) "List 1": Major setting information Date, time, CH setting, recording setting and alarm setting (2) "List 2": Additional setting information Date, time, additional setting and optional setting (3) "List 3": List 1 + List 2 Date, time, List 1 + List 2 (4) Others Printing can be stopped. Consecutive requests are limited to a certain number.
	<b>Message printing</b>	Printing is performed when required. Trace printing can be continued/interrupted. Linking to alarm activation/reset possible. One message consists of up to 15 characters (alphabets, numbers, katakana, symbols, etc.). Up to 20 types can be registered. Consecutive requests are limited to a certain number.
	<b>Calendar timer printing</b>	Printing is performed with calendar timer ON and printing enabled. Trace printing is continued. Printed items: Date, time, calendar timer No. and message One message consists of up to 15 characters (alphabets, numbers, katakana, symbols, etc.), shared by message printing
	<b>Channel number printing</b>	Channel number is printed in conjunction with the chart speed.
<b>Setting change mark</b>	Δ is printed on the right side of chart when setting change occurs.	
<b>Operation recording</b>	Remote contact ON/OFF status is recorded with straight line to specified area. Specified area: Within the range of 0 to 90 % Up to 20 types can be recorded. * Only for the unit using remote contact and enabling operation recording.	
<b>Chart illumination</b>	White LED ON/OFF/AUTO (turn OFF after 3-minute unused period)	
<b>Chart end detection</b>	Notified on the operation window. Automatic recording stop (the rest operated normally)	

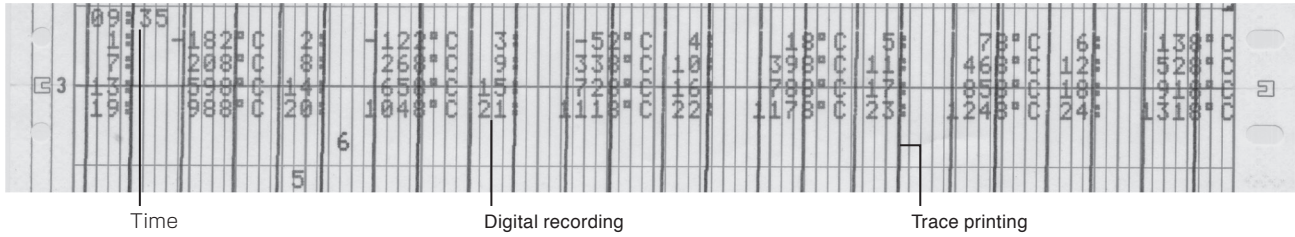
<b>Indication/ display specifications</b>	<b>Digital display</b>	Full dot monochrome LCD 264 x 48 dots Display area 184 x 22 mm White LED backlight (turned off after 3-minute unused period when selecting AUTO) Channel number: 2 digits Data display: 5 digits (+/- and decimal point excluded)	
	<b>Analog indication</b>	180 mm LCD bar graph	
	<b>Analog indication deadband</b>	Undefined (no analog indication)	
	<b>Status LED</b>	(1) REC: Green LED OFF: Recording stopped Flash: Data printing, list printing and message printing in progress (2) CARD: Green LED OFF: No card inserted Flash: Card being accessed ON: Card inserted (3) ALM: Red LED OFF: All alarm OFF Flash: Any alarm ON	
	<b>Operation/set keys</b>	FUNC1: Function switch 1 FUNC2: Function switch 2 ENTER: Register settings MENU: Display settings ESC: Cancel settings ▲ : Forward ▼ : Reverse ◀ : Move left ▶ : Move right REC: Recording start/stop FEED: Chart fast feed DATAP: Data print	
	<b>Front engineering port</b>	Mini-USB port	
<b>Calculate specification</b>	<b>Calculation types</b>	None, Root (square root), LOGe (natural logarithm), LOG10 (common logarithm), INT (integration), Humidity, COM.Input (data communications input), MUL (arithmetic 1), DIV (arithmetic 2), High-Peak (max value), Low-Peak (min value), Average, Power (exponent), Formula, BrokenLine (broken line approximation)	
	<b>Formula</b>	Calculate	Four arithmetic operations, Comparison operation, Logical operation, General calculation functions
		Function	Integration, 24-hour integration, F value, Relative humidity, Dew-point temp, Moving average, First-order lag filter, Increment per unit time
<b>General specifications</b>	<b>Rated power voltage</b>	100 to 240 Vac 50/60 Hz	
	<b>Power consumption</b>	MAX 65 VA 100 Vac balanced: 22 VA 240 Vac balanced: 31 VA * Balanced: Only recording. Alarm and communication are notoperated	
	<b>Memory protection</b>	Set contents maintained by nonvolatile RAM. Clock data maintained by lithium battery. (Data saved for more than 10 years with 8-hour or more operation per day.) (Alarm message displayed when battery level drops.)	
	<b>Clock accuracy</b>	±2 minutes in 30 days (under reference operating condition, error caused by power ON/OFF excluded)	
	<b>Insulation resistance</b>	Primary terminal – protective conductor terminal: 1500 Vac (1 min) Secondary terminal – protective conductor terminal: 500 Vac (1 min) Primary terminal – secondary terminal: 1500 Vac (1 min) * Primary terminal: General power terminal (100 to 240 V), alarm output terminal of mechanical relay “a” and mechanical relay “c” Secondary terminal: All terminals other than primary and protective conductor terminals	
	<b>Exterior material</b>	[Front] Door: Aluminum die-casting (ADC12) Glass: Soda glass [Rear] Case: Cold-rolled steel plate (SPCC)	
	<b>Exterior color</b>	[Front] Door: Black (equivalent of Munsell N3.0) Glass: Clear and colorless [Rear] Case: Gray (equivalent of Munsell N7.0)	

<b>General specifications</b>	<b>Normal operating condition</b>	Ambient emperature	0 to 50 °C (20 to 65 %RH, non-condensing)		
		Ambient humidity	20 to 80 %RH, non-condensing (5 to 45 °C)		
		Power voltage	100 to 240 Vac ±10 %		
		Power frequency	50/60 Hz ±2 %		
		Mounting posture	Forward tilt 0°, backward tilt 0 to 30°, left and right 0 to 10°		
	<b>Terminal screw</b>	Power terminal: M4.0 Protective conductor terminal: M4.0 Measuring input terminal: M3.5 Alarm output terminal: M3.5 Remote contact terminal: M3.5 Communications terminal: M3.0			
	<b>Weight</b>	Approx. 7.8 kg (with full options)			
<b>Mounting type</b>	Panel mounting Mounting brackets attached to the top and bottom sides				
<b>Marking</b>	CE marking EN61326-1, EN61010-1				
<b>Option</b>	<b>External Operation</b>	Using remote contact signal (no-voltage contact: short or open), selection of chart speed or data printing can be executed without operating keys at the operation/set keys section.			
		Input points	5, 10, 20		
		Input type	Non-voltage contact or open collector		
		Outside point of contact capacity	5 Vdc / 2 mA		
		Functions	(1) Recording start/stop		
			(2) Select chart speed from three speeds		
			(3) Data printing		
			(4) List printing		
			(5) Message printing		
			(6) Periodic (Date Interval) data printing		
	(7) Integration value reset				
	(8) SD card recording data-saving				
	(9) Integration value reset				
(10) Time correction					
<b>Alarm output</b>	Mechanical relay output Common to 'a' contact · · · 2, 6, 12, 24 Max load 100 to 240 Vac 2 A 30 Vdc 2 A Minimum load 100 mVdc 100 µA Mechanical relay output Common to 'c' contact · · · 4, 8, 16 Max load 100 to 240 Vac 2 A 30 Vdc 2 A Minimum load 100 mVdc 100 µA				
<b>communication interface</b>	RS-232C, RS-422A, RS-485, Ethernet				
<b>Communication protocol</b>	MODBUS (ASCII/RTU), MODBUS/TCP				
<b>Accessories</b>	<b>Item</b>	<b>Remarks</b>	<b>Q'ty</b>		
	CD-ROM (Instruction manual, various application)	<b>SR-911DC0000</b>	1		
	Instruction manual [Wiring/Installation]	-	1		
	Bracket	<b>81446641-001</b>	2 (1 set)		
	Terminal screw	-	5		
	Folding chart (100 divisions)	<b>81407861-001</b>	1		
	Ribbon cassette	<b>SR-922RC0000</b>	1		

## Example of recording

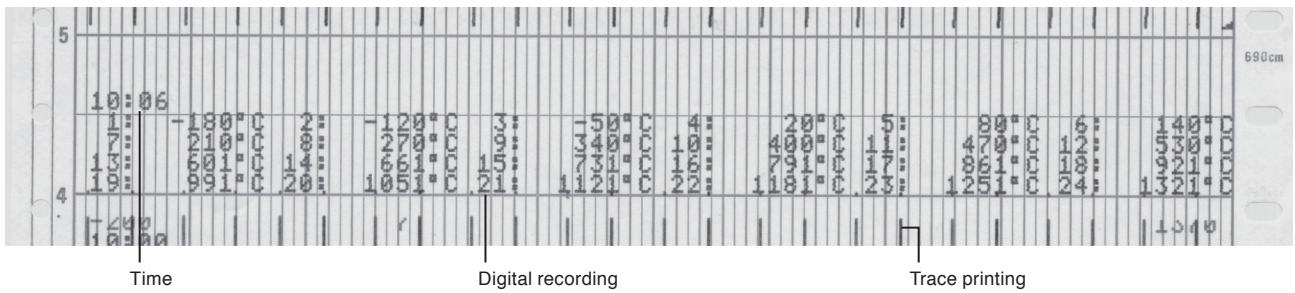
### ● Periodic data printing

Record the data with time, scale, chart speed, setting change mark and time line over trace printing by arbitrary interval.



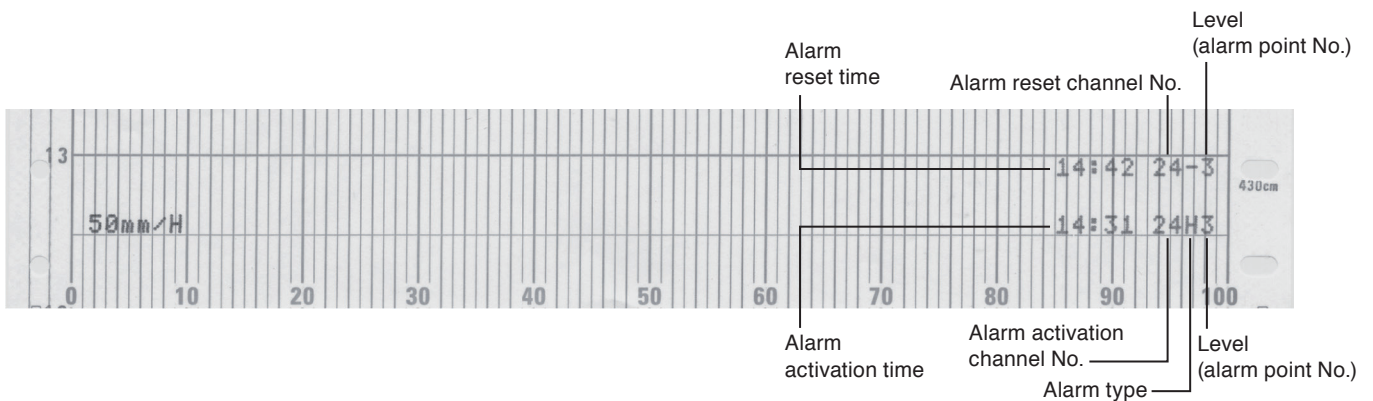
### ● Data print

When the latest data is required, trace printing will stop and recorded.



### ● Alarm activation and reset printing

When alarm is activates/reset, print time, channel No. alarm type, and alarm No.



**Table : Measuring range, rated accuracy and display resolution**

Input type		Measuring range	Reference range	Rated accuracy	Display resolution	
DC voltage	DC (mV)	-13.80 to +13.80 mV	±13.8 mV	±0.1 %FS ±1 digit	10 μV	
		-27.60 to +27.60 mV	±27.6 mV		10 μV	
		-69.00 to +69.00 mV	±69.0 mV		10 μV	
		-200.0 to +200.0 mV	±200 mV		100 μV	
		-500.0 to +500.0 mV	±500 mV		100 μV	
	DC (V)	-1.00 to +1.00 V	±1 V		10 mV	
		-5.00 to +5.00 V	±5 V		10 mV	
		-10.00 to +10.00 V	±10 V		10 mV	
		-20.00 to +20.00 V	±20 V		10 mV	
		-50.00 to +50.00 V	±50 V		10 mV	
Thermocouple	K	-200.00 to +300.00 °C	±13.8 mV	±0.1 %FS ±1 digit	0.1 °C	
		-200.0 to +600.0 °C	±27.6 mV		0.1 °C	
		-200 to +1370 °C	±69.0 mV		1 °C	
	E	-200.0 to +200.0 °C	±13.8 mV		0.1 °C	
		-200.0 to +350.0 °C	±27.6 mV		0.1 °C	
		-200 to +900 °C	±69.0 mV		1 °C	
	J	-200.0 to +250.0 °C	±13.8 mV		0.1 °C	
		-200.0 to +500.0 °C	±27.6 mV		0.1 °C	
		-200 to +1200 °C	±69.0 mV		1 °C	
	T	-200.0 to +250.0 °C	±13.8 mV		0.1 °C	
		-200.0 to +400.0 °C	±27.6 mV		0.1 °C	
	R	0 to 1200 °C	±13.8 mV		1 °C	
		0 to 1760 °C	±27.6 mV		1 °C	
	S	0 to 1300 °C	±13.8 mV		1 °C	
		0 to 1760 °C	±27.6 mV		1 °C	
	B	0 to 1820 °C	±13.8 mV		1 °C	
	N	-200 to +400 °C	±13.8 mV		0.1 °C	
		-200 to +750 °C	±27.6 mV		0.1 °C	
		-200 to +1300 °C	±69.0 mV		1 °C	
	U	-200.0 to +250.0 °C	±13.8 mV		0.1 °C	
		-200.0 to +500.0 °C	±27.6 mV		0.1 °C	
		-200.0 to +600.0 °C	±69.0 mV		0.1 °C	
	L	-200.0 to +250.0 °C	±13.8 mV		0.1 °C	
		-200.0 to +500.0 °C	±27.6 mV		0.1 °C	
		-200 to +900 °C	±69.0 mV		1 °C	
	W-WRe26	0 to 2315 °C	±69.0 mV		±0.15 %FS ±1 digit	1 °C
	WRe5-WRe26	0 to 2315 °C	±69.0 mV		±0.2 %FS ±1 digit	1 °C
	NiMo-Ni	0.0 to 290.0 °C	±13.8 mV			0.1 °C
		0.0 to 600.0 °C	±27.6 mV			0.1 °C
		0 to 1310 °C	±69.0 mV		1 °C	
Platinelll	0.0 to 350.0 °C	±13.8 mV	±0.15 %FS ±1 digit	0.1 °C		
	0.0 to 650.0 °C	±27.6 mV		0.1 °C		
	0 to 1390 °C	±69.0 mV		1 °C		
PtRh40-PtRh20	0 to 1880 °C	±13.8 mV	±0.2 %FS ±1 digit	1 °C		
CR-AuFe	0.0 to 280.0 K	±6.9 mV		0.1 K		
Au/Pt	0.0 to 1000.0 °C	±27.6 mV		0.1 °C		
Resistance thermometer	Pt100	-140.0 to +150.0 °C	160 Ω	±0.1 %FS ±1 digit	0.1 °C	
		-200.0 to +300.0 °C	220 Ω		0.1 °C	
		-200.0 to +649.0 °C	340 Ω		0.1 °C	
		-200.0 to +850.0 °C	400 Ω		0.1 °C	
	Old Pt100	-140.0 to +150.0 °C	160 Ω		0.1 °C	
		-200.0 to +300.0 °C	220 Ω		0.1 °C	
		-200.0 to +649.0 °C	340 Ω		0.1 °C	
	JPt100	-140.0 to +150.0 °C	160 Ω		0.1 °C	
		-200.0 to +300.0 °C	220 Ω		0.1 °C	
		-200.0 to +649.0 °C	340 Ω		0.1 °C	
	Pt50	-200.0 to +649.0 °C	220 Ω		0.1 °C	
	Pt-Co	4.0 to 374.0 K	220 Ω		±0.15 %FS ± 1 digit	0.1 K

\* Measuring range conversion accuracy under reference operating condition. Reference junction compensation accuracy is added for thermocouple input.

K, E, J, T, R, S, B, N:IEC584 (1977, 1982), JIS C 1602-1995, JIS C 1605-1995

W-WRe26, NiMo-Ni, Platinelll, PtRh40-PtRh20, CR-AuFe, Au/Pt:ASTM E1751 WRe5-WRe26:ASTM E988

U, L:DIN43710-1985 Pt100:IEC751 (1995), JIS C 1604-1997 Old Pt100:IEC751 (1983), JIS C 1604-1989, JIS C 1606-1989

JPt100:JIS C 1604-1981, JIS C 1606-1986 Pt50:JIS C 1604-1981 Pt-Co:CHINO

## ■ Escape clause of the precision rating

Input type	Escape clause range	Rated accuracy
K, E, J, N, U, L	-200 to 0 °C	±0.2 %FS ± 1 digit or equivalent of 70 µV, whichever is large
T	-200 to 0 °C	±0.2 % FS±1 digit
R, S	0 to 400 °C	±0.2 %FS ±1 digit
B	0 to 400 °C	None
	400 to 800 °C	±0.2 %FS ±1 digit
W-WRe26	0 to 400 °C	±0.3 %FS ±1 digit
PtRh40-PtRh20	0 to 400 °C	±1.5 %FS ±1 digit
	400 to 800 °C	±0.8 % FS±1 digit
CR-AuFe	0 to 20 K	±0.5 % FS±1 digit
	20 to 50 K	±0.3 %FS ±1 digit
Pt-Co	4 to 20 K	±0.5 %FS ±1 digit
	20 to 50 K	±0.3 %FS ±1 digit

## Model selection

I II III IV V VI VII

Ex. SR-206AN00NNN

I	II	III	IV	V	VI	VII	Discriptions
Model	Input point	Power	Communi-cations	Alarm output + remote contacts	Addition	Design code	
SR-2							180 mm chart recorder
	06						6 points
	12						12 points
	24						24 points
		A					100 to 240 Vac
			N				None
			E				Ethernet
			R				RS-232C
			A				RS-422A/RS-485
			Q				RS-232C+RS-485
			C				RS-422A/RS-485+RS-485
			G				Ethernet + RS-422A/RS-485 + RS-485
				0			None
				2			2 mechanical relay 'a' contact alarm outputs
				4			4 mechanical relay 'c' contact alarm outputs + 5 remote contacts
				A			6 mechanical relay 'a' contact alarm outputs + 5 remote contacts
				8			8 mechanical relay 'c' contact alarm outputs + 10 remote contacts
				B			12 mechanical relay 'a' contact alarm outputs + 10 remote contacts
				F			16 mechanical relay 'c' contact alarm outputs + 20 remote contacts
				D			24 mechanical relay 'a' contact alarm outputs + 20 remote contacts
				*1	0		None
					D		With inspection results
					Y		With traceability certification
						NNN	None

\*1 Additionally, tropicalization and anti-sulfidation treatments can be ordered. However, there are some specifications restrictions. For details, contact the azbil Group.



## Consumables

### • About attached chart paper

Item	Item number	Remarks	Printed sca
Folding chart 100 divisions	81407861-001	10 books 16 m	0, 20, 40, 60, 80, 100
Folding chart 100 divisions (20% Recycling paper)	81425049-001	10 books 16 m	0, 10, 20, 30, 40, 50 0, 20, 40, 60, 80, 100 0, 50, 100, 120, 160, 200 The above 3 paterns are printed.
Folding chart 120 divisions (20% Recycling paper)	81425049-002	10 books 16 m	0, 10, 20, 30, 40, 50,60 0, 200, 400, 600, 800, 1000, 1200 The above 2 paterns are printed.
Folding chart 60 divisions (20% Recycling paper)	81425049-003	10 books 16 m	0, 2, 4, 6, 8, 10, 12, 14 0, 10, 20, 30, 40, 50, 60, 70 The above 2 paterns are printed.
Folding chart 80 divisions (20% Recycling paper)	81425049-004	10 books 16 m	0, 20, 40, 60, 80 0, 100, 200, 300, 400 0, 400, 800, 1200, 1600 The above 3 paterns are printed.
Folding chart 150 divisions (20% Recycling paper)	81425049-005	10 books 16 m	0, 50, 100, 150
Clean paper chart 100 divisions	81407937-001	10 books 12 m	0, 20, 40, 60, 80, 100

\* The chart paper has the same printed linear scale as the standard scale.  
Therefore, it can be shared in regardless of input types (thermocouple, resistance thermometer, or others).

### • Ribbon cassette

Item	Item number	Quantity	Remark
Ribbon cassette	SR-922RC0000	1	

### • 250 Ω resistor

Item	Item number	Quantity	Remark
250 Ω resistor (accuracy ±0.02 %)	81401325	1 resistors	
250 Ω resistor (accuracy ±0.05 %)	81446642-001	2 resistors	

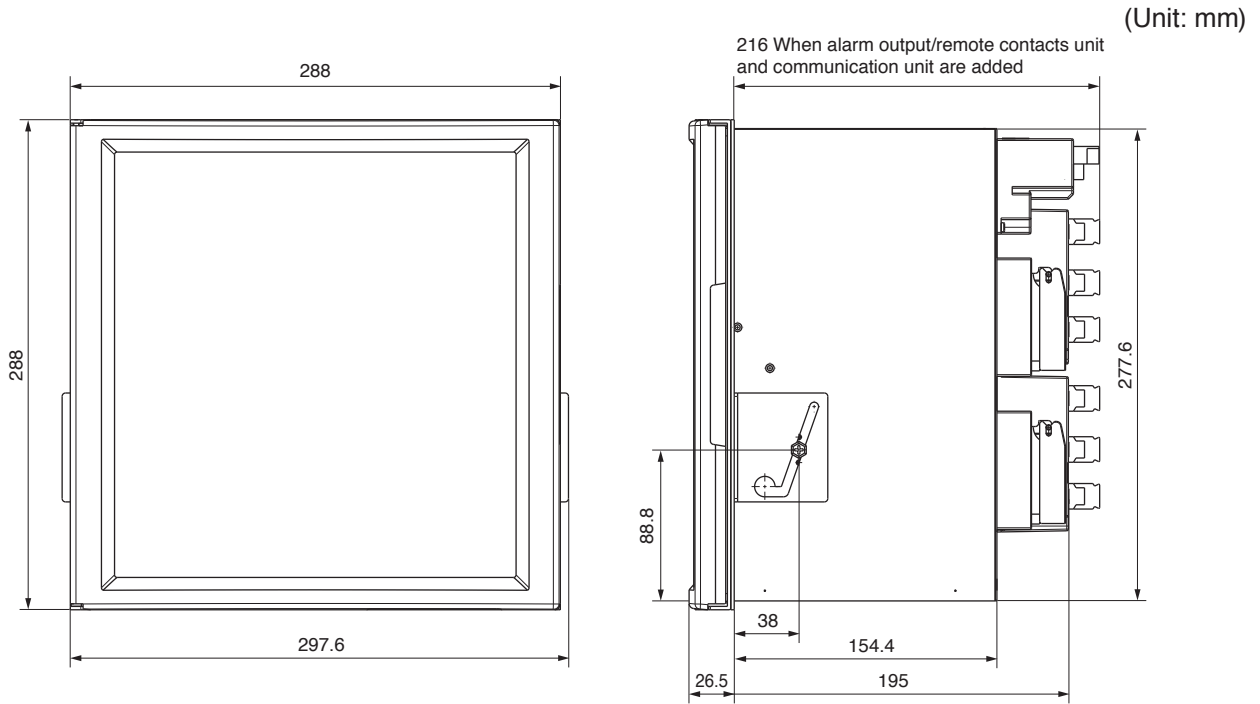
### • SD card

Item	Item number	Quantity	Remark
SD card (512 MB)	SR-911SD0512	1	
SD card (1 GB)	SR-911SD1000	1	
SD card (2 GB)	SR-911SD2000	1	

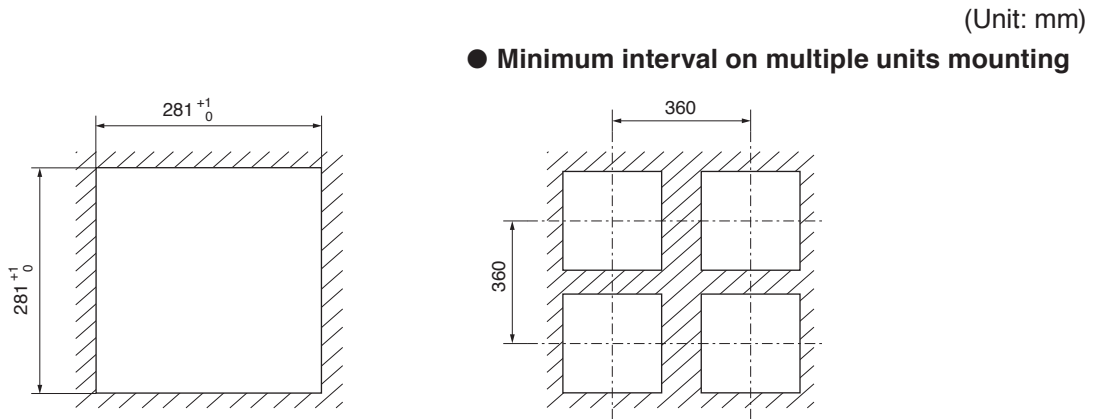
### • Tag plate

Item	Item number	Quantity	Remark
Tag plate (for 6points type)	SR-922TP0000	1	
Tag plate (for 12points type)	SR-922TP0001	1	
Tag plate (for 24points type)	SR-922TP0002	1	

## External dimensions



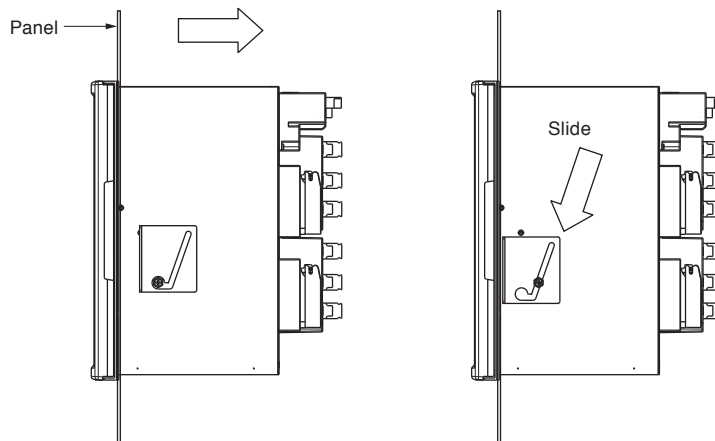
## Mounting



## Panel mounting method

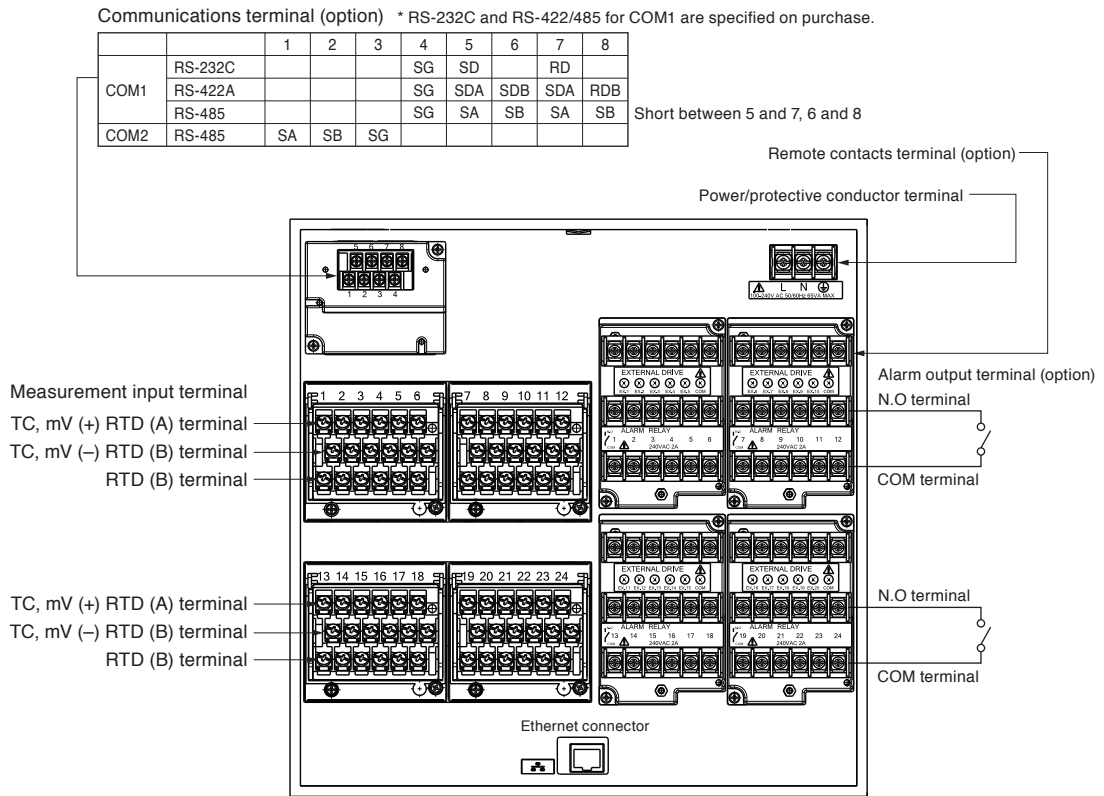
- (1) Insert the unit into the panel cutout from the front of the panel.
- (2) Screw lightly two provided mounting screws into the screw holes on left/right side (two locations in total) of the recorder.
- (3) Insert the hexagon heads of screws installed above into the round holes of brackets, (from the front) sliding them as shown in the figure, press it firmly against the panel, and tighten them with the provided wrench or a Phillips-head screwdriver. In addition, the tightening torque of the screw is 2 Nm (for use of a Phillips-head screwdriver).

\* Note that the left bracket differs from the right one (Mounting must be performed by two persons).

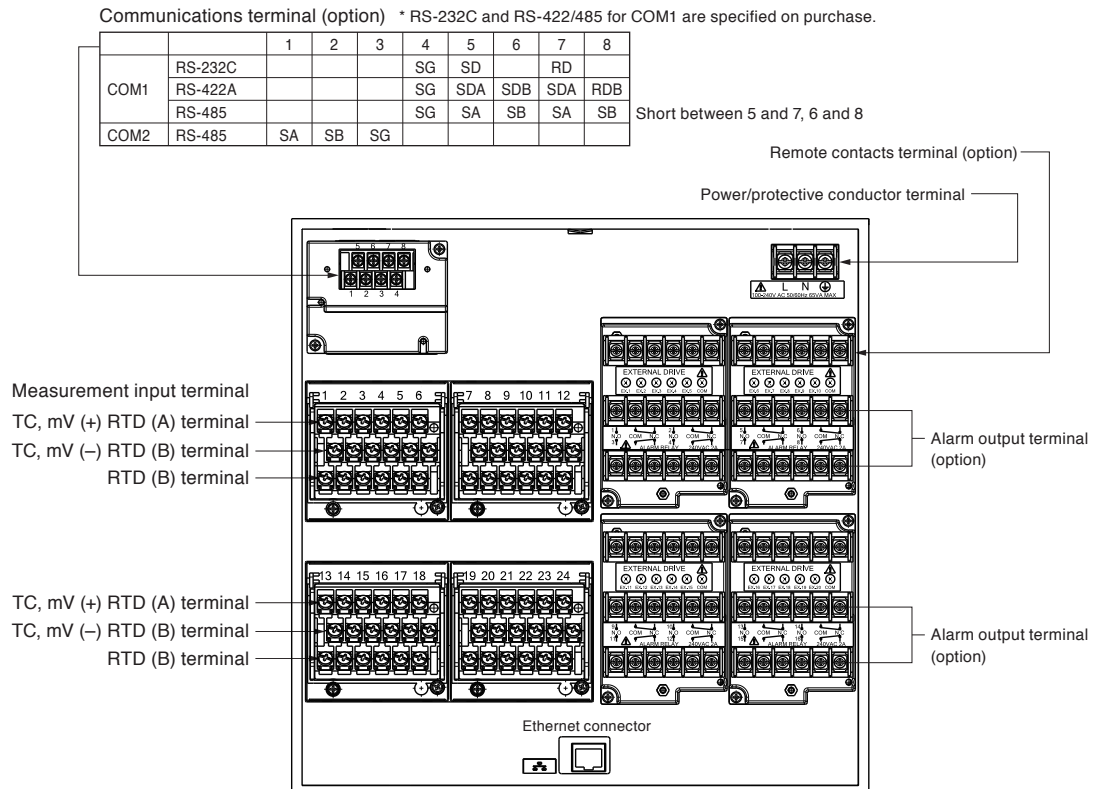


## Wiring

■ The figure below is the diagram of the terminal board with the option [Alarm relay output (24 points 'a' contact) + remote contacts (20 points) and communication interface].



■ The figure below is the diagram of the terminal board with the option [Alarm relay output (16 points 'c' contact) + remote contacts (20 points) and communication interface].



Please read the "Terms and Conditions" from the following URL before ordering or use:

<http://www.azbil.com/products/bi/order.html>

*Specifications are subject to change without notice.*

**azbil**

**[Sales agency]**

**Azbil Corporation**  
Advanced Automation Company

1-12-2 Kawana, Fujisawa  
Kanagawa 251-8522 Japan  
URL: <http://www.azbil.com/>

**[Manufacturer]**

**CHINO Corporation**

32-8 Kumano-cho, Itabashi-ku,  
Tokyo 173-8632 Japan

1st Edition: Issued in Dec. 2014

*No part of this publication may be reproduced or duplicated without the prior written permission of Azbil Corporation.*