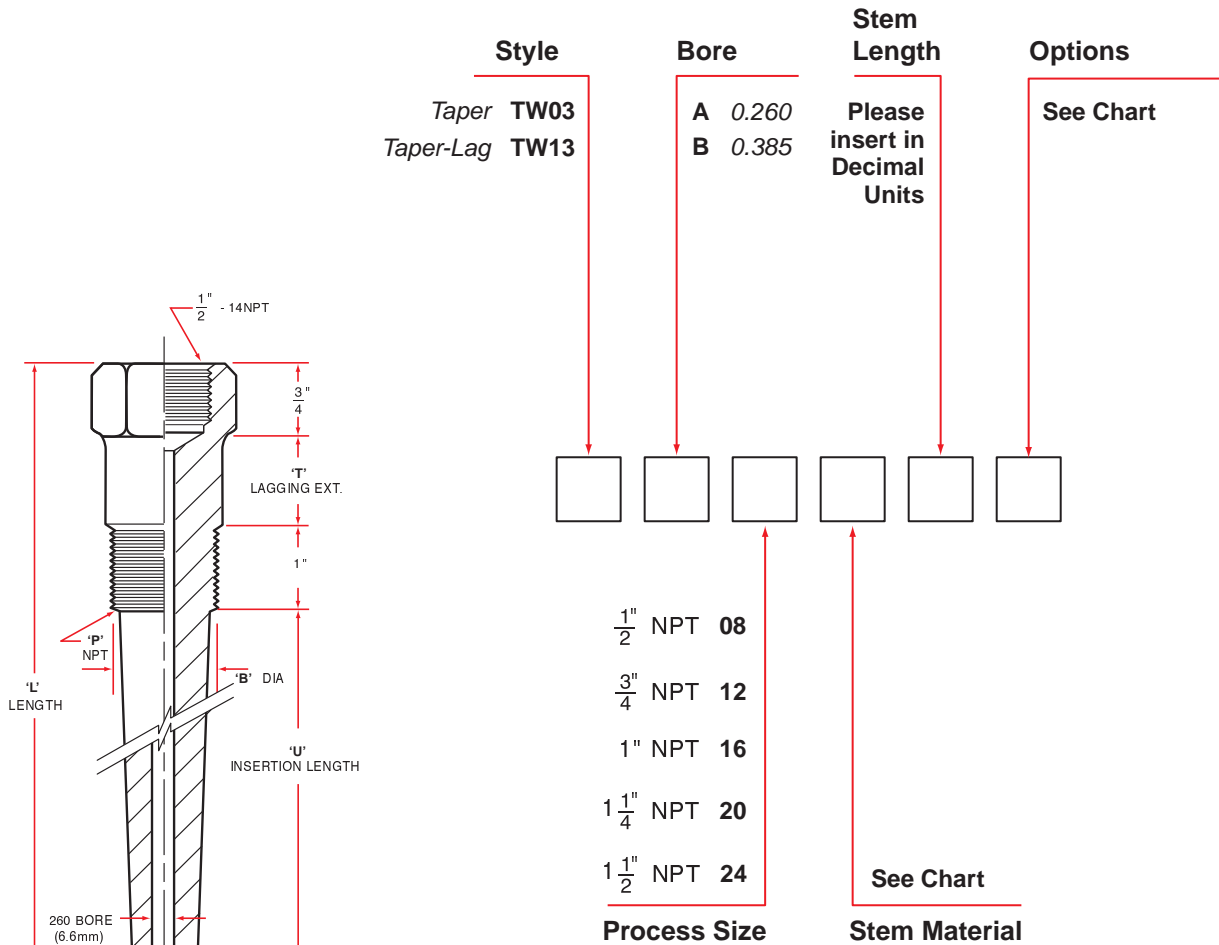


Thermowells Threaded Tapered



'B' Diameter:

- 1/2" NPT- 5/8"
- 3/4" NPT- 7/8"
- 1" NPT- 1 1/16"

Example:

- TW13 Lagged Tapered
- A 0.260
- 12 3/4" NPT
- L 316SS
- 06 6" Stem
- B SS Plug & Chain

***Note for lag (T)**

if (L) is over 6", the industry std. for (T) is 3"
 if (L) is under 6", the industry std. for (T) is 2"

Material Chart:

- A Brass
 - D Carbon Steel
 - E A105
 - F F11
 - G F22
 - H 304
 - J 304/L
 - L 316
 - M 316/L
 - R Monel
 - T Titanium
 - U Hast. C
- See full chart for more material codes.

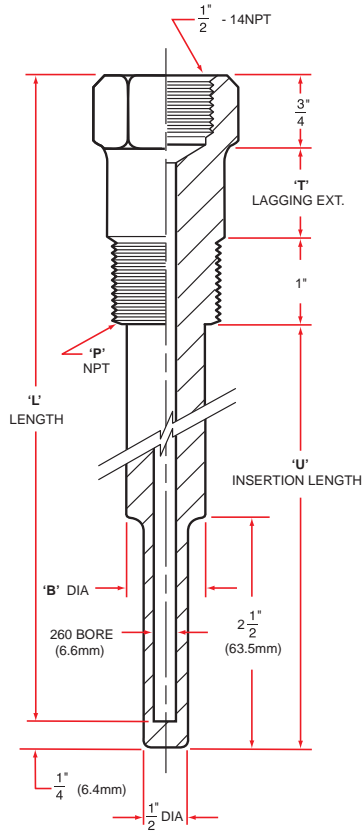


1-877-MAC-WELD (622-9353)

Tel: (519) 332-1388 Fax: (519) 332-3280

Mac-Weld.com

Thermowells *Threaded Stepped*



Style
 Stepped TW01
 Stepped Lag TW11

Bore
 A 0.260
 B 0.385

Stem Length
 Please insert in Decimal Units

Options
 See Chart

□ □ □ □ □ □

1/2" NPT 08
 3/4" NPT 12
 1" NPT 16
 1 1/4" NPT 20
 1 1/2" NPT 24

Process Size

See Chart
Stem Material

'B' Diameter:

- 1/2" NPT- 5/8"
- 3/4" NPT- 3/4"
- 1" NPT- 7/8"

Example:

TW11 Lagged Stepped
 A 0.260
 12 3/4" NPT
 L 316SS
 06 6" Stem
 B SS Plug & Chain

***Note for lag (T)**

if (L) is over 6", the industry std. for (T) is 3"
 if (L) is under 6", the industry std. for (T) is 2"

Material Chart:

- A Brass
 - D Carbon Steel
 - E A105
 - F F11
 - G F22
 - H 304
 - J 304/L
 - L 316
 - M 316/L
 - R Monel
 - T Titanium
 - U Hast. C
- See full chart for more material codes.



1-877-MAC-WELD (622-9353)

Tel: (519) 332-1388 Fax: (519) 332-3280

Mac-Weld.com

