

SystempaK (Analog/Single Case)

Monitor Switch Module

Model J-SSP 60

Introduction

The Monitor Switch Module (J-SSP 60) is a signal conversion module housed in a single case and issues an alarm contact output when an input signal exceeds the internal pre-set value by comparing the input with the pre-set value.

Complete isolation is employed between the power, input, and output circuits.

Specification

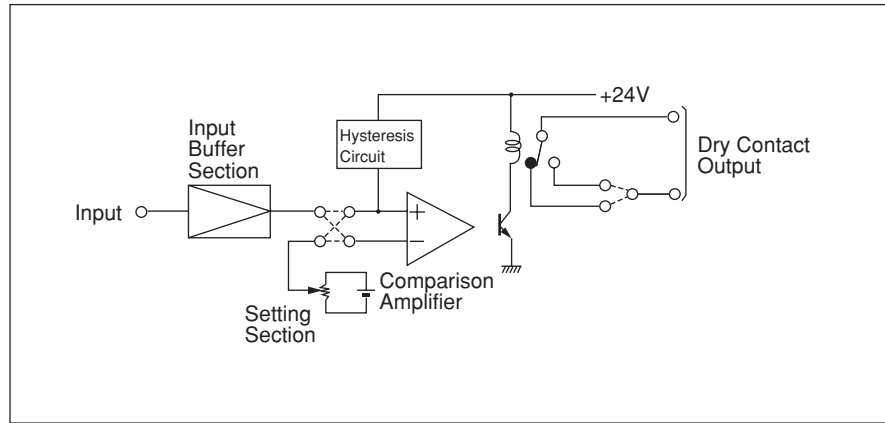
- Type
 - One PV, two alarm outputs
- Input signal :
 - 1 to 5V DC or 4 to 20mA DC
- Input bias current :
 - 1 μ A or less (voltage)
- Input impedance :
 - 250 Ω (current)
- Output signal :
 - Dry contact SPST
 - (two pairs for two-point alarm)
- Output contact capacity :
 - 30V DC, 1A (resistive load)
 - 100V AC, 0.3A (resistive load)
- Number of alarm points:
 - Two points
- Alarm action (by jumper setting) :
 - Hi/Lo, Hi/HiHi, Lo/LoLo
- Relay coil (by jumper setting) :
 - Normally de-energized or Normally energized
- Relay contact (by jumper setting):
 - Normally open or Normally close
- Alarm setting range :
 - 0 to 100%FS
- Dead band:
 - 0.25% or less
- Setting accuracy :
 - $\pm 0.25\%$ FS
- Insulation resistance :
 - 500V DC 100M Ω minimum
 - Between each terminal of ;
 - Input - Output - GND - DC Power supply
- Withstand voltage :
 - 1000V AC 1 min.
 - Between each terminal of ;
 - Input - Output - GND - DC Power Supply



- Power supply :
 - 24V DC $^{+10}_{-15}\%$
- Current consumption :
 - 80mA max.
 - (at 24V DC) (two-point alarm)
- Ambient temperature :
 - Normal operating conditions;
 - 5 to 45 $^{\circ}$ C
 - Operating limit ;
 - 5 to 55 $^{\circ}$ C
- Ambient humidity:
 - 0 to 90%RH
- Mounting :
 - Panel, Wall, DIN rail mounting
- Color of front mask :
 - Black
- Weight :
 - 400g
- Operating influence :
 - Supply voltage effect ;
 - $\pm 0.1\%$ FS/24V DC $^{+10}_{-15}\%$
 - Temperature effect ;
 - $\pm 0.25\%$ FS/10 $^{\circ}$ C

Theory of Operation

An input provides a high common noise rejection by the high impedance amplifier in the Input Buffer circuit, and the Filter circuit removes any AC noise, resulting in stable 1 to 5V DC signal. The Comparison Amplifier compares an input signal with the pre-set signal (1 to 5V DC) to actuate the relay. The Hysteresis circuit prevents chattering when restoring the Comparison Amplifier after its operation.



Model Number Table

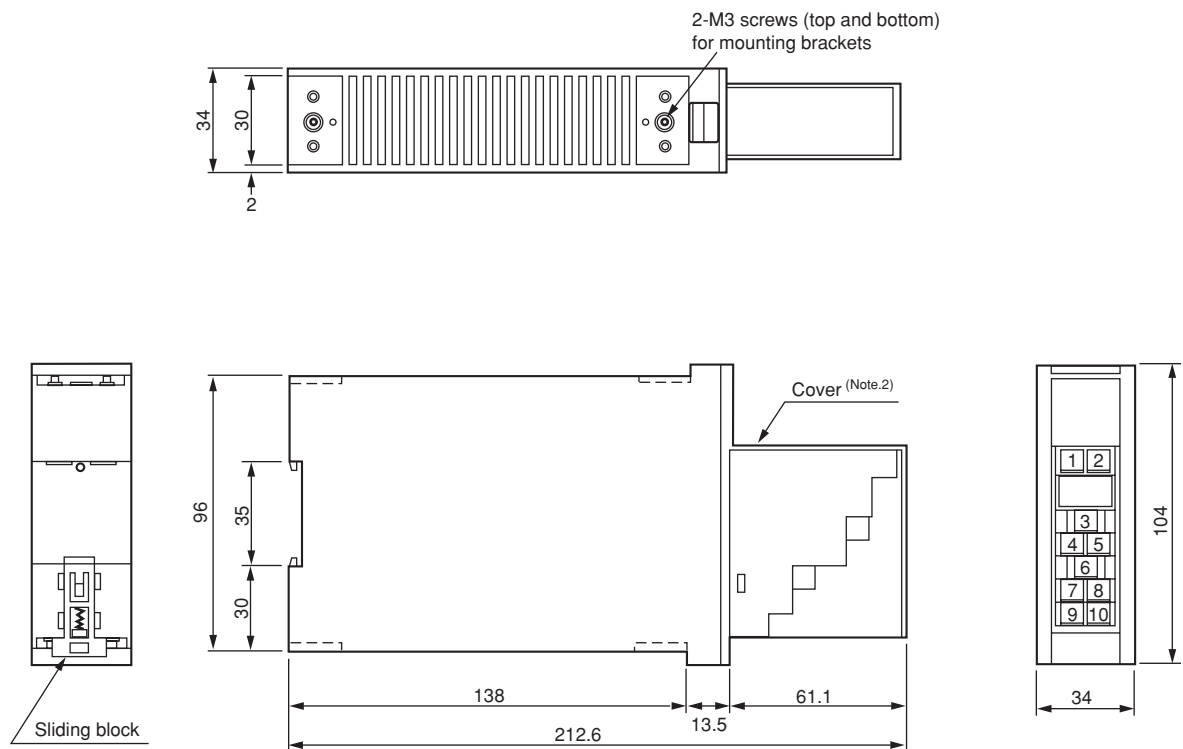
Basic Model Number	Selections		Options	Description
	I	II	I	
J-SSP60				Monitor Switch Module (Analog Type)
	X			w/o Varnish Coating
	C			w/ Varnish Coating
		-1		Input Signal: 1 to 5V DC
		-2		Input Signal: 4 to 20mA DC
			X	(no selections)
			-0	w/o Test Report
			-1	w/ Test Report

Example: J-SSP60X-2X-0

Note) When ordering, specify the following alarm output type and Hi or Lo alarm setting value (%)

Output type	Relay (at normal operation)	Ooutput contact (at normal operation)
Standard	De-energized	Open
A	De-energized	Closed
B	Energized	Closed
C	Energized	Open

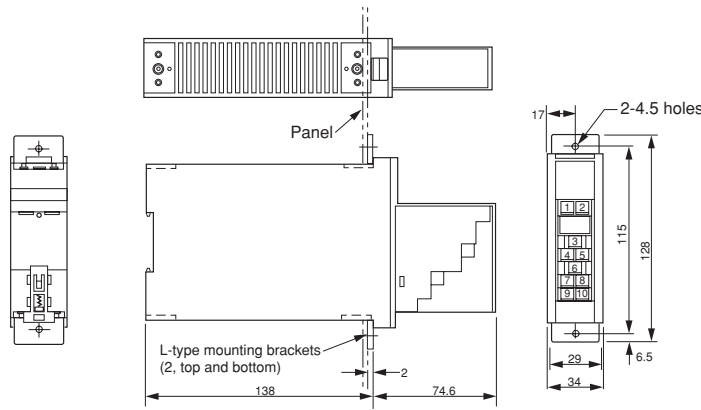
Dimensions and Wirings



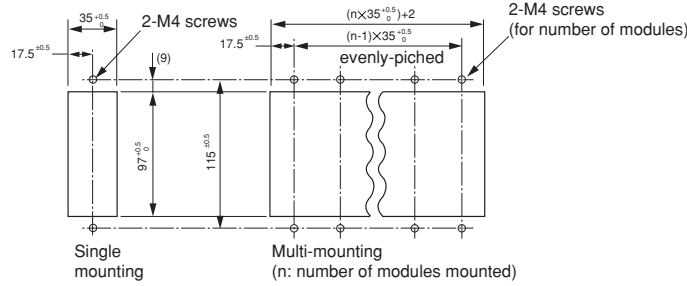
No.	Description
1	----- (Note.1)
2	Input (-) (Note.1)
3	Input (+)
4	Output 1
5	Output 1
6	Output 2
7	Output 2
8	24V (PS +)
9	GND
10	0V (PS -)

- Note : 1) 250 Ω resistor is added for current input.
 2) Do not remove the cover during operation.
 3) Terminal screws : M3.5
 4) Use the terminal clamp with insulation sheath.

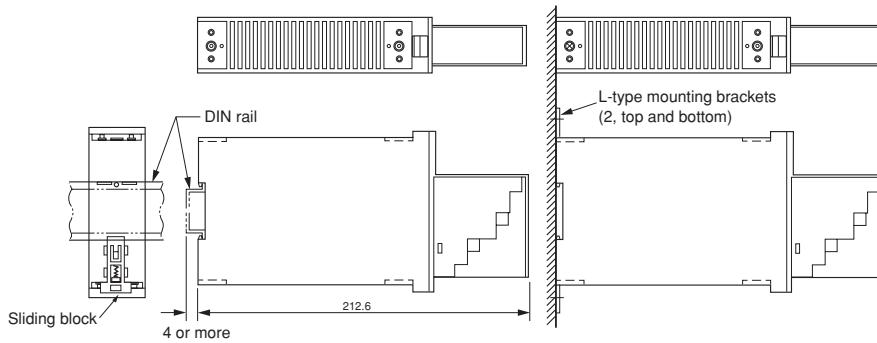
Panel-mounting



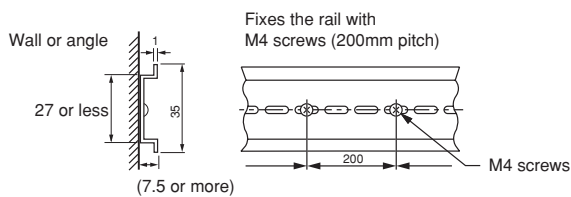
Panel-cutout



DIN rail mounting



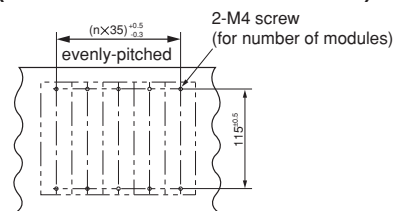
DIN rail mounting



Recommended DIN rail and end fittings

Wall-mounting

(n: number of modules mounted)



Rail : DAS-4 [Toyo Giken made]
End fittings : ATO-29 [Toyo Giken made]

Please read the "Terms and Conditions" from the following URL before ordering or use:

<http://www.azbil.com/products/bi/order.html>

Specifications are subject to change without notice.

azbil

Azbil Corporation

Advanced Automation Company

1-12-2 Kawana, Fujisawa

Kanagawa 251-8522 Japan

URL: <http://www.azbil.com/>

2nd edition: Jan. 2013

No part of this publication may be reproduced or duplicated without the prior written permission of Azbil Corporation.