



## 3/2-way Solenoid Valve for high temperatures, G 1/4

- Seat valve direct acting
- Media temperature up to +180 °C
- Push-over solenoid system
- For gases and fluids

Type 0355 can be combined with...



**Type 2508**  
Cable plug



**Type 1078**  
Timer unit



**Type 2511**  
ASI cable plug

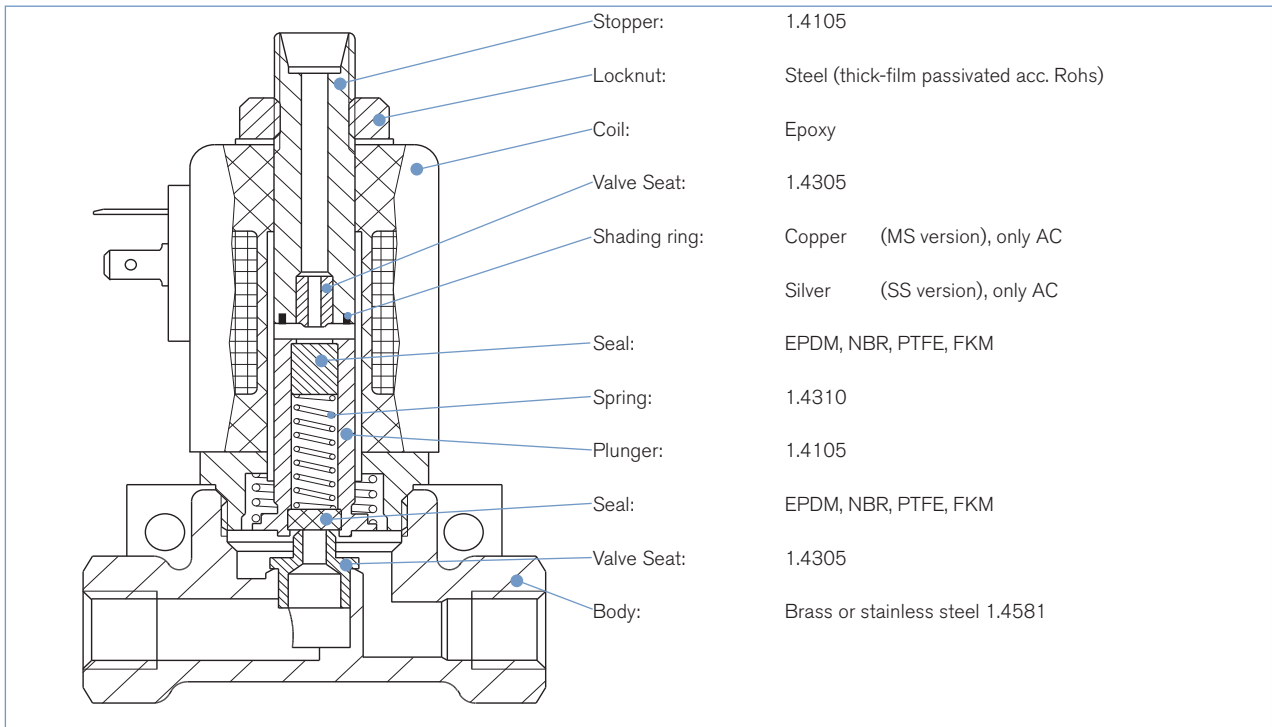
Direct-acting plunger solenoid Type 355 for neutral gases and liquids.  
Also suitable for high temperatures, such as hot water, hot air, steam.

Technical data	
<b>Orifice</b>	DN 2.0 - 4.0
<b>Body materials</b>	Brass with stainless steel seat 1.4305, Stainless steel 1.4581
<b>Coil material</b>	Epoxy
<b>Coil insulation class</b>	H
<b>Inner part of valve</b>	Stainless steel
<b>Seal material</b>	NBR, FKM, PTFE, EPDM
<b>Media</b>	NBR EPDM FKM PTFE Neutral fluids, hydraulic oil, oil without additives Oil and fat-free fluids Per-solutions, hot oils with additives Steam, organic solvents
<b>Media temperature</b>	NBR -10 to + 90 °C EPDM -40 to +130 °C FKM 0 to +130 °C PTFE -40 to +180 °C
<b>Ambient temperature</b>	Max. +55 °C
<b>Voltage tolerance</b>	±10%
<b>Duty cycle</b>	100% continuous rating
<b>Electrical connection</b>	Tag connector acc. to DIN EN 175301-803 Form A (previously DIN 43650) for cable plug Type 2508 (supplied as standard)
<b>Protection class</b>	IP 65 with cable plug
<b>Installation</b>	As required, preferably with actuator upright

### Power consumption

Inrush AC [VA]	Hold (hot coil)	
	AC [VA/W]	DC [W]
35-40	16/10	ca. 12

Materials



Ordering chart for valves (other versions on request)

Brass or stainless steel body, all valves with cable plug

Circuit function	Port connection	Orifice [mm]	Kv value water [m <sup>3</sup> /h]	Pressure range [bar]	Seal material	Item no. per voltage/frequency [V/Hz]			
						024/DC	024/50	230/50	
<b>C</b> 3/2-way, valve NC 	<b>Brass body</b>								
	G 1/4	2.0	0.11	0-16	EPDM	–	–	066 007	
					NBR	043 089	026 069	068 078	
					PTFE	062 188	049 998	049 025	
		3.0	0.2	0-10	FKM	064 392	–	126 056	
					NBR	068 557	017 668	061 174	
					PTFE	052 665	067 817	054 885	
	4.0	0.4	0-5	FKM	–	–	046 655		
				NBR	061 104	019 095	061 019		
				PTFE	052 078	065 552	058 403		
	<b>Stainless steel body</b>								
	G 1/4	4.0	0.4	0-5	PTFE	–	–	021 253	
FKM					–	–	066 759		

• Valves with brass body have a pressed in stainless steel seat 1.4305.

**i** Further versions on request

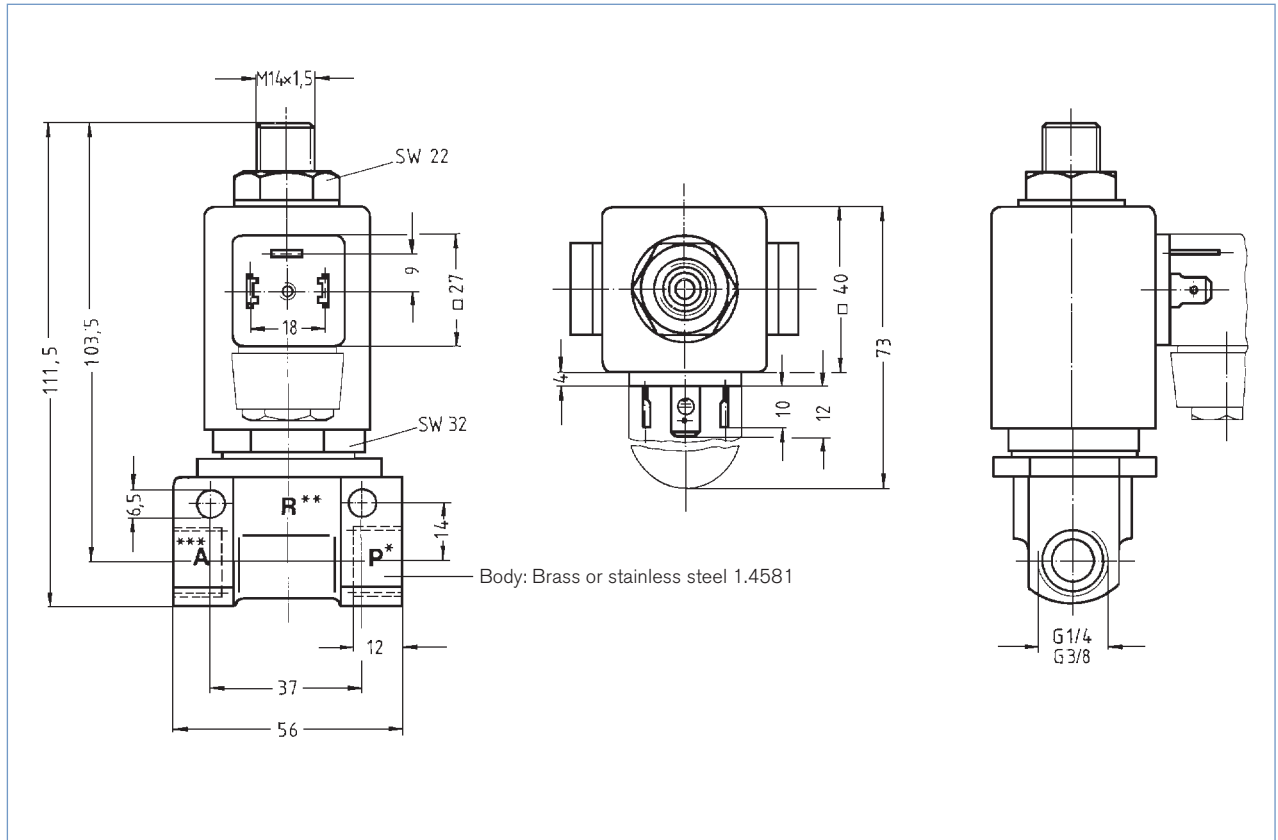
**Circuit function**  
Circuit functions D and E on request

**Material**  
Further valve combinations (body and seal material)

**Voltage**  
110/50, 240/50, non-standard voltages

**Approvals**  
UL, UR, CSA

## Dimensions [mm]



To find your nearest Bürkert facility, click on the orange box →

[www.burkert.com](http://www.burkert.com)In case of special application conditions,  
please consult for advice.Subject to alteration.  
© Christian Bürkert GmbH & Co. KG

0810/2\_EU-en\_00891628